



Caliper Index

Caliper Fihristi

» CALIPER TYPE 224/229
CALIPER TIPLERİ

KP 320 » KNORR TYPE 230/275
CALIPER

SB 5.../SN 5... 230-241
SB 6.../SB 7...
SN 6.../SN 7... 242-275
SK 7...
SL 7.../SM 7...

KP 320 » WABCO TYPE 276/304
CALIPER

17.5"/19.5"/22.5" SINGLE PISTON 276-289
19.5"/22.5" DOUBLE PISTON 290-295
MAXX 22 296-301
W 1000 - 1600 VG 302-304

KP 330 » MERITOR TYPE 305/366
CALIPER

ELSA 1/RADIAL 305-312
ELSA 2/RADIAL 313-321
ELSA 195-225 322-328
DX 195 329-335
DX 225 336-342
DUCO 343-351
LISA 352-356
D3 357-366

KP 350 » HALDEX TYPE 367/392
CALIPER

MARK II-III-IV 367-378
MODUL X 379-388
MODUL T 389-392

KP 360 » BPW TYPE 393/398
CALIPER

KP 370 » Z - CAM 399-403
IVECO 404-409
BENDIX 410
HYDRAULIC 411-413
BREMBO 414



www.hd.com.tr

« KNORR TYPE CALIPER »

SB 5.../SN 5...

SB 6.../SB 7...
SN 6.../SN 7...
SK 7...
SL 7.../ SM 7...

« WABCO TYPE CALIPER »

17.5" - 19.5" - 22.5"
SINGLE PISTON

19.5" - 22.5"
DOUBLE PISTON

MAX 22

W 1000 - 1600 VG

« MERITOR TYPE CALIPER »

ELSA 1
RADIAL

ELSA 2
RADIAL

ELSA 195
ELSA 225

DX 195

DX 225

DUCO
•B DUCO
•C DUCO
•D DUCO
AXIAL
•D DUCO
RADIAL
•LE DUCO

LISA
•C LISA
•D LISA

D3

« HALDEX TYPE CALIPER »

MARK II
MARK III
MARK IV

MODUL X

MODUL T

« BPW TYPE CALIPER »

« Z - CAM - IVECO - HYDRAULIC - BENDIX - BREMBO »

17.5" ...

KP 320 0186 >> KOMPLE KALİPER - R - 17.5"
CALIPER COMPLETE - R - 17.5"



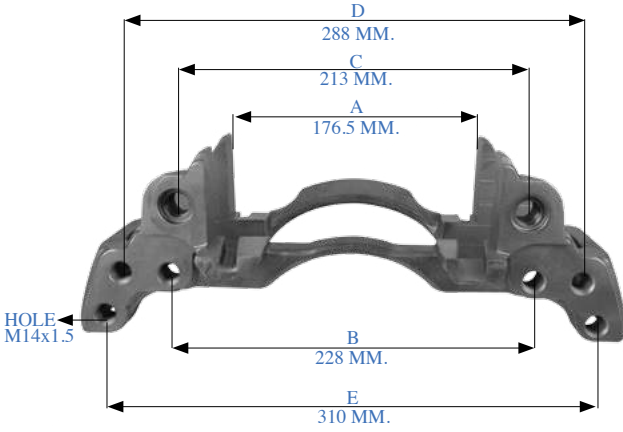
40175050

KP 320 0187 >> KOMPLE KALİPER - L - 17.5"
CALIPER COMPLETE - L - 17.5"

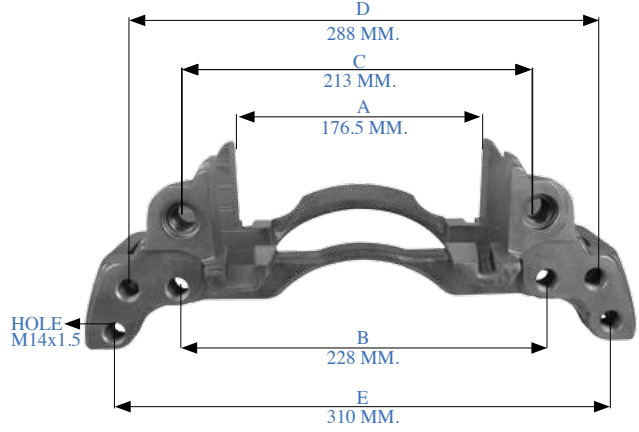


40175049

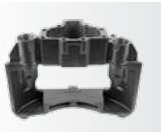
KP 320 0188 >> BALATA TAŞIYICI - L - 17.5"
CARRIER - L - 17.5"



KP 320 0189 >> BALATA TAŞIYICI - R - 17.5"
CARRIER - R - 17.5"



KP 320 0265 >> KALİPER GÖVDESİ - R - 17.5"
CALIPER BODY - R - 17.5"



KP 320 0266 >> KALİPER GÖVDESİ - L - 17.5"
CALIPER BODY - L - 17.5"



KP 320 0190 >> ÜST KAPAK - R - L
HEAT COVER - R - L



KP 320 0219 >> KOMPLE KALİPER - R - 22.5"
CALIPER COMPLETE - R - 22.5"



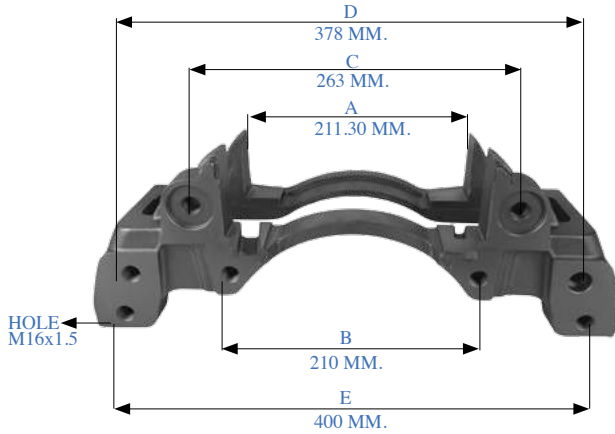
3080005120 - 40225016

KP 320 0220 >> KOMPLE KALİPER - L - 22.5"
CALIPER COMPLETE - L - 22.5"

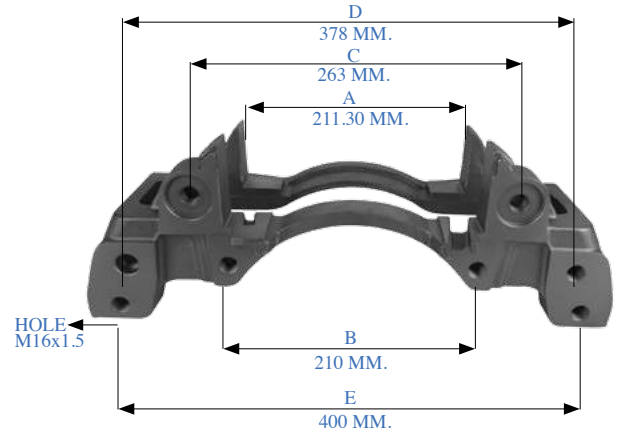


3080005020 - 40225015

KP 320 0221 >> BALATA TAŞIYICI - R - 22.5"
CARRIER - R - 22.5"



KP 320 0222 >> BALATA TAŞIYICI - L - 22.5"
CARRIER - L - 22.5"



KP 320 0267 >> KALİPER GÖVDESİ - R - 22.5"
CALIPER BODY - R - 22.5"



KP 320 0268 >> KALİPER GÖVDESİ - L - 22.5"
CALIPER BODY - L - 22.5"



SABCO

KP 320 0269 >> KOMPLE KALİPER - R-
CALİPER COMPLETE - R -

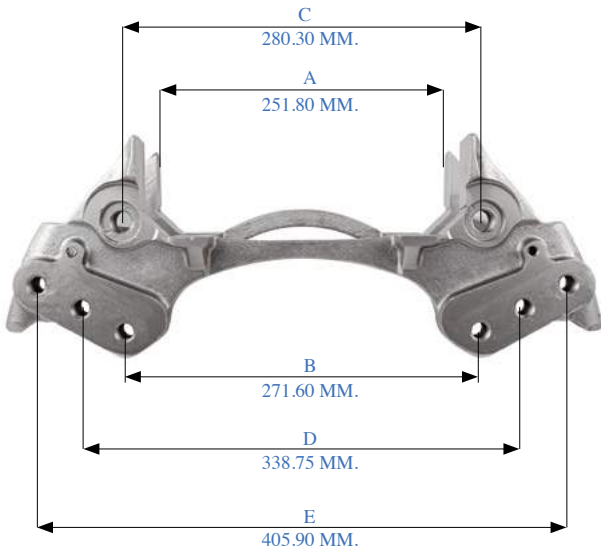


KP 320 0270 >> KOMPLE KALİPER - L-
CALİPER COMPLETE - L -

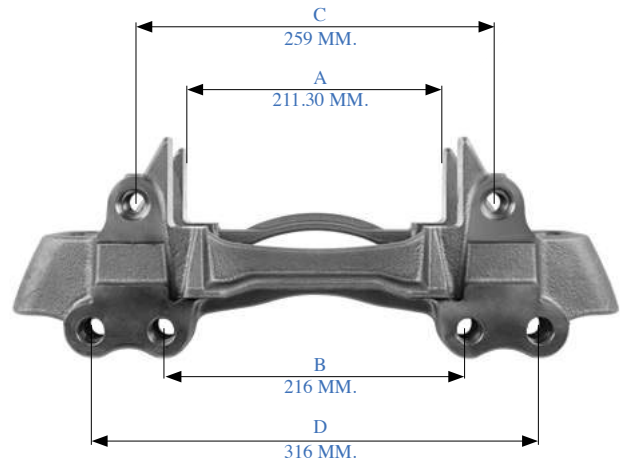


BALATA TAŞIYICI CARRIERS

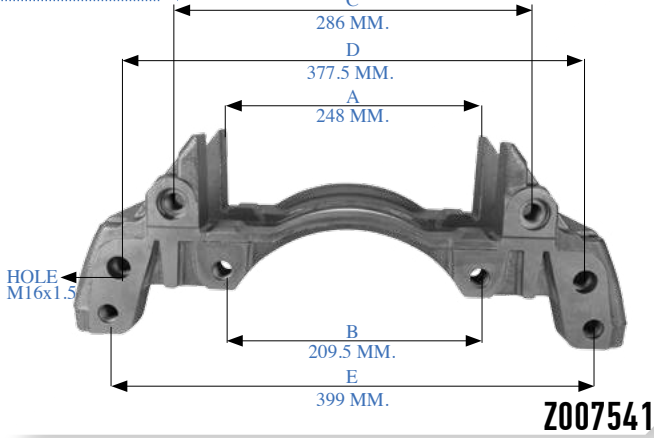
KP 320 0271 >> D3 BALATA TAŞIYICI
D3 CARRIER



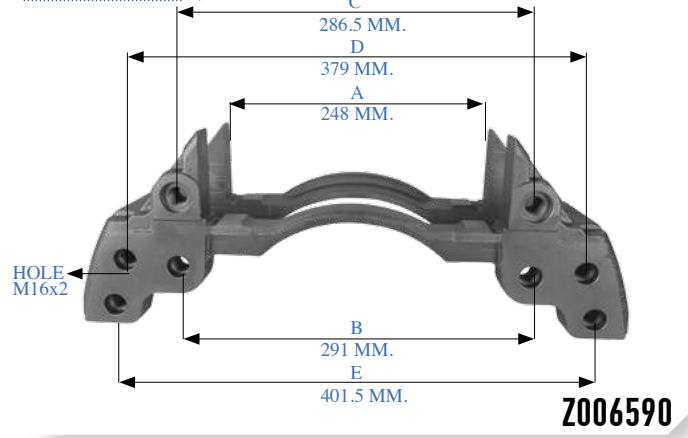
KP 320 0272 >> HLDX MODUL T BALATA TAŞIYICI
HLDX MODUL T CARRIER



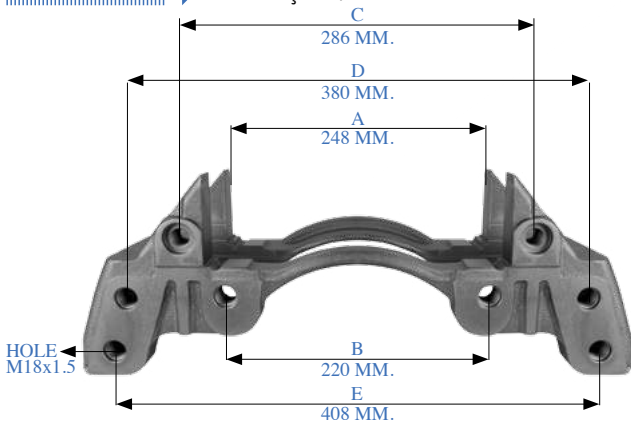
KP 320 0273 >> BALATA TAŞIYICI / CARRIER



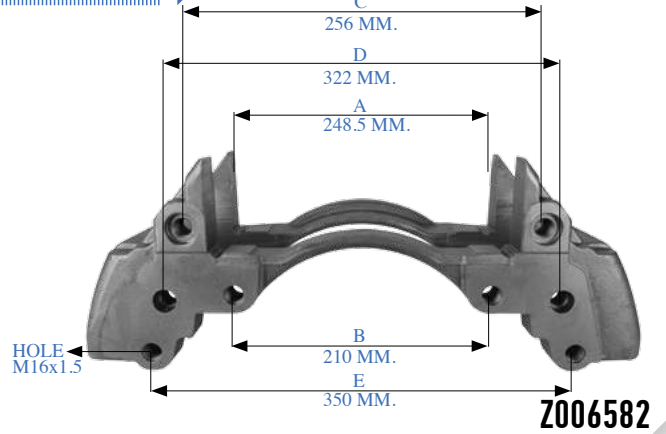
KP 320 0274 >> BALATA TAŞIYICI / CARRIER



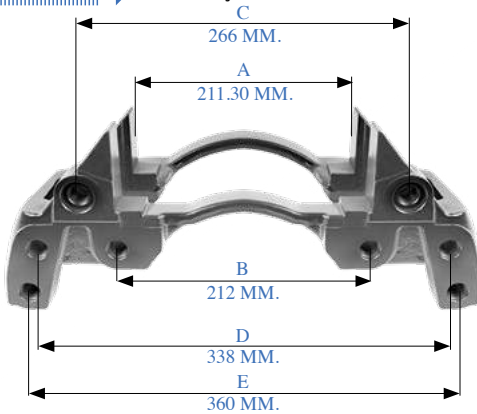
KP 320 0275 >> BALATA TAŞIYICI / CARRIER



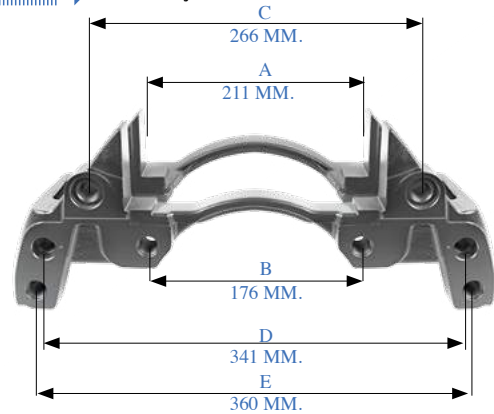
KP 320 0276 >> BALATA TAŞIYICI / CARRIER



KP 320 0277 >> BALATA TAŞIYICI / CARRIER



KP 320 0278 >> BALATA TAŞIYICI / CARRIER





SN 5... / SB 5...

www.hd.com.tr

SN 5... / SB 5...




KP 320 0279 >> TAMİR SETİ / CALIPER SET


PARÇA NO PART NUMBER	STOK KODU STOCK CODE	PARÇA ADI PART NAME	ÖLÇÜ DIMENSION	ADET PIECE
1	KP 320 0077	AYAR MEKANİZMASI / ADJUSTING MECHANISM SHAFT		1
2	KP 320 0085	AYAR MEKANİZMASI PİYON DİŞLİ / PINION GEAR		1
3	KP 320 0084	DÜRBÜN TAKIMI / SHAFT HOUSING		1
4	KP 320 0083	MASURA BİLYA YATAĞI / LEVER		1
5	KP 320 0020	MASURA BİLYA / ROLLER BEARING		1
6	KP 320 0078	MEKANİZMA ZİNCİRİ 12 BAKLA / CHAIN 12 LINK		1
7	KP 320 0091	TOZ LASTİK TAKIMI / CALIPER DUST RUBBER SET	74.30 MM.	1
8	KP 320 0056	AYAR CİVATASI / CALIBRATION BOLT		1
9	KP 320 0036	PERNO TAKIMI/ PIN SET		1
10	KP 320 0096	TAPA TAKIMI / CALIPER PIN CAP SET		1

KP 320 0010 >> TAMİR SETİ / CALIPER SET




KP 320 0083 >> MASURA BİLYA YATAĞI / LEVER



KP 320 0077 >> AYAR MEKANİZMASI / ADJUSTING MECHANISM SHAFT



KP 320 0084 >> DÜRBÜN TAKIMI / SHAFT HOUSING



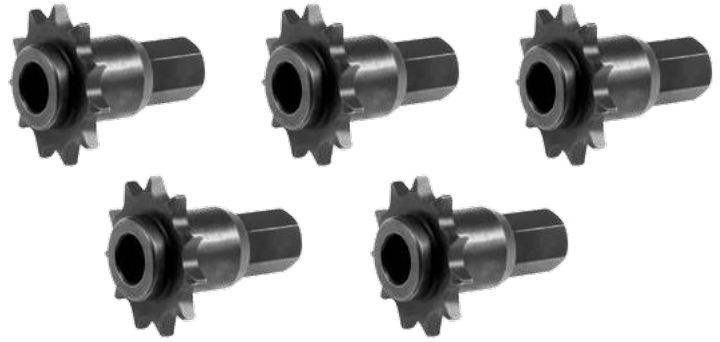
KP 320 0056 >> AYAR CİVATASI / CALIBRATION BOLT



KP 320 0085 >> AYAR MEKANİZMASI PİYON DİŞLİ
PINION GEAR



KP 320 0086 >> PİYON DİŞLİ TAKIMI / PINION GEAR SET



KP 320 0020 >> MASURA BİLYA / ROLLER BEARING



KP 320 0075 >> AYAR MEKANİZMA DİŞLİSİ TAKIMI / MECHANISM GEAR SET





KP 320 0088 > PLASTİK KAPAK SENSÖRSÜZ
PLASTIC COVER WITHOUT SENSOR



KP 320 0089 > PLASTİK KAPAK 2 KABLOLU
PLASTIC COVER 2 CABLES



KP 320 0026 > PLASTİK KAPAK 3 KABLOLU
PLASTIC COVER 3 CABLES



KP 320 0280 > PLASTİK KAPAK ORİNGİ
PLASTIC COVER GASKET



KP 320 0053 > KALİPER GÖVDESİ TAPA TAKIMI
CALIPER BODY CAP SET



KP 320 0281 > PLASTİK KAPAK TAPASI
PLASTIC COVER CAP



KP 320 0078 > MEKANİZMA ZİNCİRİ 12 BAKLA
CHAIN 12 LINK



KP 320 0282 > PLASTİK KAPAK KEÇE TAKIMI
PLASTIC COVER SEAL SET




KP 320 0090 ➤ TOZ LASTİK VE PERNO TAKIMI / PIN SET
DUST RUBBER SET & PIN SET


PARÇA NO PART NUMBER	STOK KODU STOCK CODE	PARÇA ADI PART NAME	ÖLÇÜ DIMENSION	ADET PIECE
1	KP 320 0283	PISTONLU TOZ LASTİĞİ THURUT PART WITH BELOW	74.30 MM.	1
2	KP 320 0284	DÜRBÜN TOZ LASTİĞİ SHAFT BODY DUST RUBBER		1
3	KP 320 0285	PERNO KÖRÜKLÜ LASTİK KIRMIZI PIN BELLOW (RED)		1
4	KP 320 0286	PERNO KÖRÜKLÜ LASTİK SİYAH PIN BELLOW (BLACK)		1
5	KP 320 0287	BURÇ / BUSH	18x16x10	1
6	KP 320 0288	PERNO BURCU / PIN BUSH	40x34x50	1
7	KP 320 0289	KELEPÇE / PIN BELLOW CLAMP		1
8	KP 320 0290	KÖRÜKLÜ LASTİK YÜZÜĞÜ PIN RING PLASTIC	49x36x5	1

KP 320 0091 ➤ TOZ LASTİK TAKIMI / CALIPER DUST RUBBER SET


I1370760065

KP 320 0092 ➤ TAPA TAKIMI / CALIPER PIN CAP SET


I1350470061

KP 320 0093 ➤ TOZ LASTİK TAKIMI / CALIPER DUST RUBBER SET

KP 320 0094 ➤ TAPA TAKIMI / CALIPER PIN CAP SET

KP 320 0095 ➤ TOZ LASTİK TAKIMI
CALIPER DUST RUBBER SET

KP 320 0096 ➤ TAPA TAKIMI
CALIPER PIN CAP SET


I139769F0063

KP 320 0097 ➤ TAPA TAKIMI
CALIPER PIN CAP SET


KP 320 0036 >> PERNO TAKIMI / PIN SET

II369100062-II328090062

PARÇA NO PART NUMBER	STOK KODU STOCK CODE	PARÇA ADI PART NAME	ÖLÇÜ DIMENSION	ADET PIECE
1	KP 320 0291	PERNO / PIN	34x80 MM.	1
2	KP 320 0292	PERNO / PIN	36x145 MM.	1
3	KP 320 0293	PERNO CİVATASI / PIN BOLT	85 MM./16x1,5	1
4	KP 320 0294	PERNO CİVATASI / PIN BOLT	150 MM./16x1,5	1
5	KP 320 0285	PERNO KÖRÜKLÜ LASTİK KIRMIZI PIN BELLOW (RED)		1
6	KP 320 0286	PERNO KÖRÜKLÜ LASTİK SİYAH PIN BELLOW (BLACK)		1
7	KP 320 0295	PERNO BURCU / PIN BUSH	40x36x82	1
8	KP 320 0288	PERNO BURCU KAUCUK PIN BUSH	40x34x50	1
9	KP 320 0289	KELEPÇE / PIN BELLOW CLAMP		1
10	KP 320 0290	PERNO KÖRÜKLÜ LASTİK YÜZÜĞÜ PLASTİK PIN RING PLASTIC	49x36x5	1

KP 320 0098 >> PERNO TAKIMI / PIN SET

K000935
KP 320 0099 >> PERNO TAKIMI / PIN SET

II368470064
KP 320 0100 >> TAPA TAKIMI / CALIPER PIN CAP SET

K001301
KP 320 0101 >> PERNO TAKIMI / PIN SET


KP 320 0032 >> PERNO TAKIMI / PIN SET


K001532

PARÇA NO PART NUMBER	STOK KODU STOCK CODE	PARÇA ADI PART NAME	ÖLÇÜ DIMENSION	ADET PIECE
1	KP 320 0325	PERNO / PIN	32x80 MM.	1
2	KP 320 0326	PERNO / PIN	36x114 MM.	1
3	KP 320 0327	PERNO CİVATASI / PIN BOLT	80 MM./16x1,5	1
4	KP 320 0293	PERNO CİVATASI / PIN BOLT	85 MM./16x1,5	1
5	KP 320 0285	PERNO KÖRÜKLÜ LASTİK KIRMIZI PIN BELLOW (RED)		1
6	KP 320 0104	PERNO LASTİKLİ BURÇ UZUN PIN RUBBER BUSH	35 MM.	1
7	KP 320 0295	PERNO BURCU / PIN BUSH	40x36x82	1
8	KP 320 0331	PERNO TAPASI / PIN CAP		1
9	KP 320 0290	KÖRÜKLÜ LASTİK YÜZÜĞÜ PIN RING PLASTIC	49x36x5	1
10	KP 320 0329	PERNO LASTİKLİ BURÇ YÜZÜĞÜ PIN BOLT RING		1
11	KP 320 0332	O RİNG / O RING		1

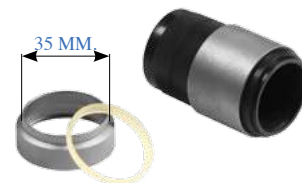
KP 320 0102 >> PERNO TAKIMI / PIN SET

KP 320 0296 >> PERNO TAKIMI / PIN SET


K001274

KP 320 0033 >> PERNO TAKIMI / PIN SET

KP 320 0103 >> PERNO TAKIMI / PIN SET

KP 320 0104 >> PERNO LASTİKLİ BURÇ UZUN
PIN RUBBER BUSH LONG



KP 320 0297 ➤ TAMİR SETİ / CALIPER SET


PARÇA NO PART NUMBER	STOK KODU STOCK CODE	PARÇA ADI PART NAME	ÖLÇÜ DIMENSION	ADET PIECE
1	KP 320 0077	AYAR MEKANİZMASI / ADJUSTING MECHANISM SHAFT		1
2	KP 320 0079	AYAR MEKANİZMASI PİNYON DİŞLİ / PINION SHAFT		1
3	KP 320 0106	DÜRBÜN TAKIMI / SHAFT HOUSING SET		1
4	KP 320 0105	MASURA BİLYA YATAĞI / LEVER		1
5	KP 320 0080	MASURA BİLYA / ROLLER BEARING		1
6	KP 320 0107	MEKANİZMA ZİNCİRİ 14 BAKLA / CHAIN 14 LINK		1
7	KP 320 0066	TOZ LASTİK TAKIMI / CALIPER DUST RUBBER SET	69.20 MM	1
8	KP 320 0056	AYAR CİVATASI / CALIBRATION BOLT		1
9	KP 320 0028	SAÇ KAPAK / SHEET METAL CAP		1
10	KP 320 0040	PERNO TAKIMI / PIN SET		1
11	KP 320 0110	SAÇ KAPAK KEÇESİ / SEAL		1

KP 320 0011 ➤ KALİPER TAKIMI / CALIPER SET




KP 320 0105 >> MASURA BİLYA YATAĞI / LEVER



KP 320 0077 >> AYAR MEKANİZMASI / ADJUSTING MECHANISM SHAFT



KP 320 0106 >> DÜRBÜN TAKIMI / SHAFT HOUSING SET



KP 320 0056 >> AYAR CİVATASI / CALIBRATION BOLT



KP 320 0079 >> AYAR MEKANİZMASI PİNYON DİŞLİ
PINION GEAR



KP 320 0108 >> AYAR MEKANİZMASI PİNYON DİŞLİ TAKIMI
PINION GEAR SET



KP 320 0080 >> MASURA BİLYA / ROLLER BEARING



KP 320 0107 >> MEKANİZMA ZİNCİRİ 14 BAKLA
CHAIN 14 LINK





KP 320 0109 >> PLASTİK KAPAK SENSÖRSÜZ
PLASTIC COVER WITHOUT SENSOR



KP 320 0027 >> PLASTİK KAPAK 3 KABLOLU
PLASTIC COVER 3 CABLES



KP 320 0111 >> PLASTİK KAPAK 2 KABLOLU
PLASTIC COVER 2 CABLES



KP 320 0298 >> PLASTİK KAPAK ORİNGİ
PLASTIC COVER GASKET



KP 320 0299 >> SAÇ KAPAK
SHEET METAL CAP



KP 320 0048 >> CİRCİR AYAR TAKIMI 38 MM.
ADJUSTING MECHANISM CAP SET 38 MM.



K000029

KP 320 0028 >> SAÇ KAPAK
SHEET METAL CAP



KP 320 0300 >> SAÇ KAPAK KEÇE TAKIMI
SHEET METAL CAP SEAL SET



KP 320 0112 ➤ PERNO VE TOZ LASTİK TAKIMI / CALIPER DUST RUBBER SET


PARÇA NO PART NUMBER	STOK KODU STOCK CODE	PARÇA ADI PART NAME	ÖLÇÜ DIMENSION	ADET PIECE
1	KP 320 0301	PİSTONLU TOZ LASTİĞİ THURUT PART WITH BELOW	69.20 MM.	1
2	KP 320 0302	DÜRBÜN TOZ LASTİĞİ SHAFT BODY DUST RUBBER		1
3	KP 320 0285	PERNO KÖRÜKLÜ LASTİK KIRMIZI PIN BELLOW (RED)		1
4	KP 320 0286	PERNO KÖRÜKLÜ LASTİK SİYAH PIN BELLOW (BLACK)		1
5	KP 320 0287	BURÇ / BUSH	18x16x10	1
6	KP 320 0288	PERNO BURCU / PIN BUSH	40x34x50	1
7	KP 320 0289	KELEPÇE / PIN BELLOW CLAMP		1
8	KP 320 0290	KÖRÜKLÜ LASTİK YÜZÜĞÜ PIN RING PLASTIC	49x36x5	1

KP 320 0066 ➤ TOZ LASTİK TAKIMI
CALIPER DUST RUBBER SET

KP 320 0013 ➤ TOZ LASTİK TAKIMI
CALIPER DUST RUBBER SET


K001929

KP 320 0040 ➤ PERNO TAKIMI / PIN SET


K001928

PARÇA NO PART NUMBER	STOK KODU STOCK CODE	PARÇA ADI PART NAME	ÖLÇÜ DIMENSION	ADET PIECE
1	KP 320 0303	PERNO / PIN	29,8x71,5 MM.	1
2	KP 320 0304	PERNO / PIN	30x99 MM.	1
3	KP 320 0305	PERNO CİVATASI / PIN BOLT	75 MM./16x1,5	1
4	KP 320 0306	PERNO CİVATASI / PIN BOLT	105 MM./16x1,5	1
5	KP 320 0307	PERNO KÖRÜKLÜ LASTİK KIRMIZI PIN BELLOW (RED)		2
6	KP 320 0308	PERNO BURCU / PIN BUSH	34x30x65	1
7	KP 320 0309	PERNO BURCU / PIN BUSH	34x30x20	1
8	KP 320 0310	PERNO TAPASI / PIN CAP	34x14	2
9	KP 320 0311	PERNO KÖRÜKLÜ LASTİK YÜZÜĞÜ PLASTİK / PIN RING PLASTIC	38x31x9	2

KP 320 0075 ➤ AYAR MEKANİZMA DİŞLİSİ TAKIMI / MECHANISM GEAR SET

KP 320 0069 ➤ İPAT TUTUCU TAMİR TK. / BRAKE PAD RETAINER KIT

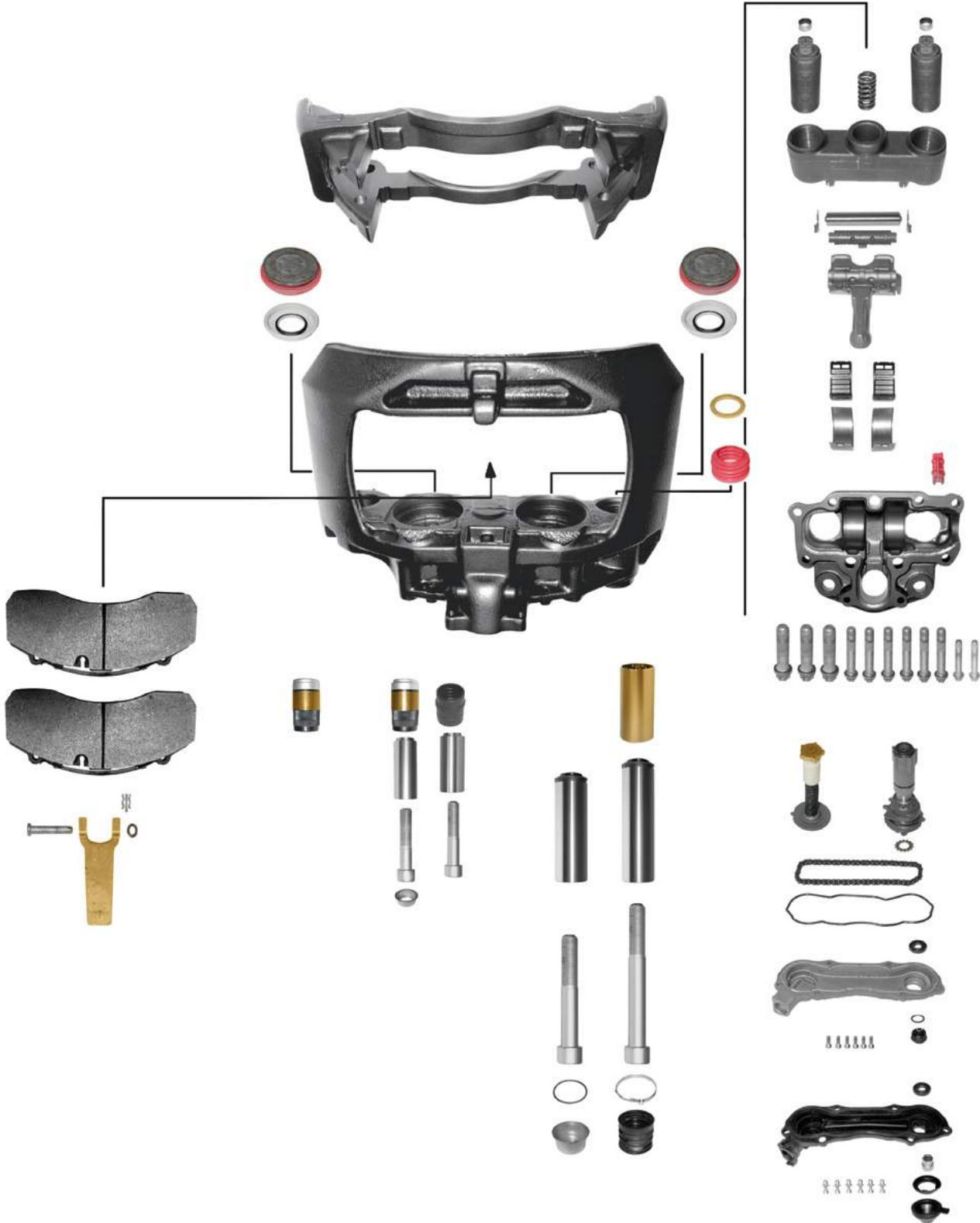

II19712004 - II30679004 - K000133



SB 6... / SB 7...
SN 6... / SN7...
SK 7...
SL 7... / SM 7...

www.hd.com.tr

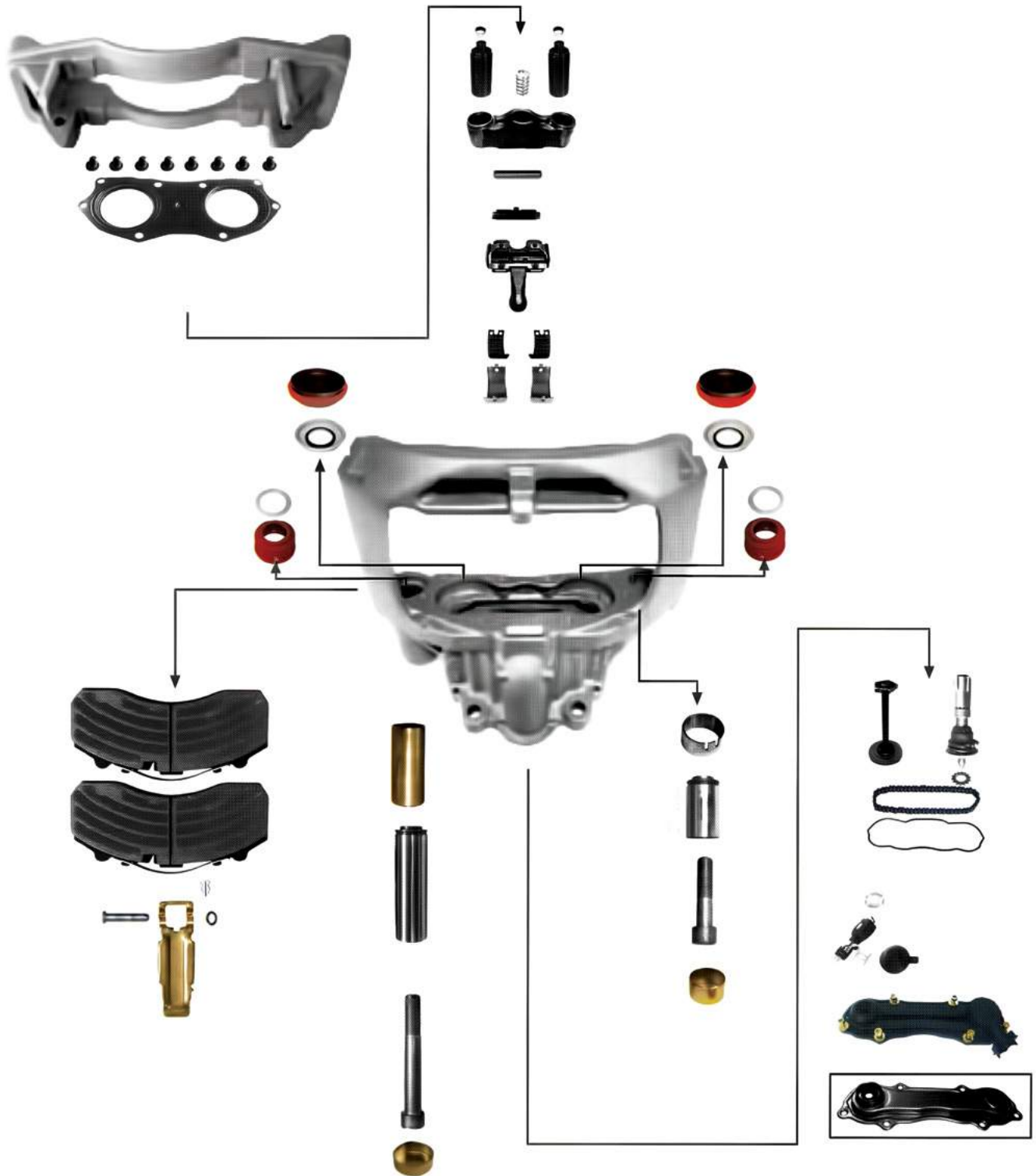
SB 6... / SB 7...



SN 6... / SN 7...

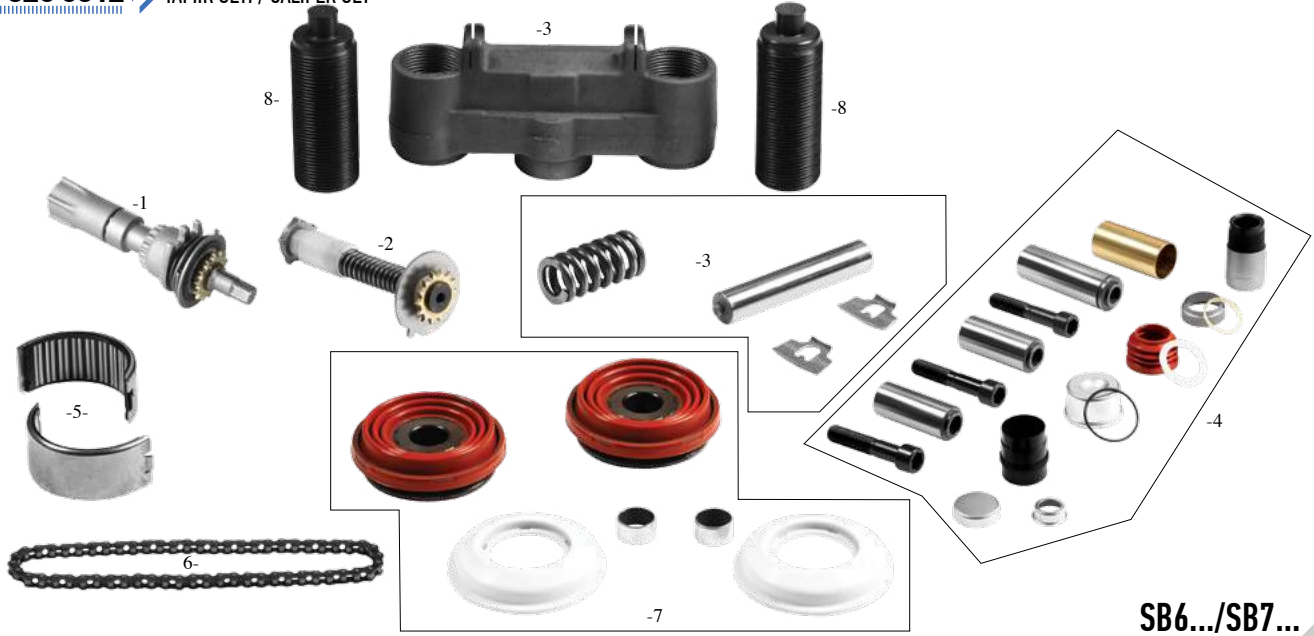


SK 7...



SL 7... / SM 7...




KP 320 0312 ➤ TAMİR SETİ / CALIPER SET

SB6.../SB7...

PARÇA NO PART NUMBER	STOK KODU STOCK CODE	PARÇA ADI PART NAME	ÖLÇÜ DIMENSION	ADET PIECE
1	KP 320 0015	AYAR MEKANİZMASI / ADJUSTING MECHANISM SHAFT		1
2	KP 320 0016	AYAR MEKANİZMASI PİNYON DİŞLİ / PINION SHAFT		1
3	KP 320 0115	DÜRBÜN TAKIMI / SHAFT HOUSING SET		1
4	KP 320 0039	PERNO TAKIMI / PIN SET		1
5	KP 320 0020	MASURA BİLYA / ROLLER BEARING		1
6	KP 320 0022	MEKANİZMA ZİNCİRİ / CHAIN	29 LINK	1
7	KP 320 0065	TOZ LASTİK TAKIMI / CALIPER DUST RUBBER SET	74.30 MM.	1
8	KP 320 0056	AYAR CİVATASI 3 DİŞ / CALIBRATION BOLT	3 TEETH	2

KP 320 0114 ➤ TAMİR SETİ / CALIPER SET

SB6.../SB7...

PARÇA NO PART NUMBER	STOK KODU STOCK CODE	PARÇA ADI PART NAME	ÖLÇÜ DIMENSION	ADET PIECE
1	KP 320 0015	AYAR MEKANİZMASI / ADJUSTING MECHANISM SHAFT		1
2	KP 320 0016	AYAR MEKANİZMASI PİNYON DİŞLİ / PINION SHAFT		1
3	KP 320 0115	DÜRBÜN TAKIMI / SHAFT HOUSING SET		1
4	KP 320 0119	MASURA BİLYA YATAĞI / LEVER	0°	1
5	KP 320 0020	MASURA BİLYA / ROLLER BEARING		1
6	KP 320 0022	MEKANİZMA ZİNCİRİ / CHAIN	29 LINK	1
7	KP 320 0065	TOZ LASTİK TAKIMI / CALIPER DUST RUBBER SET	74.30 MM.	1
8	KP 320 0056	AYAR CİVATASI 3 DİŞ / CALIBRATION BOLT	3 TEETH	2


KP 320 0001 » TAMİR SETİ / CALIPER SET

SB6.../SB7...

PARÇA NO PART NUMBER	STOK KODU STOCK CODE	PARÇA ADI PART NAME	ÖLÇÜ DIMENSION	ADET PIECE
1	KP 320 0015	AYAR MEKANİZMASI / ADJUSTING MECHANISM SHAFT		1
2	KP 320 0016	AYAR MEKANİZMASI PİNYON DİŞLİ / PINION SHAFT		1
3	KP 320 0115	DÜRBÜN TAKIMI / SHAFT HOUSING SET		1
4	KP 320 0121	MASURA BİLYA YATAĞI / LEVER	12°	1
5	KP 320 0020	MASURA BİLYA / ROLLER BEARING		1
6	KP 320 0022	MEKANİZMA ZİNCİRİ / CHAIN	29 LINK	1
7	KP 320 0065	TOZ LASTİK TAKIMI / CALIPER DUST RUBBER SET	74.30 MM.	1
8	KP 320 0056	AYAR CİVATASI 3 DİŞ / CALIBRATION BOLT	3 TEETH	2

KP 320 0005 » TAMİR SETİ / CALIPER SET

SB6.../SB7...

PARÇA NO PART NUMBER	STOK KODU STOCK CODE	PARÇA ADI PART NAME	ÖLÇÜ DIMENSION	ADET PIECE
1	KP 320 0015	AYAR MEKANİZMASI / ADJUSTING MECHANISM SHAFT		1
2	KP 320 0016	AYAR MEKANİZMASI PİNYON DİŞLİ / PINION SHAFT		1
3	KP 320 0115	DÜRBÜN TAKIMI / SHAFT HOUSING SET		1
4	KP 320 0122	MASURA BİLYA YATAĞI / LEVER	0°	1
5	KP 320 0020	MASURA BİLYA / ROLLER BEARING		1
6	KP 320 0022	MEKANİZMA ZİNCİRİ / CHAIN	29 LINK	1
7	KP 320 0065	TOZ LASTİK TAKIMI / CALIPER DUST RUBBER SET	74.30 MM.	1
8	KP 320 0056	AYAR CİVATASI 3 DİŞ / CALIBRATION BOLT	3 TEETH	2


KP 320 0313 TAMİR SETİ / CALIPER SET

SB6.../SB7...

PARÇA NO PART NUMBER	STOK KODU STOCK CODE	PARÇA ADI PART NAME	ÖLÇÜ DIMENSION	ADET PIECE
1	KP 320 0015	AYAR MEKANİZMASI / ADJUSTING MECHANISM SHAFT		1
2	KP 320 0016	AYAR MEKANİZMASI PİNYON DİŞLİ / PINION SHAFT		1
3	KP 320 0115	DÜRBÜN TAKIMI / SHAFT HOUSING SET		1
4	KP 320 0124	MASURA BİLYA YATAĞI / LEVER		1
5	KP 320 0020	MASURA BİLYA / ROLLER BEARING		1
6	KP 320 0022	MEKANİZMA ZİNCİRİ / CHAIN	29 LINK	1
7	KP 320 0065	TOZ LASTİK TAKIMI / CALIPER DUST RUBBER SET	74.30 MM.	1
8	KP 320 0056	AYAR CİVATASI 3 DİŞ / CALIBRATION BOLT	3 TEETH	2

KP 320 0002 TAMİR SETİ / CALIPER SET

SN6.../SN7...

PARÇA NO PART NUMBER	STOK KODU STOCK CODE	PARÇA ADI PART NAME	ÖLÇÜ DIMENSION	ADET PIECE
1	KP 320 0015	AYAR MEKANİZMASI / ADJUSTING MECHANISM SHAFT		1
2	KP 320 0016	AYAR MEKANİZMASI PİNYON DİŞLİ / PINION SHAFT		1
3	KP 320 0070	DÜRBÜN TAKIMI / SHAFT HOUSING SET		1
4	KP 320 0018	MASURA BİLYA YATAĞI / LEVER	0°	1
5	KP 320 0021	MASURA BİLYA / ROLLER BEARING		1
6	KP 320 0022	MEKANİZMA ZİNCİRİ / CHAIN	29 LINK	1
7	KP 320 0030	TOZ LASTİK TAKIMI / CALIPER DUST RUBBER SET	69.20 MM.	1
8	KP 320 0056	AYAR CİVATASI 3 DİŞ / CALIBRATION BOLT	3 TEETH	2


KP 320 0314 ➤ TAMİR SETİ / CALIPER SET

SN6.../SN7...

PARÇA NO PART NUMBER	STOK KODU STOCK CODE	PARÇA ADI PART NAME	ÖLÇÜ DIMENSION	ADET PIECE
1	KP 320 0015	AYAR MEKANİZMASI / ADJUSTING MECHANISM SHAFT		1
2	KP 320 0016	AYAR MEKANİZMASI PİNYON DİŞLİ / PINION SHAFT		1
3	KP 320 0070	DÜRBÜN TAKIMI / SHAFT HOUSING SET		1
4	KP 320 0039	PERNO TAKIMI / PIN SET		1
5	KP 320 0021	MASURA BİLYA / ROLLER BEARING		1
6	KP 320 0022	MEKANİZMA ZİNCİRİ / CHAIN	29 LINK	1
7	KP 320 0030	TOZ LASTİK TAKIMI / CALIPER DUST RUBBER SET	69.20 MM.	1
8	KP 320 0056	AYAR CİVATASI 3 DİŞ / CALIBRATION BOLT	3 TEETH	2

KP 320 0165 ➤ TAMİR SETİ / CALIPER SET

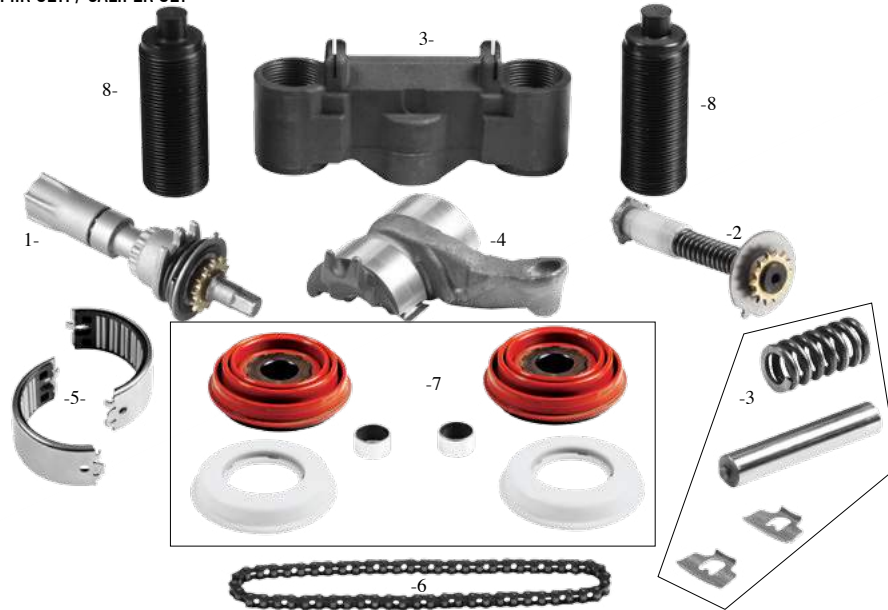
SN6.../SN7...

PARÇA NO PART NUMBER	STOK KODU STOCK CODE	PARÇA ADI PART NAME	ÖLÇÜ DIMENSION	ADET PIECE
1	KP 320 0015	AYAR MEKANİZMASI / ADJUSTING MECHANISM SHAFT		1
2	KP 320 0016	AYAR MEKANİZMASI PİNYON DİŞLİ / PINION SHAFT		1
3	KP 320 0070	DÜRBÜN TAKIMI / SHAFT HOUSING SET		1
4	KP 320 0118	MASURA BİLYA YATAĞI / LEVER	0°	1
5	KP 320 0021	MASURA BİLYA / ROLLER BEARING		1
6	KP 320 0022	MEKANİZMA ZİNCİRİ / CHAIN	29 LINK	1
7	KP 320 0030	TOZ LASTİK TAKIMI / CALIPER DUST RUBBER SET	69.20 MM.	1
8	KP 320 0056	AYAR CİVATASI 3 DİŞ / CALIBRATION BOLT	3 TEETH	2


KP 320 0003 ➤ TAMİR SETİ / CALIPER SET

SN6.../SN7...

PARÇA NO PART NUMBER	STOK KODU STOCK CODE	PARÇA ADI PART NAME	ÖLÇÜ DIMENSION	ADET PIECE
1	KP 320 0015	AYAR MEKANİZMASI / ADJUSTING MECHANISM SHAFT		1
2	KP 320 0016	AYAR MEKANİZMASI PİNYON DİŞLİ / PINION SHAFT		1
3	KP 320 0120	DÜRBÜN TAKIMI / SHAFT HOUSING SET		1
4	KP 320 0039	MASURA BİLYA YATAĞI / LEVER	12°	1
5	KP 320 0021	MASURA BİLYA / ROLLER BEARING		1
6	KP 320 0022	MEKANİZMA ZİNCİRİ / CHAIN	29 LINK	1
7	KP 320 0030	TOZ LASTİK TAKIMI / CALIPER DUST RUBBER SET	69.20 MM.	1
8	KP 320 0056	AYAR CİVATASI 3 DİŞ / CALIBRATION BOLT	3 TEETH	2

KP 320 0006 ➤ TAMİR SETİ / CALIPER SET

SN6.../SN7...

PARÇA NO PART NUMBER	STOK KODU STOCK CODE	PARÇA ADI PART NAME	ÖLÇÜ DIMENSION	ADET PIECE
1	KP 320 0015	AYAR MEKANİZMASI / ADJUSTING MECHANISM SHAFT		1
2	KP 320 0016	AYAR MEKANİZMASI PİNYON DİŞLİ / PINION SHAFT		1
3	KP 320 0070	DÜRBÜN TAKIMI / SHAFT HOUSING SET		1
4	KP 320 0123	MASURA BİLYA YATAĞI / LEVER	12°	1
5	KP 320 0021	MASURA BİLYA / ROLLER BEARING		1
6	KP 320 0022	MEKANİZMA ZİNCİRİ / CHAIN	29 LINK	1
7	KP 320 0030	TOZ LASTİK TAKIMI / CALIPER DUST RUBBER SET	69.20 MM.	1
8	KP 320 0056	AYAR CİVATASI 3 DİŞ / CALIBRATION BOLT	3 TEETH	2


KP 320 0315 TAMİR SETİ / CALIPER SET


SK7...

PARÇA NO PART NUMBER	STOK KODU STOCK CODE	PARÇA ADI PART NAME	ÖLÇÜ DIMENSION	ADET PIECE
1	KP 320 0015	AYAR MEKANİZMASI / ADJUSTING MECHANISM SHAFT		1
2	KP 320 0016	AYAR MEKANİZMASI PİNYON DİŞLİ / PINION SHAFT		1
3	KP 320 0179	DÜRBÜN TAKIMI / SHAFT HOUSING SET		1
4	KP 320 0041	PERNO TAKIMI / PIN SET		1
5	KP 320 0021	MASURA BİLYA / ROLLER BEARING		1
6	KP 320 0022	MEKANİZMA ZİNCİRİ / CHAIN	29 LINK	1
7	KP 320 0030	TOZ LASTİK TAKIMI / CALIPER DUST RUBBER SET	69.20 MM.	1
8	KP 320 0056	AYAR CİVATASI 3 DİŞ / CALIBRATION BOLT	3 TEETH	2

KP 320 0004 TAMİR SETİ / CALIPER SET


SK7...

PARÇA NO PART NUMBER	STOK KODU STOCK CODE	PARÇA ADI PART NAME	ÖLÇÜ DIMENSION	ADET PIECE
1	KP 320 0015	AYAR MEKANİZMASI / ADJUSTING MECHANISM SHAFT		1
2	KP 320 0016	AYAR MEKANİZMASI PİNYON DİŞLİ / PINION SHAFT		1
3	KP 320 0179	DÜRBÜN TAKIMI / SHAFT HOUSING SET		1
4	KP 320 0079	MASURA BİLYA YATAĞI / LEVER		1
5	KP 320 0021	MASURA BİLYA / ROLLER BEARING		1
6	KP 320 0022	MEKANİZMA ZİNCİRİ / CHAIN	29 LINK	1
7	KP 320 0030	TOZ LASTİK TAKIMI / CALIPER DUST RUBBER SET	69.20 MM.	1
8	KP 320 0056	AYAR CİVATASI 3 DİŞ / CALIBRATION BOLT	3 TEETH	2


KP 320 0007 >> TAMIR SETİ / CALIPER SET


SK7...

PARÇA NO PART NUMBER	STOK KODU STOCK CODE	PARÇA ADI PART NAME	ÖLÇÜ DIMENSION	ADET PIECE
1	KP 320 0015	AYAR MEKANİZMASI / ADJUSTING MECHANISM SHAFT		1
2	KP 320 0016	AYAR MEKANİZMASI PİNYON DİŞLİ / PINION SHAFT		1
3	KP 320 0179	DÜRBÜN TAKIMI / SHAFT HOUSING SET		1
4	KP 320 0074	MASURA BİLYA YATAĞI / LEVER		1
5	KP 320 0021	MASURA BİLYA / ROLLER BEARING		1
6	KP 320 0022	MEKANİZMA ZİNCİRİ / CHAIN	29 LINK	1
7	KP 320 0030	TOZ LASTİK TAKIMI / CALIPER DUST RUBBER SET	69.20 MM.	1
8	KP 320 0056	AYAR CİVATASI 3 DİŞ / CALIBRATION BOLT	3 TEETH	2

KP 320 0008 >> TAMIR SETİ / CALIPER SET


PARÇA NO PART NUMBER	STOK KODU STOCK CODE	PARÇA ADI PART NAME	ÖLÇÜ DIMENSION	ADET PIECE
1	KP 320 0015	AYAR MEKANİZMASI / ADJUSTING MECHANISM SHAFT		1
2	KP 320 0016	AYAR MEKANİZMASI PİNYON DİŞLİ / PINION SHAFT		1
3	KP 320 0179	DÜRBÜN TAKIMI / SHAFT HOUSING SET		1
4	KP 320 0019	MASURA BİLYA YATAĞI / LEVER		1
5	KP 320 0021	MASURA BİLYA / ROLLER BEARING		1
6	KP 320 0022	MEKANİZMA ZİNCİRİ / CHAIN	29 LINK	1
7	KP 320 0030	TOZ LASTİK TAKIMI / CALIPER DUST RUBBER SET	69.20 MM.	1
8	KP 320 0056	AYAR CİVATASI 3 DİŞ / CALIBRATION BOLT	3 TEETH	2


KP 320 0316 >> TAMIR SETİ / CALIPER SET

SL7.../SM7...

PARÇA NO PART NUMBER	STOK KODU STOCK CODE	PARÇA ADI PART NAME	ÖLÇÜ DIMENSION	ADET PIECE
1	KP 320 0015	AYAR MEKANİZMASI / ADJUSTING MECHANISM SHAFT		1
2	KP 320 0117	AYAR MEKANİZMASI PİNYON DİŞLİ / PINION SHAFT		1
3	KP 320 0179	DÜRBÜN TAKIMI / SHAFT HOUSING SET		1
4	KP 320 0034	PERNO TAKIMI / PIN SET		1
5	KP 320 0317	MASURA BİLYA / ROLLER BEARING		1
6	KP 320 0022	MEKANİZMA ZİNCİRİ / CHAIN	29 LINK	1
7	KP 320 0031	TOZ LASTİK TAKIMI / CALIPER DUST RUBBER SET	69.20 MM.	1
8	KP 320 0057	AYAR CİVATASI 3 DİŞ / CALIBRATION BOLT	3 TEETH	2

KP 320 0009 >> TAMIR SETİ / CALIPER SET

SL7.../SM7...

PARÇA NO PART NUMBER	STOK KODU STOCK CODE	PARÇA ADI PART NAME	ÖLÇÜ DIMENSION	ADET PIECE
1	KP 320 0015	AYAR MEKANİZMASI / ADJUSTING MECHANISM SHAFT		1
2	KP 320 0117	AYAR MEKANİZMASI PİNYON DİŞLİ / PINION SHAFT		1
3	KP 320 0179	DÜRBÜN TAKIMI / SHAFT HOUSING SET		1
4	KP 320 0318	MASURA BİLYA YATAĞI / LEVER		1
5	KP 320 0319	MASURA BİLYA / ROLLER BEARING		1
6	KP 320 0022	MEKANİZMA ZİNCİRİ / CHAIN	29 LINK	1
7	KP 320 0031	TOZ LASTİK TAKIMI / CALIPER DUST RUBBER SET	69.20 MM.	1
8	KP 320 0057	AYAR CİVATASI 3 DİŞ / CALIBRATION BOLT	3 TEETH	2



KP 320 0012 >> DÜRBÜN SETİ / CALIPER SET



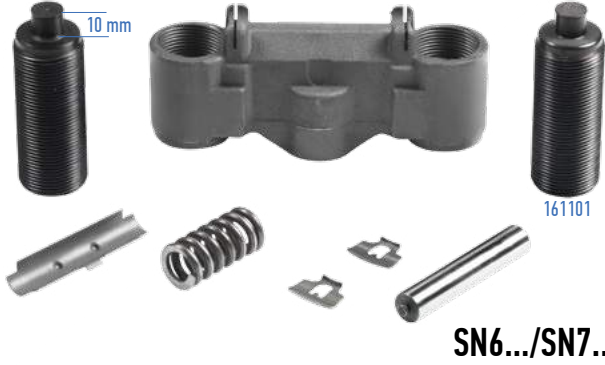
SB6.../SB7...

KP 320 0115 >> DÜRBÜN TAKIMI / SHAFT HOUSING SET



SB6.../SB7...

KP 320 0013 >> DÜRBÜN SETİ / CALIPER SET



SN6.../SN7...

KP 320 0070 >> DÜRBÜN TAKIMI / SHAFT HOUSING SET



SN6.../SN7...

KP 320 0014 >> DÜRBÜN SETİ / CALIPER SET



SK7...

KP 320 0179 >> DÜRBÜN TAKIMI / SHAFT HOUSING SET



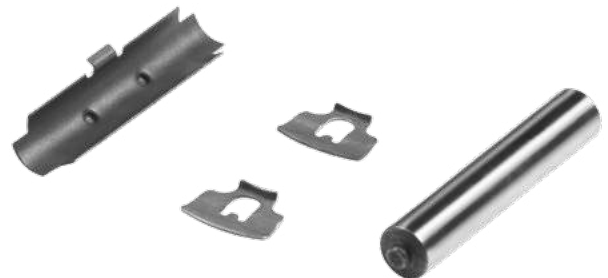
SK7...

KP 320 0183 >> DÜRBÜN SETİ / CALIPER SET



SL7.../SM7...

KP 320 0125 >> DÜRBÜN MİL & SEKMAN & BURÇ TAKIMI
SHAFT HOUSING PIN & RING & BUSHING SET





KP 320 0015 >> AYAR MEKANİZMASI / ADJUSTING MECHANISM SHAFT



KP 320 0320 >> AYAR MEKANİZMASI / ADJUSTING MECHANISM SHAFT



KP 320 0016 >> AYAR MEKANİZMASI PİNYON DİŞLİ / PINION SHAFT



KP 320 0116 >> AYAR MEKANİZMASI PİNYON DİŞLİ / PINION SHAFT



KP 320 0017 >> AYAR MEKANİZMASI PİNYON DİŞLİ / PINION SHAFT



KP 320 0117 >> AYAR MEKANİZMASI PİNYON DİŞLİ / PINION SHAFT



KP 320 0321 >> AYAR MEKANİZMASI PİNYON DİŞLİ / PINION SHAFT



KP 320 0317 >> MASURA BİLYA / ROLLER BEARING



SL7.../SM7...

KP 320 0020 >> MASURA BİLYA / ROLLER BEARING



KP 320 0021 >> MASURA BİLYA / ROLLER BEARING





KP 320 0118 >> MASURA BİLYA YATAĞI / LEVER 0°



KP 320 0119 >> MASURA BİLYA YATAĞI / LEVER 0°



KP 320 0018 >> MASURA BİLYA YATAĞI / LEVER 0°



KP 320 0120 >> MASURA BİLYA YATAĞI / LEVER 12°



KP 320 0121 >> MASURA BİLYA YATAĞI / LEVER 12°



KP 320 0180 >> MASURA BİLYA YATAĞI / LEVER 12°



SK7...

KP 320 0122 >> MASURA BİLYA YATAĞI / LEVER 0°



KP 320 0123 >> MASURA BİLYA YATAĞI / LEVER 12°





KP 320 0074 >> MASURA BİLYA YATAĞI / LEVER 0°



SK7...

KP 320 0124 >> MASURA BİLYA YATAĞI / LEVER



SB7 RADIAL

KP 320 0019 >> MASURA BİLYA YATAĞI / LEVER 0°



SK7...

KP 320 0318 >> MASURA BİLYA YATAĞI / LEVER



SL7.../SM7...

KP 320 0056 >> AYAR CİVATASI / CALIBRATION BOLT



KP 320 0057 >> AYAR CİVATASI / CALIBRATION BOLT



SL7.../SM7...

KP 320 0022 >> MEKANİZMA ZİNCİRİ 29 BAKLA / CHAIN 29 LINK

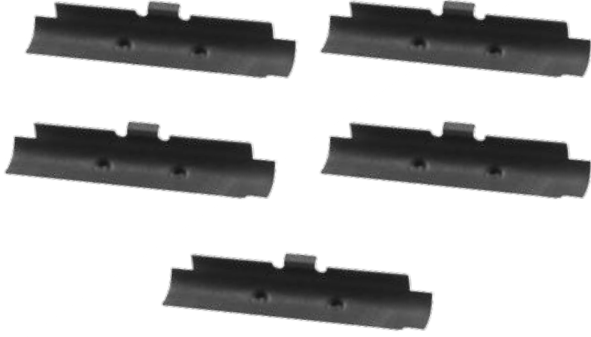


KP 320 0162 >> MEKANİZMA AYAR SOMUNU
ADJUSTING MECHANISM ADAPTER





KP 320 0055 >> MASURA BİLYA YATAK BURCU TAKIMI
LEVER BUSH SET



KP 320 0126 >> MASURA BİLYA YATAK BURCU
LEVER BUSH



KP 320 0075 >> AYAR MEKANİZMASI DİŞLİ SETİ
GEAR SET



KP 320 0087 >> AYAR MEKANİZMASI DİŞLİSİ
MECHANISM GEAR



KP 320 0161 >> MEKANİZMA AYAR SOMUN TAKIMI
ADJUSTING MECHANISM ADAPTER SET



169101

KP 320 0163 >> MEKANİZMA AYAR SOMUN TAKIMI
ADJUSTING MECHANISM ADAPTER SET



Z001548

KP 320 0023 >> MEKANİZMA SAC KAPAK / SHEET METAL CAP

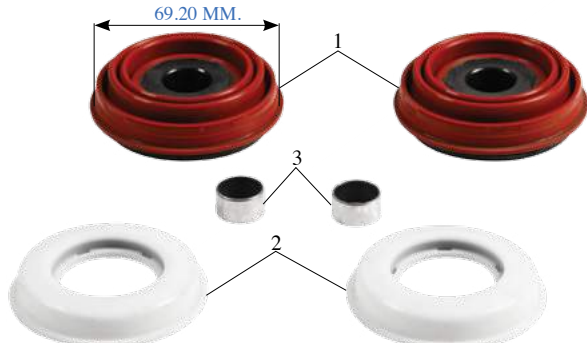


SN6.../SN7...

KP 320 0025 >> MEKANİZMA SAC KAPAK / SHEET METAL CAP



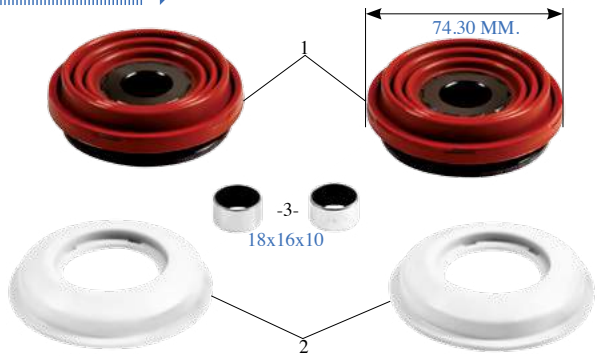
SN6.../SN7...


KP 320 0030 > TOZ LASTİK TAKIMI / CALIPER DUST RUBBER SET


SN6.../SN7.../SK7...

K010603

PARÇA NO PART NUMBER	STOK KODU STOCK CODE	PARÇA ADI PART NAME	ÖLÇÜ DIMENSION	ADET PIECE
1	KP 320 0322	PİSTONLU TOZ LASTİĞİ / THURUT PART WITH BELOW	69.20 MM.	2
2	KP 320 0302	DÜRBÜN TOZ LASTİĞİ / SHAFT BODY DUST RUBBER		2
3	KP 320 0287	PİSTONLU TOZ LASTİK BURCU / BUSH	18x16x10	2

KP 320 0065 > TOZ LASTİK TAKIMI / CALIPER DUST RUBBER SET


SB6.../SB7...

K000944 - K010604

PARÇA NO PART NUMBER	STOK KODU STOCK CODE	PARÇA ADI PART NAME	ÖLÇÜ DIMENSION	ADET PIECE
1	KP 320 0283	PİSTONLU TOZ LASTİĞİ THURUT PART WITH BELOW	74.30 MM.	2
2	KP 320 0284	DÜRBÜN TOZ LASTİĞİ SHAFT BODY DUST RUBBER		2
3	KP 320 0287	PİSTONLU TOZ LASTİK BURCU / BUSH	18x16x10	2

KP 320 0031 > TOZ LASTİK TAKIMI / CALIPER DUST RUBBER SET


SL7.../SM7...

PARÇA NO PART NUMBER	STOK KODU STOCK CODE	PARÇA ADI PART NAME	ÖLÇÜ DIMENSION	ADET PIECE
1	KP 320 0323	PİSTONLU TOZ LASTİĞİ THURUT PART WITH BELOW	69.20 MM.	2
2	KP 320 0302	DÜRBÜN TOZ LASTİĞİ SHAFT BODY DUST RUBBER		2
3	KP 320 0324	PİSTONLU TOZ LASTİK BURCU / BUSH	17x15x7	2

KP 320 0184 > TOZ LASTİK TAKIMI
CALIPER DUST RUBBER SET


SL7.../SM7...

KP 320 0064 > TOZ LASTİK TAKIMI
CALIPER DUST RUBBER SET


SL7.../SM7...

KP 320 0185 > TOZ LASTİK TAKIMI
CALIPER DUST RUBBER SET


SL7.../SM7...



**SB 6.../SB 7... SN 6.../SN 7...
SK7 / SL7 / SM7**



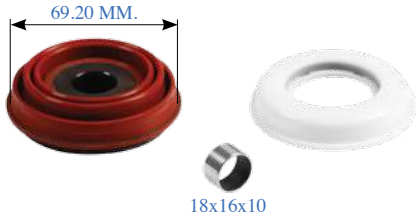
KP 320 0175 ➤ TOZ LASTİK VE PERNO TAKIMI
DUST RUBBER & PIN SET



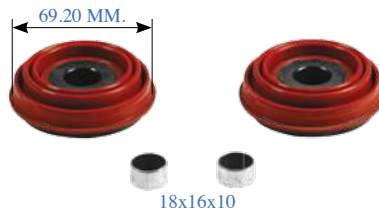
KP 320 0172 ➤ TOZ LASTİK VE PERNO TAKIMI
PIN SET CALIPER DUST RUBBER SET



KP 320 0171 ➤ TOZ LASTİK TAKIMI
CALIPER DUST RUBBER SET



KP 320 0169 ➤ TOZ LASTİK TAKIMI
CALIPER DUST RUBBER SET



KP 320 0170 ➤ TOZ LASTİK TAKIMI
CALIPER DUST RUBBER SET



KP 320 0047 ➤ TOZ LASTİK VE PERNO TAKIMI
DUST RUBBER & PIN SET



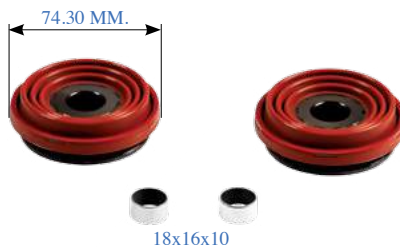
KP 320 0138 ➤ TOZ LASTİK VE PERNO TAKIMI / PIN SET
CALIPER DUST RUBBER SET



KP 320 0091 ➤ TOZ LASTİK TAKIMI
CALIPER DUST RUBBER SET



KP 320 0137 ➤ TOZ LASTİK TAKIMI
CALIPER DUST RUBBER SET



KP 320 0093 ➤ TOZ LASTİK TAKIMI
CALIPER DUST RUBBER SET




KP 320 0173 >> PERNO TAKIMI / PIN SET

K000472

PARÇA NO PART NUMBER	STOK KODU STOCK CODE	PARÇA ADI PART NAME	ÖLÇÜ DIMENSION	ADET PIECE
1	KP 320 0325	PERNO / PIN	32x80 MM.	1
2	KP 320 0326	PERNO / PIN	36x114 MM.	1
3	KP 320 0327	PERNO CİVATASI / PIN BOLT	80 MM./16x1,5	1
4	KP 320 0293	PERNO CİVATASI / PIN BOLT	85 MM./16x1,5	1
5	KP 320 0285	PERNO KÖRÜKLÜ LASTİK KIRMIZI PIN BELLOW (RED)		1
6	KP 320 0150	PERNO LASTİKLİ BURÇ UZUN PIN RUBBER BUSH	39 MM.	1
7	KP 320 0295	PERNO BURCU / PIN BUSH	40x36x82	1
8	KP 320 0328	PERNO TAPASI / PIN CAP	40x14,5	1
9	KP 320 0290	PERNO KÖRÜKLÜ LASTİK YÜZÜĞÜ PLASTİK / PIN RING PLASTIC	49x36x5	1
10	KP 320 0329	PERNO LASTİKLİ BURÇ YÜZÜĞÜ PIN BOLT RING		1

KP 320 0067 >> PERNO TAKIMI / PIN SET

K000375
KP 320 0330 >> PERNO TAKIMI / PIN SET

K067417K50
KP 320 0144 >> PERNO TAKIMI / PIN SET

KP 320 0145 >> PERNO TAKIMI / PIN SET

KP 320 0146 >> PERNO TAKIMI / PIN SET

KP 320 0100 >> TAPA TAKIMI / CALIPER PIN CAP SET

K001301



KP 320 0032 >> PERNO TAKIMI / PIN SET



K001532

KP 320 0148 >> PERNO TAKIMI / PIN SET



II310370066 - K000696

KP 320 0149 >> PERNO TAKIMI / PIN SET



K000935

KP 320 0098 >> PERNO TAKIMI / PIN SET



K000935

KP 320 0102 >> PERNO TAKIMI / PIN SET



KP 320 0033 >> PERNO TAKIMI / PIN SET



KP 320 0094 >> TAPA TAKIMI / CALIPER PIN CAP SET

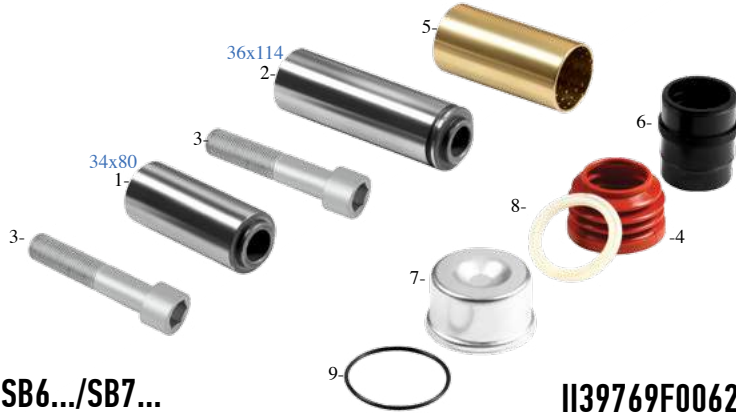


II328090061

KP 320 0092 >> TAPA TAKIMI / CALIPER PIN CAP SET



II350470061


KP 320 0035 >> PERNO TAKIMI / PIN SET

SB6.../SB7...
II39769F0062

PARÇA NO PART NUMBER	STOK KODU STOCK CODE	PARÇA ADI PART NAME	ÖLÇÜ DIMENSION	ADET PIECE
1	KP 320 0291	PERNO / PIN	34x80 MM.	1
2	KP 320 0326	PERNO / PIN	36x114 MM.	1
3	KP 320 0293	PERNO CİVATASI / PIN BOLT	85 MM./16x1,5	2
4	KP 320 0285	PERNO KÖRÜKLÜ LASTİK KIRMIZI PIN BELLOW (RED)		1
5	KP 320 0295	PERNO BURCU / PIN BUSH	40x36x82	1
6	KP 320 0288	PERNO BURCU KAUÇUK PIN BUSH	40x34x50	1
7	KP 320 0331	PERNO TAPASI / PIN CAP		1
8	KP 320 0290	PERNO KÖRÜKLÜ LASTİK YÜZÜĞÜ PIN RING PLASTIC	49x36x5	1
9	KP 320 0332	O RING / O RING		1

KP 320 0139 >> PERNO TAKIMI / PIN SET

K000132
KP 320 0140 >> PERNO TAKIMI / PIN SET

KP 320 0036 >> PERNO TAKIMI / PIN SET

II369100062 - II328090062
KP 320 0288 >> PERNO BURCU KAUÇUK / PIN BUSH

KP 320 0141 >> PERNO TAKIMI / PIN SET

KP 320 0142 >> PERNO TAKIMI / PIN SET

KP 320 0143 >> PERNO TAKIMI / PIN SET




KP 320 0152 >> PERNO TAKIMI / PIN SET



KP 320 0177 >> PERNO TAKIMI / PIN SET



KP 320 0099 >> PERNO TAKIMI / PIN SET



KP 320 0101 >> PERNO TAKIMI / PIN SET



KP 320 0147 >> PERNO TAKIMI / PIN SET



KP 320 0042 >> PERNO TAKIMI / PIN SET



KP 320 0043 >> PERNO TAKIMI / PIN SET



KP 320 0178 >> PERNO TAKIMI / PIN SET



KP 320 0046 >> PERNO TAKIMI / PIN SET



K031844K50

PARÇA NO PART NUMBER	STOK KODU STOCK CODE	PARÇA ADI PART NAME	ÖLÇÜ DIMENSION	ADET PIECE
1	KP 320 0326	PERNO / PIN	36x114 MM.	1
2	KP 320 0333	PERNO / PIN	32x84 MM.	1
3	KP 320 0327	PERNO ÇİVATASI / PIN BOLT	80 MM./16x1,5	1
4	KP 320 0293	PERNO ÇİVATASI / PIN BOLT	85 MM./16x1,5	1
5	KP 320 0285	PERNO KÖRÜKLÜ LASTİK KIRMIZI PIN BELLOW (RED)		1
6	KP 320 0334	PERNO KÖRÜKLÜ LASTİK SİYAH PIN BELLOW (BLACK)		1
7	KP 320 0295	PERNO BURCU / PIN BUSH	40x36x82	1
8	KP 320 0164	PERNO LASTİKLİ BURÇ PIN RUBBER BUSH	39 MM.	1
9	KP 320 0331	PERNO TAPASI / PIN CAP		1
10	KP 320 0328	PERNO TAPASI / PIN CAP	40x14,5	1
11	KP 320 0335	PERNO TAPASI / PIN CAP	40x36,5	1
12	KP 320 0290	PERNO KÖRÜKLÜ LASTİK YÜZÜĞÜ PLASTİK / PIN RING PLASTIC	49x36x5	1
13	KP 320 0336	PERNO KÖRÜKLÜ LASTİK YÜZÜĞÜ PLASTİK / PIN RING PLASTIC		1
14	KP 320 0332	ORİNG / O RING		1

KP 320 0153 >> PERNO TAKIMI / PIN SET



K010813

PARÇA NO PART NUMBER	STOK KODU STOCK CODE	PARÇA ADI PART NAME	ÖLÇÜ DIMENSION	ADET PIECE
1	KP 320 0337	PERNO / PIN	36x64 MM.	1
2	KP 320 0326	PERNO / PIN	36x114 MM.	1
3	KP 320 0338	PERNO ÇİVATASI / PIN BOLT	70 MM./16x1,5	1
4	KP 320 0293	PERNO ÇİVATASI / PIN BOLT	85 MM./16x1,5	1
5	KP 320 0285	PERNO KÖRÜKLÜ LASTİK KIRMIZI PIN BELLOW (RED)		2
6	KP 320 0295	PERNO BURCU / PIN BUSH	40x36x82	1
7	KP 320 0339	PERNO BURCU ÇİFT YARGI / PIN BUSH	40x36x20	1
8	KP 320 0331	PERNO TAPASI / PIN CAP		1
9	KP 320 0340	PERNO TAPASI / PIN CAP	40x24,5	1
10	KP 320 0290	PERNO KÖRÜKLÜ LASTİK YÜZÜĞÜ PLASTİK / PIN RING PLASTIC	49x36x5	2
11	KP 320 0332	O RİNG / O RING		1

KP 320 0151 >> PERNO LASTİKLİ BURÇ KISA PIN RUBBER BUSH SHORT



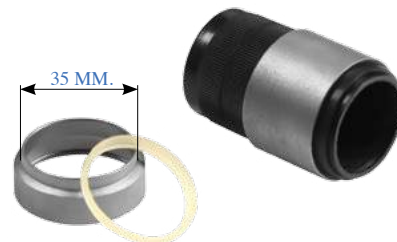
KP 320 0150 >> PERNO LASTİKLİ BURÇ UZUN PIN RUBBER BUSH LONG



KP 320 0164 >> PERNO LASTİKLİ BURÇ PIN RUBBER BUSH



KP 320 0104 >> PERNO LASTİKLİ BURÇ UZUN PIN RUBBER BUSH LONG




KP 320 0041 ➤ PERNO TAKIMI / PIN SET


SK7...

K010766 - K004100 - K004168

PARÇA NO PART NUMBER	STOK KODU STOCK CODE	PARÇA ADI PART NAME	ÖLÇÜ DIMENSION	ADET PIECE
1	KP 320 0337	PERNO / PIN	36x64 MM.	1
2	KP 320 0326	PERNO / PIN	36x114 MM.	1
3	KP 320 0338	PERNO CİVATASI / PIN BOLT	70 MM./16x1,5	1
4	KP 320 0293	PERNO CİVATASI / PIN BOLT	85 MM./16x1,5	1
5	KP 320 0285	PERNO KÖRÜKLÜ LASTİK KIRMIZI PIN BELLOW (RED)		2
6	KP 320 0295	PERNO BURCU / PIN BUSH	40x36x82	1
7	KP 320 0339	PERNO BURCU ÇİFT YARGI / PIN BUSH	40x36x20	1
8	KP 320 0328	PERNO TAPASI / PIN CAP	40x14,5	1
9	KP 320 0340	PERNO TAPASI / PIN CAP	40x24,5	1
10	KP 320 0290	PERNO KÖRÜKLÜ LASTİK YÜZÜĞÜ PLASTİK / PIN RING PLASTIC	49x36x5	2

KP 320 0181 ➤ TAPA TAKIMI / PIN SET


SK7...

KP 320 0182 ➤ İPAT TUTUCU VE PERNO TAKIMI
BRAKE PAD RETAINER AND PIN SET


SK7...

K013007

KP 320 0034 ➤ PERNO TAKIMI / PIN SET


SN6.../SN7.../SL7.../SM7... K001915 - K001925

KP 320 0176 ➤ PERNO TAKIMI / PIN SET


K048371K50

KP 320 0341 ➤ PERNO TAKIMI / PIN SET


K048396K50

KP 320 0342 ➤ İPAT TUTUCU VE PERNO TAKIMI
BRAKE PAD RETAINER AND PIN SET


SN7...

K003800


KP 320 0343 >> PERNO TAKIMI / PIN SET

K000472

PARÇA NO PART NUMBER	STOK KODU STOCK CODE	PARÇA ADI PART NAME	ÖLÇÜ DIMENSION	ADET PIECE
1	KP 320 0344	PERNO / PIN	32x88 MM.	1
2	KP 320 0326	PERNO / PIN	36x114 MM.	1
3	KP 320 0327	PERNO ÇİVATASI / PIN BOLT	80 MM./16x1,5	1
4	KP 320 0293	PERNO ÇİVATASI / PIN BOLT	85 MM./16x1,5	1
5	KP 320 0285	PERNO KÖRÜKLÜ LASTİK KIRMIZI PIN BELLOW (RED)		1
6	KP 320 0150	PERNO LASTİKLİ BURÇ UZUN PIN RUBBER BUSH LONG	39 MM.	1
7	KP 320 0295	PERNO BURCU / PIN BUSH	40x36x82	1
8	KP 320 0328	PERNO TAPASI / PIN CAP	40x14,5	1
9	KP 320 0290	PERNO KÖRÜKLÜ LASTİK YÜZÜĞÜ PLASTİK / PIN RING PLASTIC	49x36x5	1

KP 320 0044 >> PERNO TAKIMI / PIN SET

II179320062
KP 320 0037 >> PERNO TAKIMI / PIN SET

II358510062
KP 320 0045 >> PERNO TAKIMI / PIN SET

II197140062
KP 320 0154 >> PERNO TAKIMI / PIN SET

II197330062
KP 320 0157 >> TAPA TAKIMI / CALIPER PIN CAP SET

II344730063
KP 320 0158 >> TAPA TAKIMI / CALIPER PIN CAP SET

II197140063



KP 320 0038 >> PERNO TAKIMI / PIN SET



K000365

KP 320 0159 >> PERNO TAKIMI / PIN SET



KP 320 0160 >> PERNO TAKIMI / PIN SET



KP 320 0039 >> PERNO TAKIMI / PIN SET



KP 320 0155 >> PERNO TAKIMI / PIN SET



KP 320 0156 >> PERNO TAKIMI / PIN SET



KP 320 0095 >> TOZ LASTİK TAKIMI
CALIPER DUST RUBBER SET



KP 320 0097 >> TAPA TAKIMI
CALIPER PIN CAP SET



I1350470063

KP 320 0096 >> TAPA TAKIMI
CALIPER PIN CAP SET



I139769F0063



KP 320 0345 >> KALİPER GÖVDE TAPA TAKIMI / CALIPER BODY CAP SET
42 MM.



KP 320 0346 >> KALİPER GÖVDE TAPA TAKIMI / CALIPER BODY CAP SET
45 MM.



KP 320 0053 >> KALİPER GÖVDE TAPA TAKIMI / CALIPER BODY CAP SET



KP 320 0054 >> KALİPER GÖVDE TAPA TAKIMI / CALIPER BODY CAP SET



KP 320 0050 >> TAPA TAKIMI / CALIPER PIN CAP SET
40x11



KP 320 0049 >> TAPA TAKIMI / CALIPER PIN CAP SET
40x14.5



KP 320 0051 >> TAPA TAKIMI / CALIPER PIN CAP SET
40x24.50



KP 010 0001 >> GRES YAĞI / GREASE





KP 320 0134 >> CIRCIR AYAR TAKIMI / ADJUSTING MECHANISM CAP SET
35 MM.



KP 320 0135 >> CIRCIR AYAR TAKIMI / ADJUSTING MECHANISM CAP SET
38 MM.



K000945

KP 320 0068 >> CIRCIR AYAR TAKIMI / ADJUSTING MECHANISM CAP SET
35 MM.



K003902

KP 320 0048 >> CIRCIR AYAR TAKIMI / ADJUSTING MECHANISM CAP SET
38 MM.



K000029

KP 320 0129 >> İPAT TUTUCU VE AYAR SOMUN TAKIMI
BRAKE PAD RETAINER & MECHANISM ADAPTER KIT
35 MM.



KP 320 0130 >> İPAT TUTUCU VE AYAR SOMUN TAKIMI
BRAKE PAD RETAINER & MECHANISM ADAPTER KIT
38 MM.



KP 320 0069 >> İPAT TUTUCU TAMİR TK.(GENİŞ AÇILI)
BRAKE PAD RETAINER KIT
DAR AÇILI



II19712004 - II30679004 - K000133

KP 320 0347 >> İPAT TUTUCU TAMİR TK.(DAR AÇILI)
BRAKE PAD RETAINER KIT
GENİŞ AÇILI

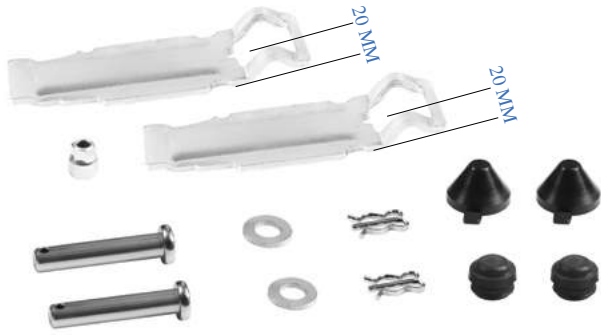


K000129



KP 320 0348 > İPAT TUTUCU TAMİR TK.
BRAKE PAD RETAINER KIT

GENİŞ AÇILI



KP 320 0349 > İPAT TUTUCU TAMİR TK.
BRAKE PAD RETAINER KIT

DAR AÇILI



KP 320 0350 > İPAT TUTUCU TAMİR TK.
BRAKE PAD RETAINER KIT

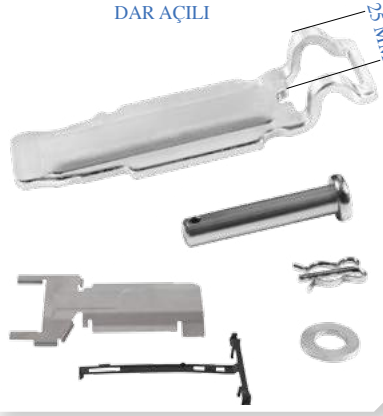
GENİŞ AÇILI



K000884

KP 320 0351 > İPAT TUTUCU TAMİR TK.
BRAKE PAD RETAINER KIT

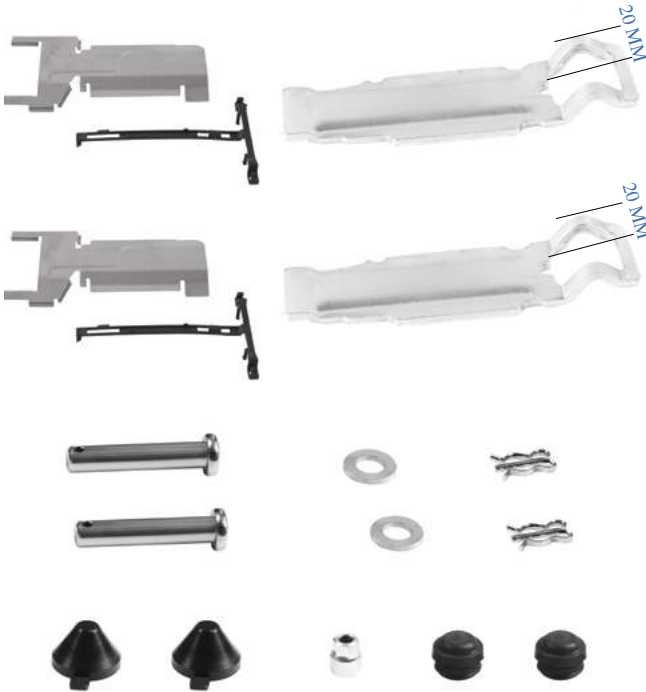
DAR AÇILI



KP 320 0352 > İPAT TUTUCU TAMİR TK.
BRAKE PAD RETAINER KIT

KP 320 0353 > İPAT TUTUCU TAMİR TK.
BRAKE PAD RETAINER KIT

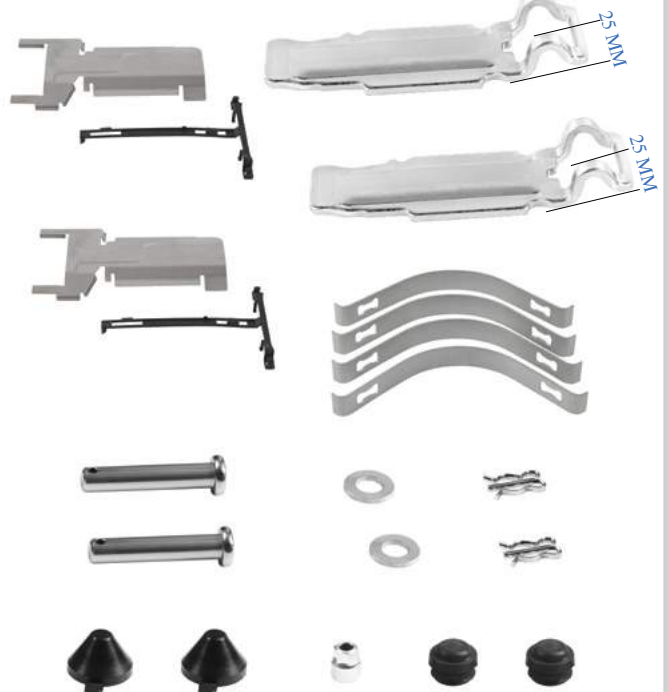
GENİŞ AÇILI



K002311

KP 320 0354 > İPAT TUTUCU TAMİR TK.
BRAKE PAD RETAINER KIT

DAR AÇILI





KP 320 0071 >> MEKANİZMA PLASTİK KAPAK SENSÖRSÜZ
PLASTIC COVER WITHOUT SENSOR



KP 320 0073 >> MEKANİZMA PLASTİK KAPAK SENSÖRSÜZ KLİPSLİ
PLASTIC COVER W/O SENSOR W/CLIP



KP 320 0072 >> MEKANİZMA PLASTİK KAPAK 2 KABLOLU
PLASTIC COVER 2 CABLES



KP 320 0081 >> MEKANİZMA PLASTİK KAPAK 2 KABLOLU KLİPSLİ
PLASTIC COVER 2 CABLES W/CLIP



KP 320 0024 >> MEKANİZMA PLASTİK KAPAK 3 KABLOLU
PLASTIC COVER 3 CABLES



KP 320 0131 >> MEKANİZMA PLASTİK KAPAK 3 KABLOLU
PLASTIC COVER 3 CABLES W/CLIP



KP 320 0282 >> PLASTİK KAPAK KEÇE TAKIMI
PLASTIC COVER SEAL SET



KP 320 0355 >> PLASTİK KAPAK ORINGİ
PLASTIC COVER GASKET





KP 320 0356 >> MEKANİZMA PLASTİK KAPAK MAN TİPİ
PLASTIC COVER W/SENSOR MAN TYPE



KP 320 0132 >> MEKANİZMA PLASTİK KAPAK SENSÖRSÜZ
PLASTIC COVER WITHOUT SENSOR



KP 320 0166 >> MEKANİZMA PLASTİK KAPAK KLİPSLİ
PLASTIC COVER (W/CLIPS)



KP 320 0133 >> MEKANİZMA PLASTİK KAPAK 2 KABLOLU
PLASTIC COVER 2 CABLES



KP 320 0167 >> MEKANİZMA PLASTİK KAPAK 2 KABLOLU KLİPSLİ
PLASTIC COVER 2 CABLES (W/CLIPS)



KP 320 0029 >> MEKANİZMA PLASTİK KAPAK 3 KABLOLU
PLASTIC COVER 3 CABLES



KP 320 0168 >> MEKANİZMA PLASTİK KAPAK 3 KABLOLU KLİPSLİ
PLASTIC COVER 3 CABLES (W/CLIPS)

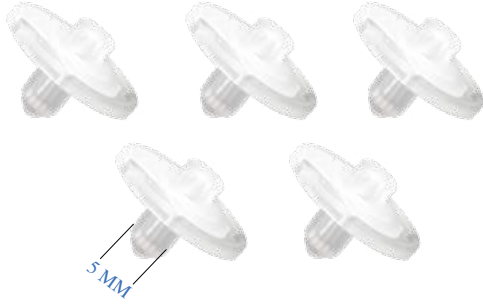


KP 320 0357 >> PLASTİK KAPAK ORINGİ
PLASTIC COVER GASKET





KP 320 0076 ➤ SENSÖR DİŞLİSİ PLASTİK TAKIMI
SENSOR GEAR PLASTIC SET



KP 320 0127 ➤ SENSÖR DİŞLİSİ PLASTİK
SENSOR GEAR PLASTIC



KP 320 0128 ➤ SENSÖR DİŞLİSİ PLASTİK TAKIMI
SENSOR GEAR PLASTIC SET



KP 320 0358 ➤ SENSÖR DİŞLİSİ PLASTİK
SENSOR GEAR PLASTIC



KP 320 0359 ➤ SENSÖR DİŞLİSİ PLASTİK TAKIMI
SENSOR GEAR PLASTIC SET



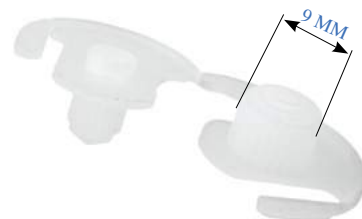
KP 320 0360 ➤ SENSÖR DİŞLİSİ PLASTİK TAKIMI
SENSOR GEAR PLASTIC SET



KP 010 0001 ➤ GRES YAĞI / GREASE



KP 320 0361 ➤ SENSÖR DİŞLİSİ PLASTİK
SENSOR GEAR PLASTIC





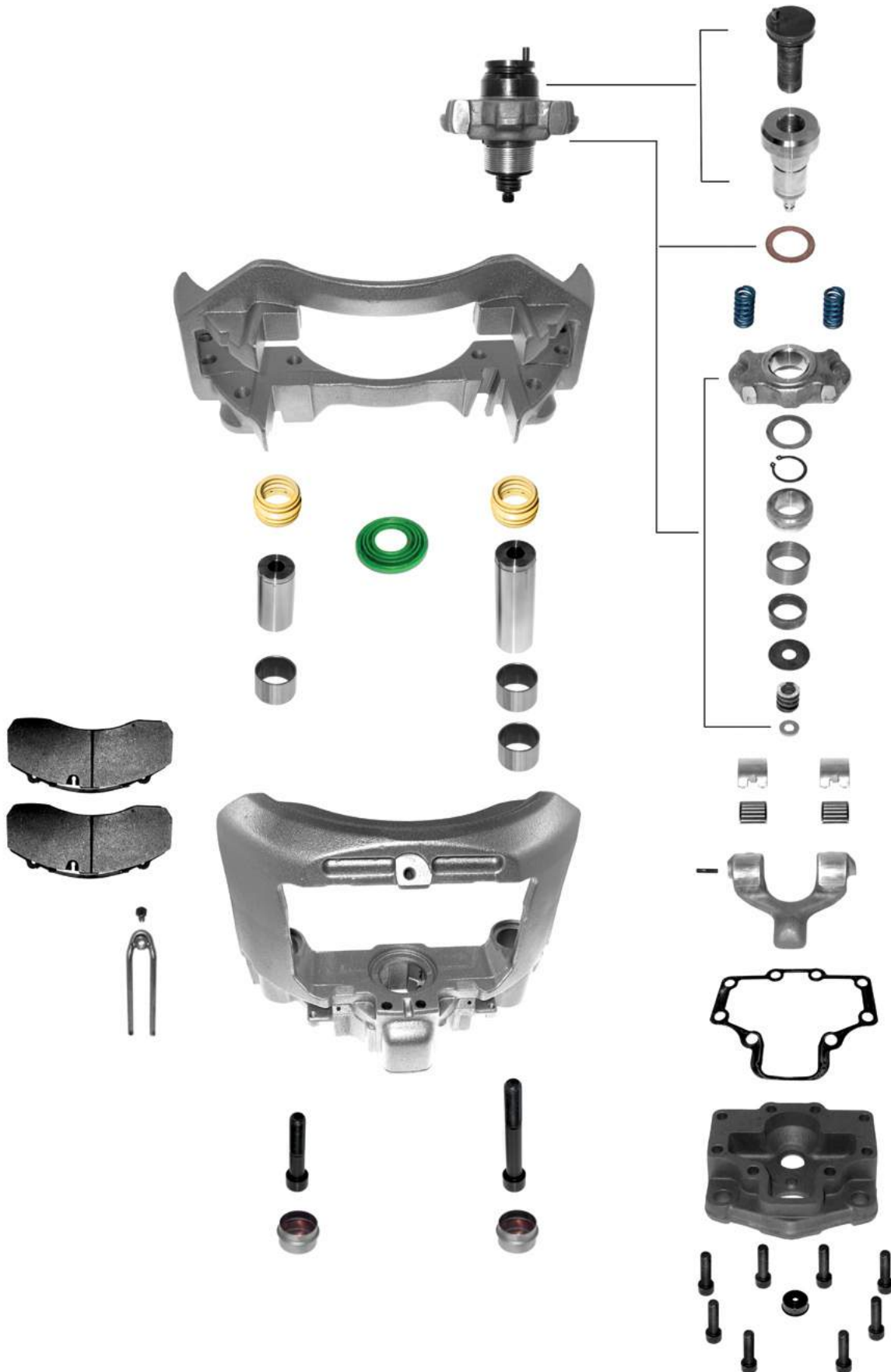
WABCO
SINGLE PISTON
17.5" - 19.5"
22.5" ...

www.hd.com.tr

SINGLE PISTON 17.5"



SINGLE PISTON 19.5" - 22.5"

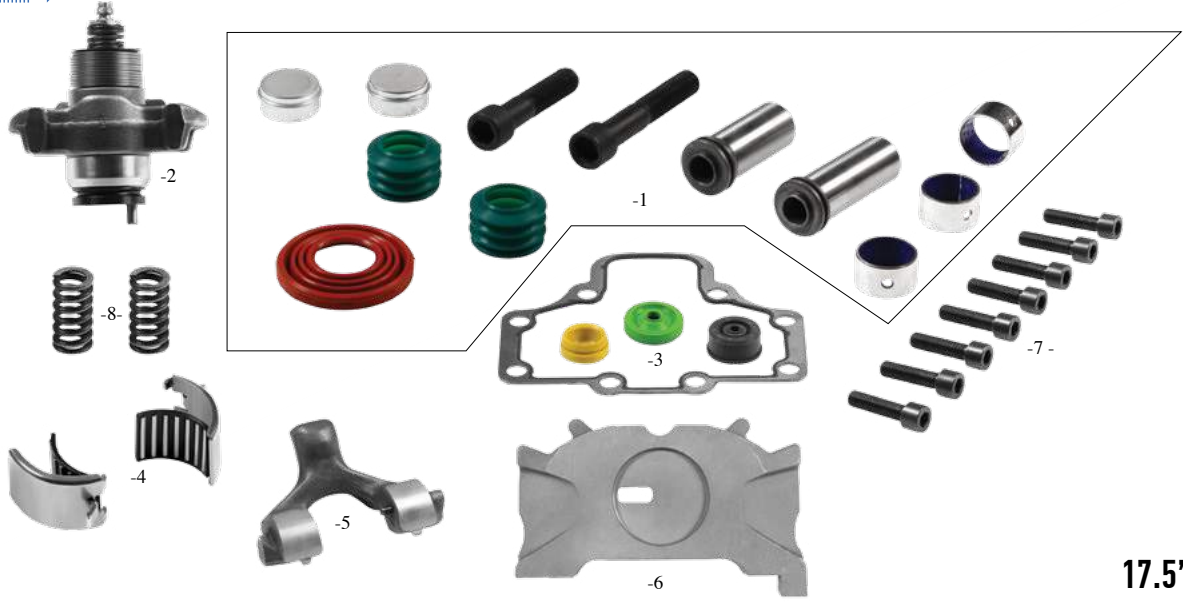




SINGLE PISTON W 17,5" / W 19,5" / W 22,5"



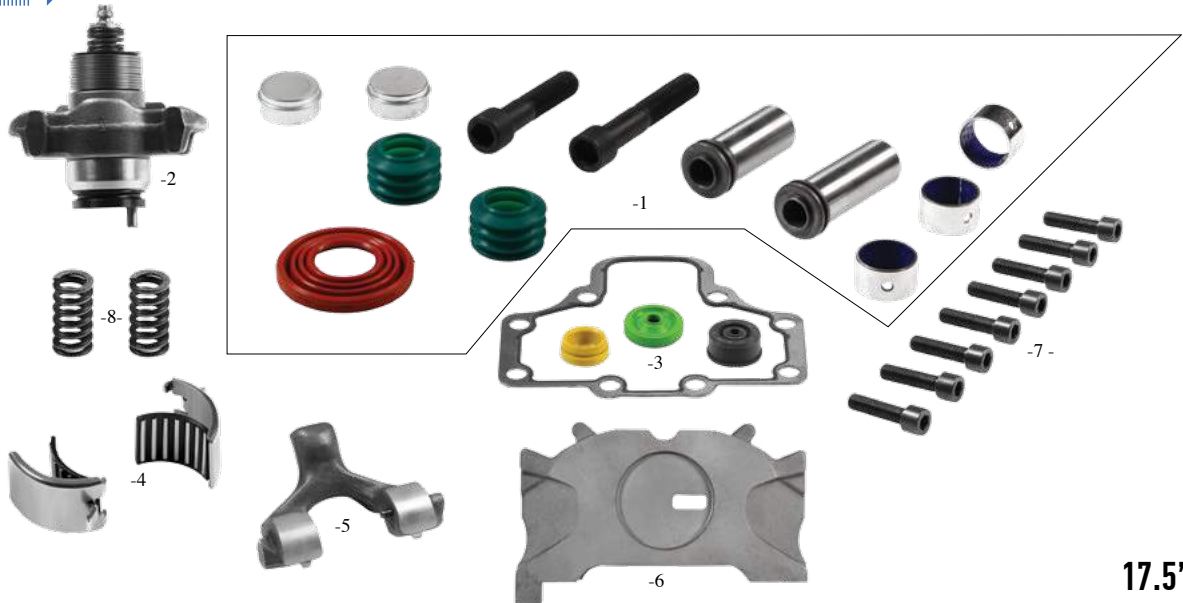
KP 320 0362 ➤ TAMİR SETİ PİMLİ -R / CALIPER ADJUSTING SET (W/PIN) SHORT -R 110 MM.



17.5"

PARÇA NO PART NUMBER	STOK KODU STOCK CODE	PARÇA ADI PART NAME	ÖLÇÜ DIMENSION	ADET PIECE
1	KP 320 0206	TOZ LASTİK VE PERNO TAKIMI / CALIPER PIN & DUST RUBBER SET		1
2	KP 320 0192	TAMİR SETİ PİMLİ / CALIPER ADJUSTING SET (W/PIN) SHORT	110 MM.	1
3	KP 320 0363	KAPAK CONTA VE KEÇE TAKIMI / CALIPER HEAD GASKET AND SEAL SET		1
4	KP 320 0060	MASURA BİLYA / ROLLER BEARING		1
5	KP 320 0059	MASURA BİLYA YATAĞI / LEVER		1
6	KP 320 0205	BALATA PLEYTİ YARIKLI -R / CALIPER BRAKE LINING PLATE (W/GROOVE) -R		1
7	KP 320 0364	KAPAK CİVATASI / COVER BOLT	40 MM./10x1	8
8	KP 320 0365	BASKI YAYI / SHAFT HOUSING		2

KP 320 0366 ➤ TAMİR SETİ PİMLİ -L / CALIPER ADJUSTING SET (W/PIN) SHORT -L 110 MM.



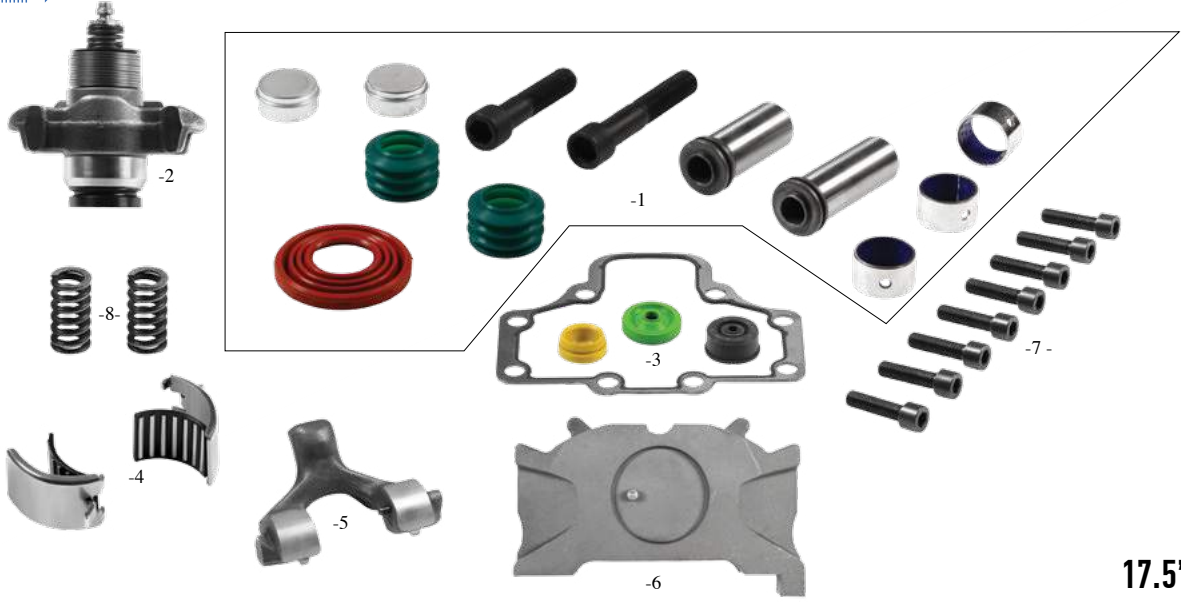
17.5"

PARÇA NO PART NUMBER	STOK KODU STOCK CODE	PARÇA ADI PART NAME	ÖLÇÜ DIMENSION	ADET PIECE
1	KP 320 0206	TOZ LASTİK VE PERNO TAKIMI / CALIPER PIN & DUST RUBBER SET		1
2	KP 320 0192	TAMİR SETİ PİMLİ / CALIPER ADJUSTING SET (W/PIN) SHORT	110 MM.	1
3	KP 320 0363	KAPAK CONTA VE KEÇE TAKIMI / CALIPER HEAD GASKET AND SEAL SET		1
4	KP 320 0060	MASURA BİLYA / ROLLER BEARING		1
5	KP 320 0059	MASURA BİLYA YATAĞI / LEVER		1
6	KP 320 0204	BALATA PLEYTİ YARIKLI -L / CALIPER BRAKE LINING PLATE (W/GROOVE) -L		1
7	KP 320 0364	KAPAK CİVATASI / COVER BOLT	40 MM./10x1	8
8	KP 320 0365	BASKI YAYI / SHAFT HOUSING		2

SINGLE PISTON W 17,5" / W 19,5" / W 22,5"



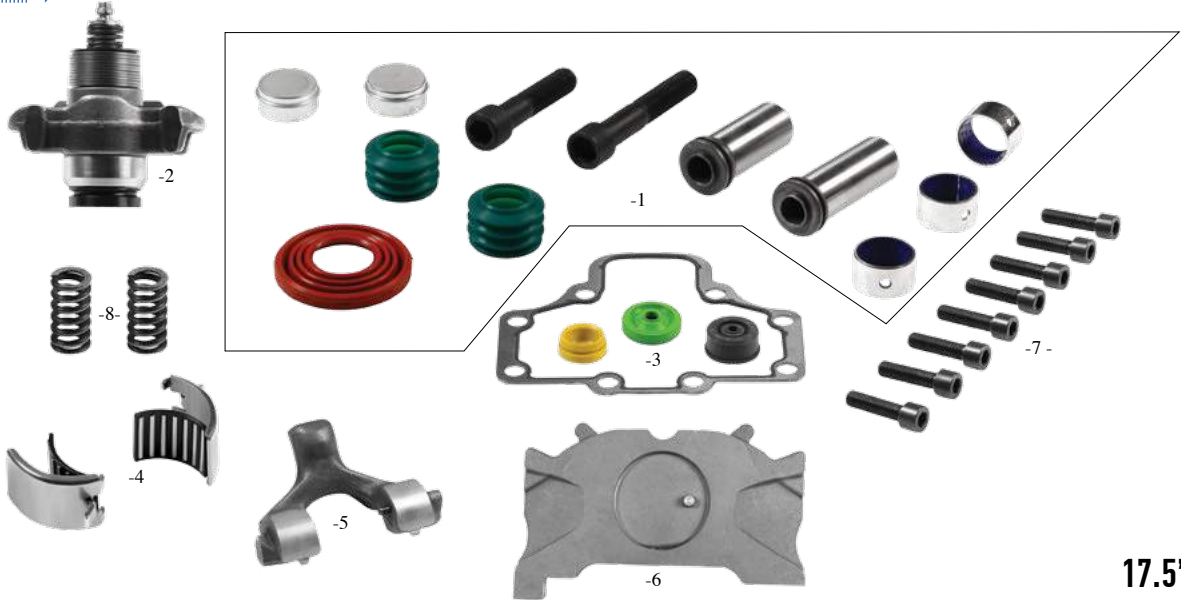
KP 320 0367 ➤ TAMİR SETİ PİMLİ -R / CALIPER ADJUSTING SET (W/PIN) SHORT -R 110 MM.



17.5"

PARÇA NO PART NUMBER	STOK KODU STOCK CODE	PARÇA ADI PART NAME	ÖLÇÜ DIMENSION	ADET PIECE
1	KP 320 0206	TOZ LASTİK VE PERNO TAKIMI / CALIPER PIN & DUST RUBBER SET		1
2	KP 320 0195	TAMİR SETİ YARIKLI / CALIPER ADJUSTING SET (W/GROOVE) SHORT	110 MM.	1
3	KP 320 0363	KAPAK CONTA VE KEÇE TAKIMI / CALIPER HEAD GASKET AND SEAL SET		1
4	KP 320 0060	MASURA BİLYA / ROLLER BEARING		1
5	KP 320 0059	MASURA BİLYA YATAĞI / LEVER		1
6	KP 320 0203	BALATA PLEYTİ PİMLİ -R / CALIPER BRAKE LINING PLATE (W/PIN) -R		1
7	KP 320 0364	KAPAK CİVATASI / COVER BOLT	40 MM./10x1	8
8	KP 320 0365	BASKI YAYI / SHAFT HOUSING		2

KP 320 0368 ➤ TAMİR SETİ PİMLİ -L / CALIPER ADJUSTING SET (W/PIN) SHORT -L 110 MM.



17.5"

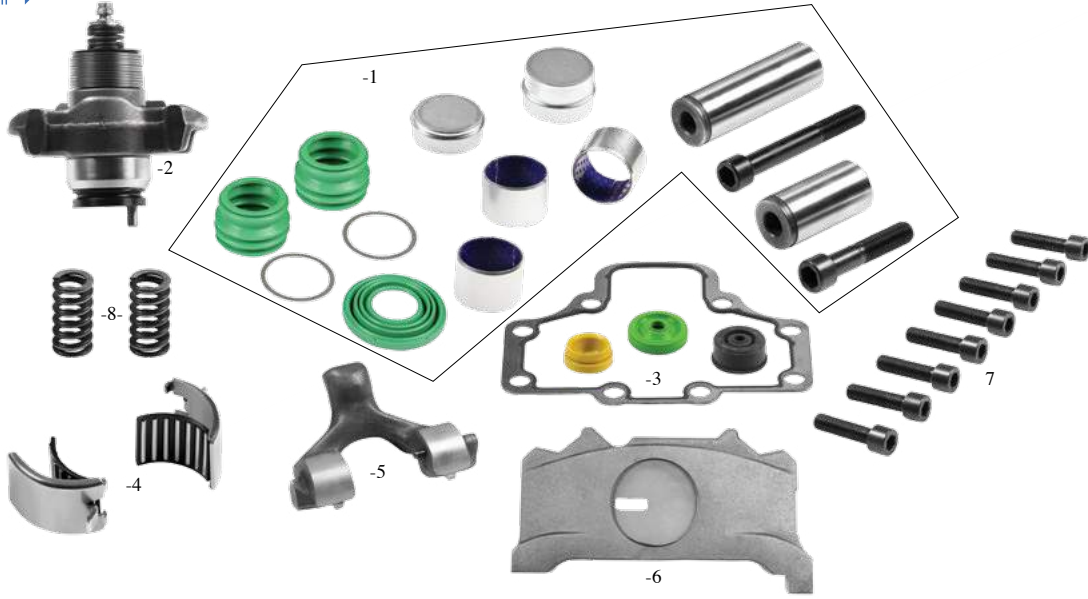
PARÇA NO PART NUMBER	STOK KODU STOCK CODE	PARÇA ADI PART NAME	ÖLÇÜ DIMENSION	ADET PIECE
1	KP 320 0206	TOZ LASTİK VE PERNO TAKIMI / CALIPER PIN & DUST RUBBER SET		1
2	KP 320 0195	TAMİR SETİ YARIKLI / CALIPER ADJUSTING SET (W/GROOVE) SHORT	100 MM.	1
3	KP 320 0363	KAPAK CONTA VE KEÇE TAKIMI / CALIPER HEAD GASKET AND SEAL SET		1
4	KP 320 0060	MASURA BİLYA / ROLLER BEARING		1
5	KP 320 0059	MASURA BİLYA YATAĞI / LEVER		1
6	KP 320 0201	BALATA PLEYTİ PİMLİ -L / CALIPER BRAKE LINING PLATE (W/PIN) -L		1
7	KP 320 0364	KAPAK CİVATASI / COVER BOLT	40 MM./10x1	8
8	KP 320 0365	BASKI YAYI / SHAFT HOUSING		2



SINGLE PISTON W 17,5" / W 19,5" / W 22,5"



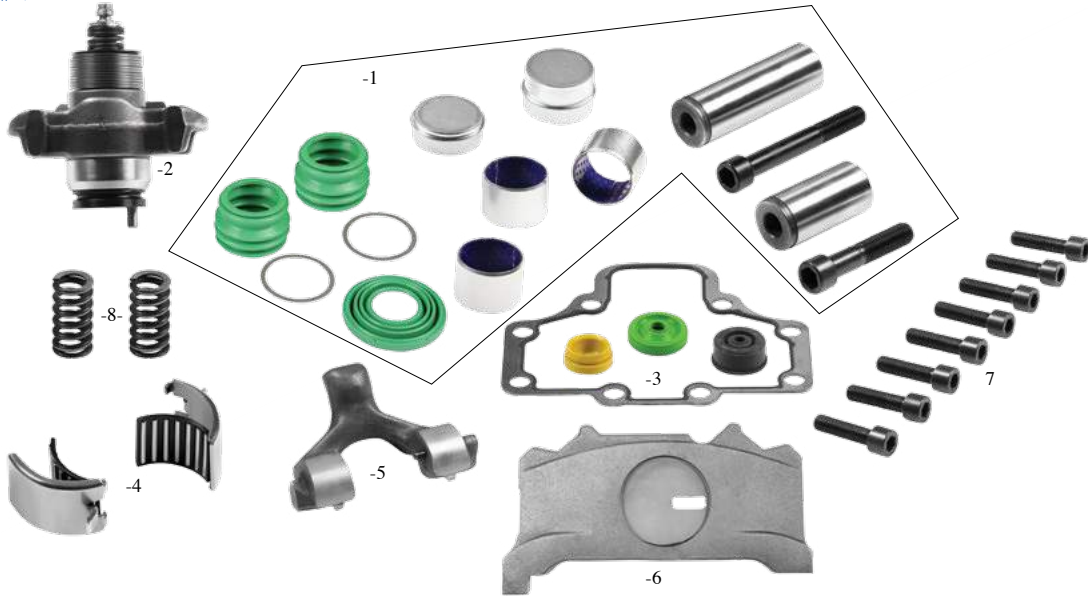
KP 320 0369 ➤ TAMİR SETİ PİMLİ -R / CALIPER ADJUSTING SET (W/PIN) LONG -R 115 MM.



19.5"

PARÇA NO PART NUMBER	STOK KODU STOCK CODE	PARÇA ADI PART NAME	ÖLÇÜ DIMENSION	ADET PIECE
1	KP 320 0230	TOZ LASTİK VE PERNO TAKIMI / CALIPER PIN & DUST RUBBER SET		1
2	KP 320 0224	TAMİR SETİ PİMLİ / CALIPER ADJUSTING SET (W/PIN) LONG	115 MM.	1
3	KP 320 0370	KAPAK CONTA VE KEÇE TAKIMI / CALIPER HEAD GASKET AND SEAL SET		1
4	KP 320 0060	MASURA BİLYA / ROLLER BEARING		1
5	KP 320 0059	MASURA BİLYA YATAĞI / LEVER		1
6	KP 320 0063	BALATA PLEYTİ YARIKLI -R / CALIPER BRAKE LINING PLATE (W/GROOVE) -R		1
7	KP 320 0364	KAPAK CİVATASI / COVER BOLT	40 MM./10x1	8
8	KP 320 0365	BASKI YAYI / SHAFT HOUSING		2

KP 320 0372 ➤ TAMİR SETİ PİMLİ -L / CALIPER ADJUSTING SET (W/PIN) LONG -L 115 MM.



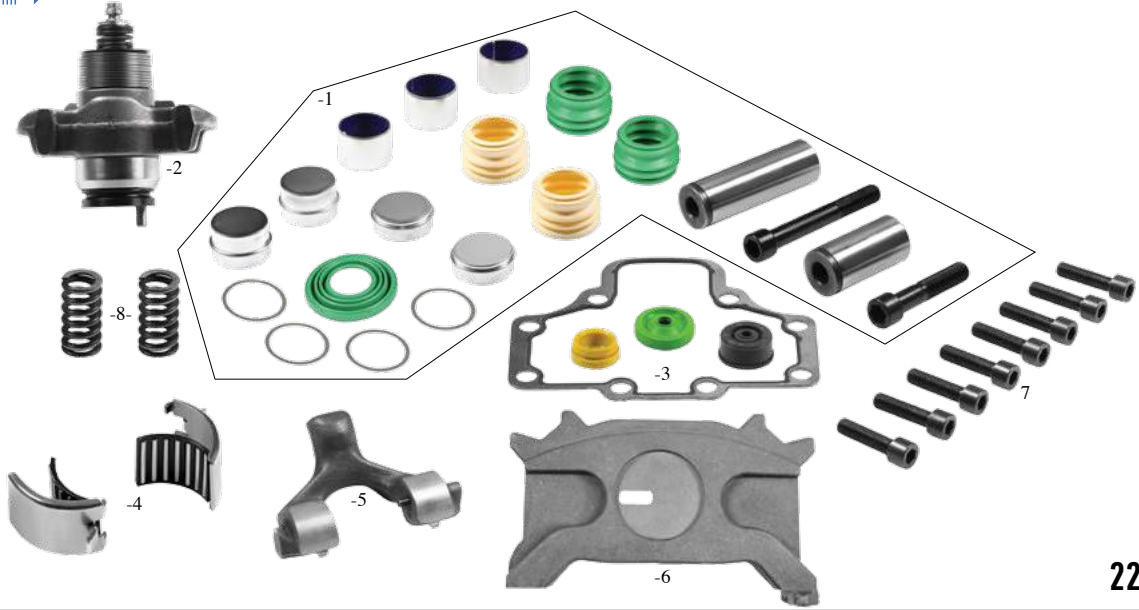
19.5"

PARÇA NO PART NUMBER	STOK KODU STOCK CODE	PARÇA ADI PART NAME	ÖLÇÜ DIMENSION	ADET PIECE
1	KP 320 0230	TOZ LASTİK VE PERNO TAKIMI / CALIPER PIN & DUST RUBBER SET		1
2	KP 320 0224	TAMİR SETİ PİMLİ / CALIPER ADJUSTING SET (W/PIN) LONG	115 MM.	1
3	KP 320 0370	KAPAK CONTA VE KEÇE TAKIMI / CALIPER HEAD GASKET AND SEAL SET		1
4	KP 320 0060	MASURA BİLYA / ROLLER BEARING		1
5	KP 320 0059	MASURA BİLYA YATAĞI / LEVER		1
6	KP 320 0061	BALATA PLEYTİ YARIKLI -L / CALIPER BRAKE LINING PLATE (W/GROOVE) -L		1
7	KP 320 0364	KAPAK CİVATASI / COVER BOLT	40 MM./10x1	8
8	KP 320 0365	BASKI YAYI / SHAFT HOUSING		2

SINGLE PISTON W 17,5" / W 19,5" / W 22,5"



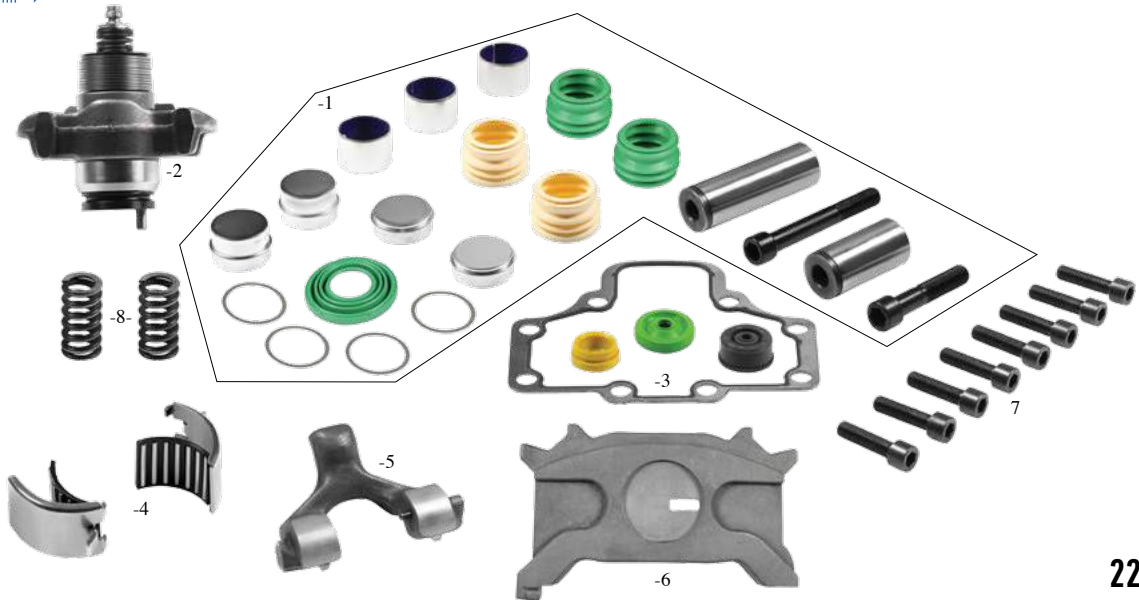
KP 320 0371 ➤ TAMİR SETİ PİMLİ -R / CALIPER ADJUSTING SET (W/PIN) LONG -R 115 MM.



22.5"

PARÇA NO PART NUMBER	STOK KODU STOCK CODE	PARÇA ADI PART NAME	ÖLÇÜ DIMENSION	ADET PIECE
1	KP 320 0233	TOZ LASTİK VE PERNO TAKIMI / CALIPER PIN & DUST RUBBER SET		1
2	KP 320 0224	TAMİR SETİ PİMLİ / CALIPER ADJUSTING SET (W/PIN) LONG	115 MM.	1
3	KP 320 0370	KAPAK CONTA VE KEÇE TAKIMI / CALIPER HEAD GASKET AND SEAL SET		1
4	KP 320 0060	MASURA BİLYA / ROLLER BEARING		1
5	KP 320 0059	MASURA BİLYA YATAĞI / LEVER		1
6	KP 320 0227	BALATA PLEYTİ YARIKLI -R / CALIPER BRAKE LINING PLATE (W/GROOVE) -R		1
7	KP 320 0364	KAPAK CİVATASI / COVER BOLT	40 MM./10x1	8
8	KP 320 0365	BASKI YAYI / SHAFT HOUSING		2

KP 320 0373 ➤ TAMİR SETİ PİMLİ -L / CALIPER ADJUSTING SET (W/PIN) LONG -L 115 MM.



22.5"

PARÇA NO PART NUMBER	STOK KODU STOCK CODE	PARÇA ADI PART NAME	ÖLÇÜ DIMENSION	ADET PIECE
1	KP 320 0233	TOZ LASTİK VE PERNO TAKIMI / CALIPER PIN & DUST RUBBER SET		1
2	KP 320 0224	TAMİR SETİ PİMLİ / CALIPER ADJUSTING SET (W/PIN) LONG	115 MM.	1
3	KP 320 0370	KAPAK CONTA VE KEÇE TAKIMI / CALIPER HEAD GASKET AND SEAL SET		1
4	KP 320 0060	MASURA BİLYA / ROLLER BEARING		1
5	KP 320 0059	MASURA BİLYA YATAĞI / LEVER		1
6	KP 320 0062	BALATA PLEYTİ YARIKLI -L / CALIPER BRAKE LINING PLATE (W/GROOVE) -L		1
7	KP 320 0364	KAPAK CİVATASI / COVER BOLT	40 MM./10x1	8
8	KP 320 0365	BASKI YAYI / SHAFT HOUSING		2



SINGLE PISTON W 17,5" / W 19,5" / W 22,5"



KP 320 0191 ➤ TAMİR SETİ PİMLİ / CALIPER ADJUSTING SET (W/PIN) SHORT 110 MM.



17.5"

PARÇA NO PART NUMBER	STOK KODU STOCK CODE	PARÇA ADI PART NAME	ÖLÇÜ DIMENSION	ADET PIECE
1	KP 320 0192	TAMİR SETİ PİMLİ / CALIPER ADJUSTING SET (W/PIN) SHORT	110 MM.	1
2	KP 320 0374	PERNO / PIN	30x75 MM.	1
3	KP 320 0375	PERNO / PIN	30x88 MM.	1
4	KP 320 0376	PERNO CİVATASI / PIN BOLT	70 MM./16x1,5	1
5	KP 320 0377	PERNO CİVATASI / PIN BOLT	90 MM./16x1,5	1
6	KP 320 0378	MEKANİZMA TOZ LASTİĞİ YEŞİL CALIPER ADJUSTING MECHANISM DUST RUBBER GREEN		1
7	KP 320 0379	PERNO TOZ LASTİĞİ YEŞİL CALIPER PIN DUST RUBBER GREEN		2
8	KP 320 0380	PERNO BURCU / PIN BUSH	34x30x20	2
9	KP 320 0381	PERNO TAPASI / PIN CAP	34x17	2
10	KP 320 0382	PERNO BURCU / PIN BUSH	34x30x25	1
11	KP 320 0365	BASKI YAYI / SHAFT HOUSING		2

KP 320 0194 ➤ TAMİR SETİ YARIKLI / CALIPER ADJUSTING SET (W/GROOVE) SHORT 110 MM.



17.5"

PARÇA NO PART NUMBER	STOK KODU STOCK CODE	PARÇA ADI PART NAME	ÖLÇÜ DIMENSION	ADET PIECE
1	KP 320 0058	TAMİR SETİ YARIKLI / CALIPER ADJUSTING SET (W/GROOVE) SHORT	110 MM.	1
2	KP 320 0374	PERNO / PIN	30x75 MM.	1
3	KP 320 0375	PERNO / PIN	30x88 MM.	1
4	KP 320 0376	PERNO CİVATASI / PIN BOLT	70 MM./16x1,5	1
5	KP 320 0377	PERNO CİVATASI / PIN BOLT	90 MM./16x1,5	1
6	KP 320 0378	MEKANİZMA TOZ LASTİĞİ YEŞİL CALIPER ADJUSTING MECHANISM DUST RUBBER GREEN		1
7	KP 320 0379	PERNO TOZ LASTİĞİ YEŞİL CALIPER PIN DUST RUBBER GREEN		2
8	KP 320 0380	PERNO BURCU / PIN BUSH	34x30x20	2
9	KP 320 0381	PERNO TAPASI / PIN CAP	34x17	2
10	KP 320 0382	PERNO BURCU / PIN BUSH	34x30x25	1
11	KP 320 0365	BASKI YAYI / SHAFT HOUSING		2

KP 320 0058 ➤ TAMİR SETİ PİMLİ / CALIPER ADJUSTING SET (W/PIN) LONG 115 MM.



19.5"/22.5"

PARÇA NO PART NUMBER	STOK KODU STOCK CODE	PARÇA ADI PART NAME	ÖLÇÜ DIMENSION	ADET PIECE
1	KP 320 0224	AYAR MEKANİZMASI PİMLİ / CALIPER ADJUSTING MECHANISM (W/PIN)		1
2	KP 320 0383	PERNO / PIN	38x76 MM.	1
3	KP 320 0384	PERNO / PIN	38x118 MM.	1
4	KP 320 0385	PERNO CİVATASI / PIN BOLT	80 MM./16x1,5	1
5	KP 320 0386	PERNO CİVATASI / PIN BOLT	120 MM./16x1,5	1
6	KP 320 0387	MEKANİZMA TOZ LASTİĞİ YEŞİL CALIPER ADJUSTING MECHANISM DUST RUBBER GREEN		1
7	KP 320 0388	PERNO TOZ LASTİĞİ YEŞİL CALIPER PIN DUST RUBBER GREEN		2
8	KP 320 0389	PERNO BURCU / PIN BUSH	42x38x30	3
9	KP 320 0390	PERNO TAPASI / PIN CAP	42x17	1
10	KP 320 0391	PERNO TAPASI / PIN CAP	42x28	1
11	KP 320 0392	PERNO TOZ LASTİK SACI / WASHER		2
12	KP 320 0365	BASKI YAYI / SHAFT HOUSING		2



SINGLE PISTON W 17,5" / W 19,5" / W 22,5"



KP 320 0192 >> TAMİR SETİ PİMLİ
CALIPER ADJUSTING MECHANISM (W/PIN) SHORT
110 MM.



KP 320 0193 >> AYAR MEKANİZMASI PİMLİ
CALIPER ADJUSTING MECHANISM (W/PIN) SHORT
110 MM.



KP 320 0195 >> TAMİR SETİ YARIKLI
CALIPER ADJUSTING MECHANISM (W/GROOVE) SHORT
110 MM.



KP 320 0196 >> AYAR MEKANİZMASI YARIKLI
CALIPER ADJUSTING MECHANISM (W/GROOVE)
110 MM.



KP 320 0224 >> TAMİR SETİ PİMLİ
CALIPER ADJUSTING MECHANISM (W/PIN) LONG
115 MM.



KP 320 0225 >> AYAR MEKANİZMASI PİMLİ
CALIPER ADJUSTING MECHANISM (W/PIN)
115 MM.



KP 320 0197 >> DÜRBÜN / SHAFT HOUSING



KP 320 0226 >> DÜRBÜN / SHAFT HOUSING





SINGLE PISTON W 17,5" / W 19,5" / W 22,5"



KP 320 0059 >> MASURA BİLYA YATAĞI / LEVER

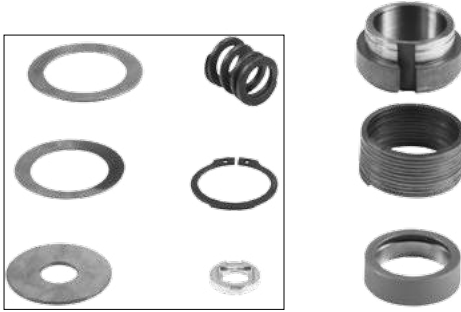


17.5"/19.5"/22.5"

KP 320 0060 >> MASURA BİLYA / ROLLER BEARING



KP 320 0198 >> AYAR MEKANİZMA PUL SEKMAN TAKIMI
CALIPER ADJUSTING MECHANISM WASHER & RING SET



KP 320 0199 >> AYAR MEKANİZMA PUL SEKMAN TAKIMI
CALIPER ADJUSTING MECHANISM WASHER & RING SET



KP 320 0200 >> AYAR ÇİVATASI PİMLİ
CALIBRATION BOLT (W / PIN) SHORT

76 MM.



17.5"

KP 320 0201 >> AYAR ÇİVATASI YARIKLI
CALIBRATION BOLT (W / GROOVE) SHORT

76 MM.



17.5"

KP 320 0228 >> AYAR ÇİVATASI PİMLİ
CALIBRATION BOLT (W / PIN)

80.4 MM.



19.5"/22.5"

KP 320 0393 >> İPAT TUTUCU TAMİR TK.
BRAKE PAD RETAINER KIT





SINGLE PISTON W 17,5" / W 19,5" / W 22,5"



KP 320 0203 >> BALATA PLEYTİ PİMLİ-R
CALIPER BRAKE LINING PLATE (W/PIN) -R-



17.5"

KP 320 0202 >> BALATA PLEYTİ PİMLİ-L
CALIPER BRAKE LINING PLATE (W/PIN) -L-



17.5"

KP 320 0205 >> BALATA PLEYTİ YARIKLI-R
CALIPER BRAKE LINING PLATE (W/GROOVE) -R-



17.5"

KP 320 0204 >> BALATA PLEYTİ YARIKLI-L
CALIPER BRAKE LINING PLATE (W/GROOVE) -L-



17.5"

KP 320 0063 >> BALATA PLEYTİ YARIKLI-R
CALIPER BRAKE LINING PLATE (W/GROOVE) -R-



19.5"

KP 320 0061 >> BALATA PLEYTİ YARIKLI-L
CALIPER BRAKE LINING PLATE (W/GROOVE) -L-



19.5"

KP 320 0227 >> BALATA PLEYTİ YARIKLI-R
CALIPER BRAKE LINING PLATE (W/GROOVE) -R-



22.5"

KP 320 0062 >> BALATA PLEYTİ YARIKLI-L
CALIPER BRAKE LINING PLATE (W/GROOVE) -L-



22.5"

KP 320 0394 >> İPAT TUTUCU TAMİR TK.
BRAKE PAD RETAINER KIT



19.5"

KP 320 0395 >> İPAT TUTUCU TAMİR TK.
BRAKE PAD RETAINER KIT



22.5"



SINGLE PISTON W 17,5" / W 19,5" / W 22,5"



KP 320 0206 ➤ TOZ LASTİK VE PERNO TAKIMI
CALIPER PIN & DUST RUBBER SET



17.5"

12999699 - 12999702

PARÇA NO PART NUMBER	STOK KODU STOCK CODE	PARÇA ADI PART NAME	ÖLÇÜ DIMENSION	ADET PIECE
1	KP 320 0374	PERNO / PIN	30x75 MM.	1
2	KP 320 0375	PERNO / PIN	30x88 MM.	1
3	KP 320 0376	PERNO CİVATASI / PIN BOLT	70 MM./16x1,5	1
4	KP 320 0377	PERNO CİVATASI / PIN BOLT	90 MM./16x1,5	1
5	KP 320 0378	MEKANİZMA TOZ LASTİĞİ KIRMIZI CALIPER ADJUSTING MECHANISM DUST RUBBER RED		1
6	KP 320 0379	PERNO TOZ LASTİĞİ YEŞİL CALIPER PIN DUST RUBBER GREEN		2
7	KP 320 0380	PERNO BURCU / PIN BUSH	34x30x20	2
8	KP 320 0381	PERNO TAPASI / PIN CAP	34x17	2
9	KP 320 0382	PERNO BURCU / PIN BUSH	34x30x25	1

KP 320 0207 ➤ TOZ LASTİK VE PERNO TAKIMI
CALIPER PIN & DUST RUBBER SET



17.5"

KP 320 0208 ➤ TOZ LASTİK VE CİVATA TAKIMI
DUST RUBBER & BOLT SET



17.5"

12999704

KP 320 0209 ➤ TOZ LASTİK VE BURÇ TAKIMI
DUST RUBBER & BUSH SET



17.5"

KP 320 0210 ➤ TOZ LASTİK BURÇ & CİVATA TAKIMI
DUST RUBBER BUSH & BOLT SET



17.5"

KP 320 0211 ➤ KAPAK VE PERNO TAKIMI
CALIPER CAP & PIN SET



17.5"

12999580

KP 320 0212 ➤ PERNO TAKIMI / CALIPER PIN SET



17.5"



SINGLE PISTON W 17,5" / W 19,5" / W 22,5"



KP 320 0213 >> KAPAK CONTA VE KEÇE TAKIMI
CALIPER HEAD GASKET AND SEAL SET



17.5"

KP 320 0363 >> KAPAK CONTA VE KEÇE TAKIMI
CALIPER HEAD GASKET AND SEAL SET



17.5"

KP 320 0370 >> KAPAK CONTA VE KEÇE TAKIMI
CALIPER HEAD GASKET AND SEAL SET



19.5" - 22.5"

KP 320 0237 >> TOZ LASTİK TAKIMI
CALIPER DUST RUBBER SET



19.5" - 22.5"

KP 320 0215 >> TOZ LASTİK TAKIMI
CALIPER DUST RUBBER SET



17.5"

KP 320 0216 >> TOZ LASTİK TAKIMI
CALIPER DUST RUBBER SET



17.5"

KP 320 0396 >> TOZ LASTİK TAKIMI
CALIPER DUST RUBBER SET



17.5"

KP 320 0397 >> TOZ LASTİK KEÇE TAKIMI
CALIPER DUST RUBBER SEAL SET



17.5"

KP 320 0229 >> TOZ LASTİK KEÇE TAKIMI
CALIPER DUST RUBBER SEAL SET



19.5" - 22.5"



SINGLE PISTON W 17,5" / W 19,5" / W 22,5"



KP 320 0230 >> TOZ LASTİK VE PERNO TAKIMI / CALIPER PIN & DUST RUBBER SET



PARÇA NO PART NUMBER	STOK KODU STOCK CODE	PARÇA ADI PART NAME	ÖLÇÜ DIMENSION	ADET PIECE
1	KP 320 383	PERNO / PIN	38X76 MM.	1
2	KP 320 384	PERNO / PIN	38X118 MM.	1
3	KP 320 385	PERNO CIVATASI / PIN BOLT	80 MM./16x1,5	1
4	KP 320 386	PERNO CIVATASI / PIN BOLT	120 MM./16x1,5	1
5	KP 320 387	MEKANİZMA TOZ LASTİĞİ YEŞİL CALIPER ADJUSTING MECHANISM DUST RUBBER GREEN		1
6	KP 320 388	PERNO TOZ LASTİĞİ YEŞİL CALIPER PIN DUST RUBBER GREEN		2
7	KP 320 389	PERNO BURCU / PIN BUSH	42x38x30	3
8	KP 320 390	PERNO TAPASI / PIN CAP	42x17	1
9	KP 320 391	PERNO TAPASI / PIN CAP	42x28	1
10	KP 320 392	PERNO TOZ LASTİK SACI / WASHER		2

KP 320 0231 >> TOZ LASTİK VE PERNO TAKIMI CALIPER PIN & DUST RUBBER SET



KP 320 0232 >> TOZ LASTİK VE PERNO TAKIMI CALIPER PIN & DUST RUBBER SET



KP 320 0233 >> TOZ LASTİK VE PERNO TAKIMI CALIPER PIN & DUST RUBBER SET



KP 320 0234 >> TOZ LASTİK VE PERNO TAKIMI CALIPER PIN & DUST RUBBER SET



KP 320 0235 >> TOZ LASTİK VE PERNO TAKIMI CALIPER PIN & DUST RUBBER SET



KP 320 0236 >> PERNO TAKIMI / CALIPER PIN SET

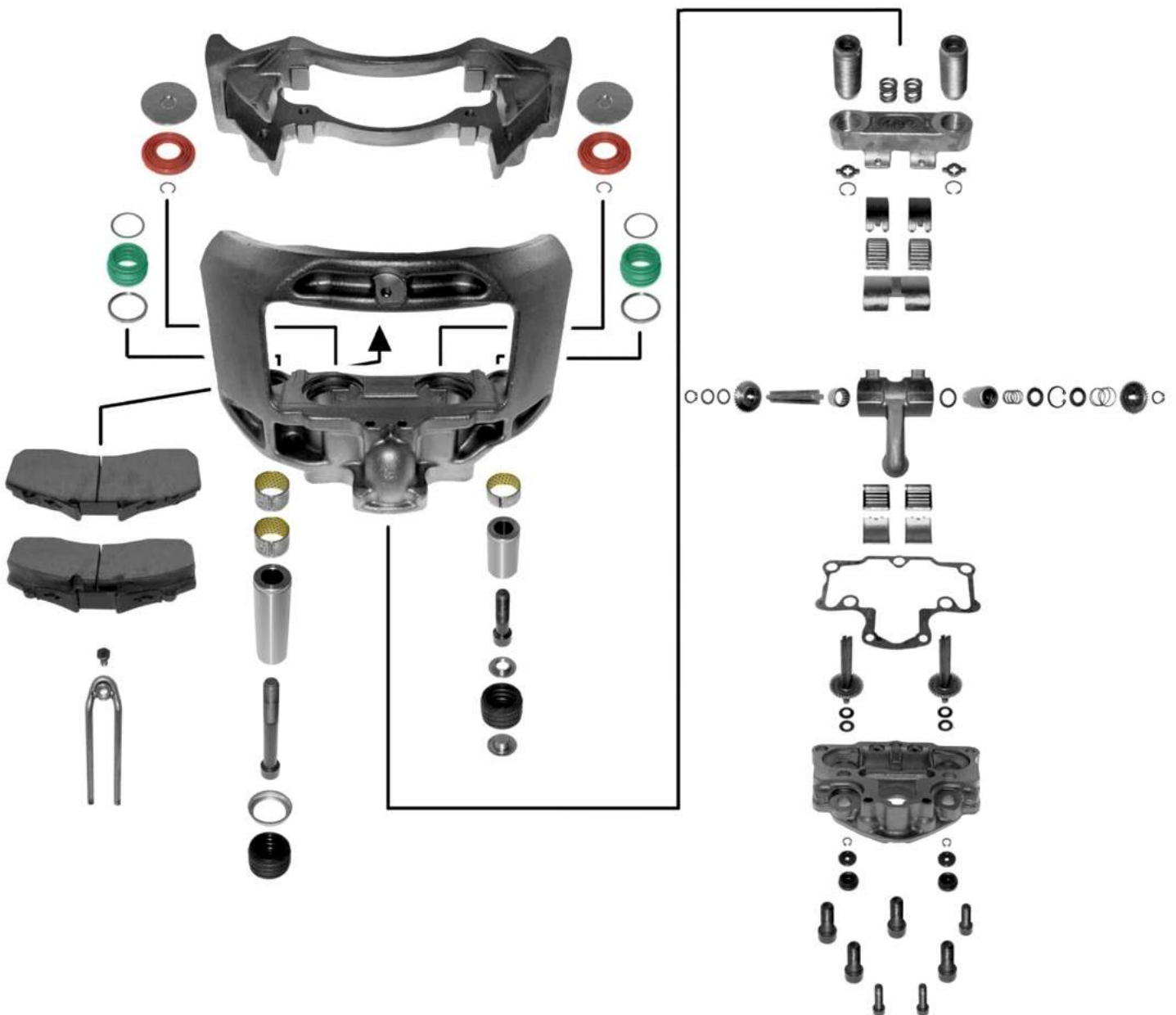




DOUBLE PISTON
9.5" - 22.5"

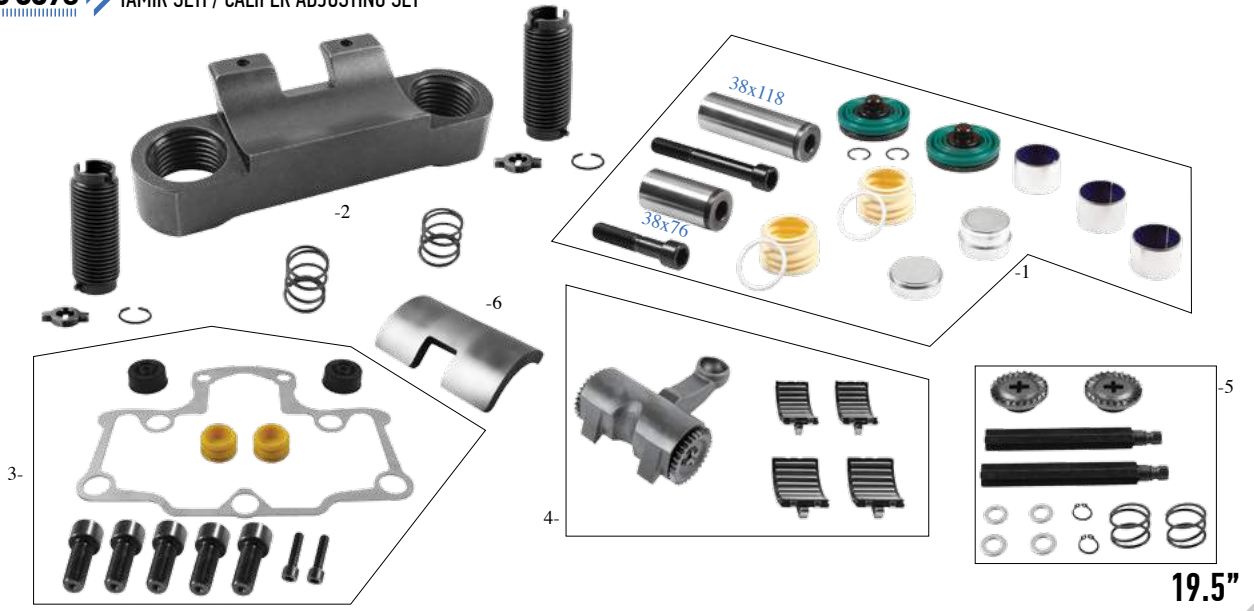
www.hd.com.tr

DOUBLE PISTON 19.5" - 22.5"



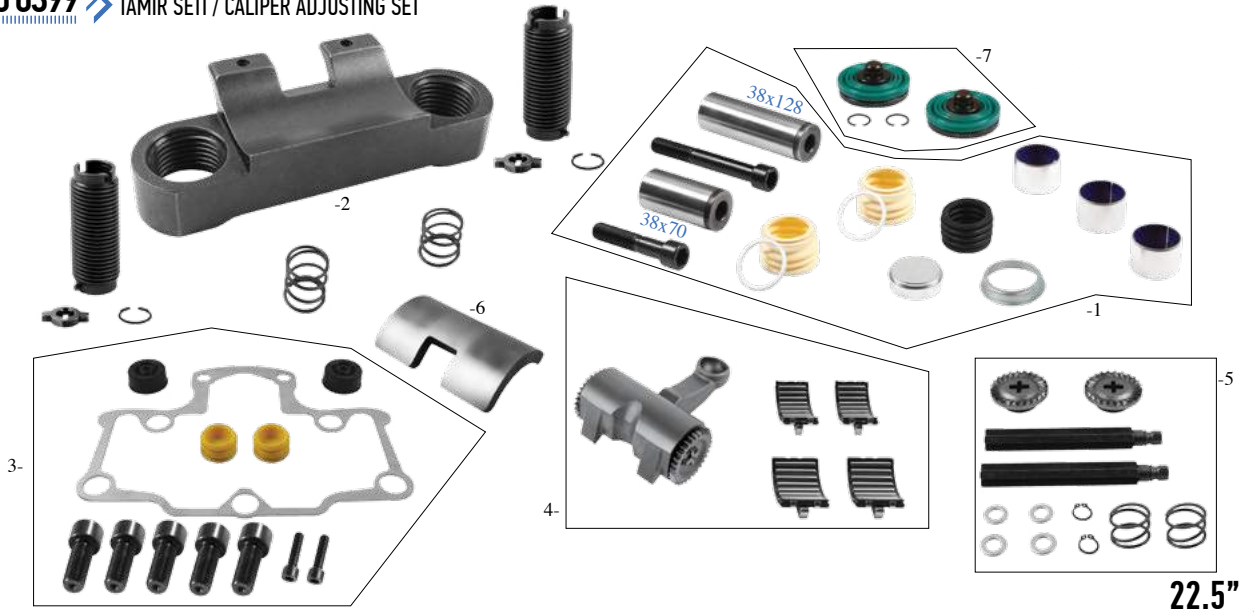


KP 320 0398 ➤ TAMİR SETİ / CALIPER ADJUSTING SET



PARÇA NO PART NUMBER	STOK KODU STOCK CODE	PARÇA ADI PART NAME	ÖLÇÜ DIMENSION	ADET PIECE
1	KP 320 0082	TOZ LASTİK VE PERNO TAKIMI / CALIPER PIN & DUST RUBBER SET		1
2	KP 320 0239	MASURA BİLYA YATAĞI VE CİVATA TAKIMI / SHAFT HOUSING & BOLT SET		1
3	KP 320 0260	KAPAK CONTA VE KEÇE TAKIMI / CALIPER HEAD GASKET AND SEAL SET		1
4	KP 320 0249	MASURA BİLYA YATAĞI SETİ VE BİLYA TAKIMI / LEVER AND ROLLER BEARING SET		1
5	KP 320 0256	MASURA BİLYA YATAĞI CIRCİR TAKIMI/ LEVER BEARING ADJUSTING SET		1
6	KP 320 0248	MASURA BİLYA YATAĞI / ROLLER BEARING HOUSING		1

KP 320 0399 ➤ TAMİR SETİ / CALIPER ADJUSTING SET



PARÇA NO PART NUMBER	STOK KODU STOCK CODE	PARÇA ADI PART NAME	ÖLÇÜ DIMENSION	ADET PIECE
1	KP 320 0400	TOZ LASTİK VE PERNO TAKIMI / CALIPER PIN & DUST RUBBER SET		1
2	KP 320 0239	MASURA BİLYA YATAĞI VE CİVATA TAKIMI / SHAFT HOUSING & BOLT SET		1
3	KP 320 0260	KAPAK CONTA VE KEÇE TAKIMI / CALIPER HEAD GASKET AND SEAL SET		1
4	KP 320 0249	MASURA BİLYA YATAĞI SETİ VE BİLYA TAKIMI / LEVER AND ROLLER BEARING SET		1
5	KP 320 0256	MASURA BİLYA YATAĞI CIRCİR TAKIMI/ LEVER BEARING ADJUSTING SET		1
6	KP 320 0248	MASURA BİLYA YATAĞI / ROLLER BEARING HOUSING		1
7	KP 320 0214	TOZ LASTİK TAKIMI / DUST RUBBER SET		1



DOUBLE PISTON W 19,5" / W 22,5"



KP 320 0239 >> MASURA BİLYA YATAĞI VE CİVATA TAKIMI
SHAFT HOUSING & BOLT SET



KP 320 0240 >> DÜRBÜN / SHAFT HOUSING



KP 320 0241 >> AYAR CİVATASI R / CALIBRATION BOLT R



KP 320 0242 >> AYAR CİVATASI L / CALIBRATION BOLT L



KP 320 0243 >> AYAR CİVATASI R / CALIBRATION BOLT R



KP 320 0244 >> AYAR CİVATASI L / CALIBRATION BOLT L



KP 320 0245 >> MASURA BİLYA / ROLLER BEARING



KP 320 0246 >> MASURA BİLYA / ROLLER BEARING



KP 320 0247 >> MASURA BİLYA / ROLLER BEARING



KP 320 0248 >> MASURA BİLYA YATAĞI / ROLLER BEARING HOUSING





DOUBLE PISTON W 19,5" / W 22,5"



KP 320 0249 >> MASURA BİLYA YATAK SETİ VE BİLYA TAKIMI
LEVER AND ROLLER BEARING SET



KP 320 0250 >> MASURA BİLYA YATAK SETİ
LEVER SET



KP 320 0251 >> MASURA BİLYA YATAK SETİ VE BİLYA TAKIMI
LEVER AND ROLLER BEARING SET



KP 320 0252 >> MASURA BİLYA YATAĞI
LEVER



KP 320 0253 >> MASURA BİLYA YATAĞI CİRCİR TAKIMI
LEVER BEARING ADJUSTING SET



KP 320 0259 >> AYAR CİVATASI PİM TAKIMI
CALIBRATION BOLT PIN SET



KP 320 0255 >> MASURA BİLYA YATAK PİMİ
LEVER PIN



KP 320 0256 >> MASURA BİLYA YATAĞI CİRCİR TAKIMI
LEVER BEARING ADJUSTING SET



KP 320 0257 >> MASURA BİLYA YATAĞI CİRCİR TAKIMI
LEVER BEARING ADJUSTING SET



KP 320 0258 >> MASURA BİLYA YATAĞI CİRCİR TAKIMI
LEVER BEARING ADJUSTING SET





DOUBLE PISTON W 19,5" / W 22,5"



KP 320 0082 >> TOZ LASTİK VE PERNO TAKIMI CALIPER PIN & DUST RUBBER SET



12999746

PARÇA NO PART NUMBER	STOK KODU STOCK CODE	PARÇA ADI PART NAME	ÖLÇÜ DIMENSION	ADET PIECE
1	KP 320 0214	TOZ LASTİK TAKIMI CALIPER DUST RUBBER SET		1
2	KP 320 0383	PERNO / PIN	38X76 MM.	1
3	KP 320 0384	PERNO / PIN	38X118 MM.	1
4	KP 320 0385	PERNO CİVATASI / PIN BOLT	80 MM./16x1,5	1
5	KP 320 0386	PERNO CİVATASI / PIN BOLT	120 MM./16x1,5	1
6	KP 320 0401	PERNO TOZ LASTİĞİ BEYAZ CALIPER PIN DUST RUBBER WHITE		2
7	KP 320 0389	PERNO BURCU / PIN BUSH	42x38x30	3
8	KP 320 0390	PERNO TAPASI / PIN CAP	42x17	1
9	KP 320 0391	PERNO TAPASI / PIN CAP	42x28	1
10	KP 320 0402	KAPAK TAPASI KAÇUK CALIPER HEAD CAP		2
11	KP 320 0392	PERNO TOZ LASTİK SACI / WASHER		2

KP 320 0263 >> TOZ LASTİK VE PERNO TAKIMI CALIPER PIN & DUST RUBBER SET



KP 320 0400 >> TOZ LASTİK VE PERNO TAKIMI CALIPER PIN & DUST RUBBER SET



12999678

KP 320 0214 >> TOZ LASTİK TAKIMI CALIPER DUST RUBBER SET



KP 320 0264 >> TOZ LASTİK TAKIMI CALIPER DUST RUBBER SET



KP 320 0449 >> TOZ LASTİK TAKIMI CALIPER DUST RUBBER SET



12999677

KP 320 0403 >> DİŞLİ TAKIMI -R- L GEAR SET -R- L



KP 320 0254 >> DİŞLİ TAKIMI GEAR SET

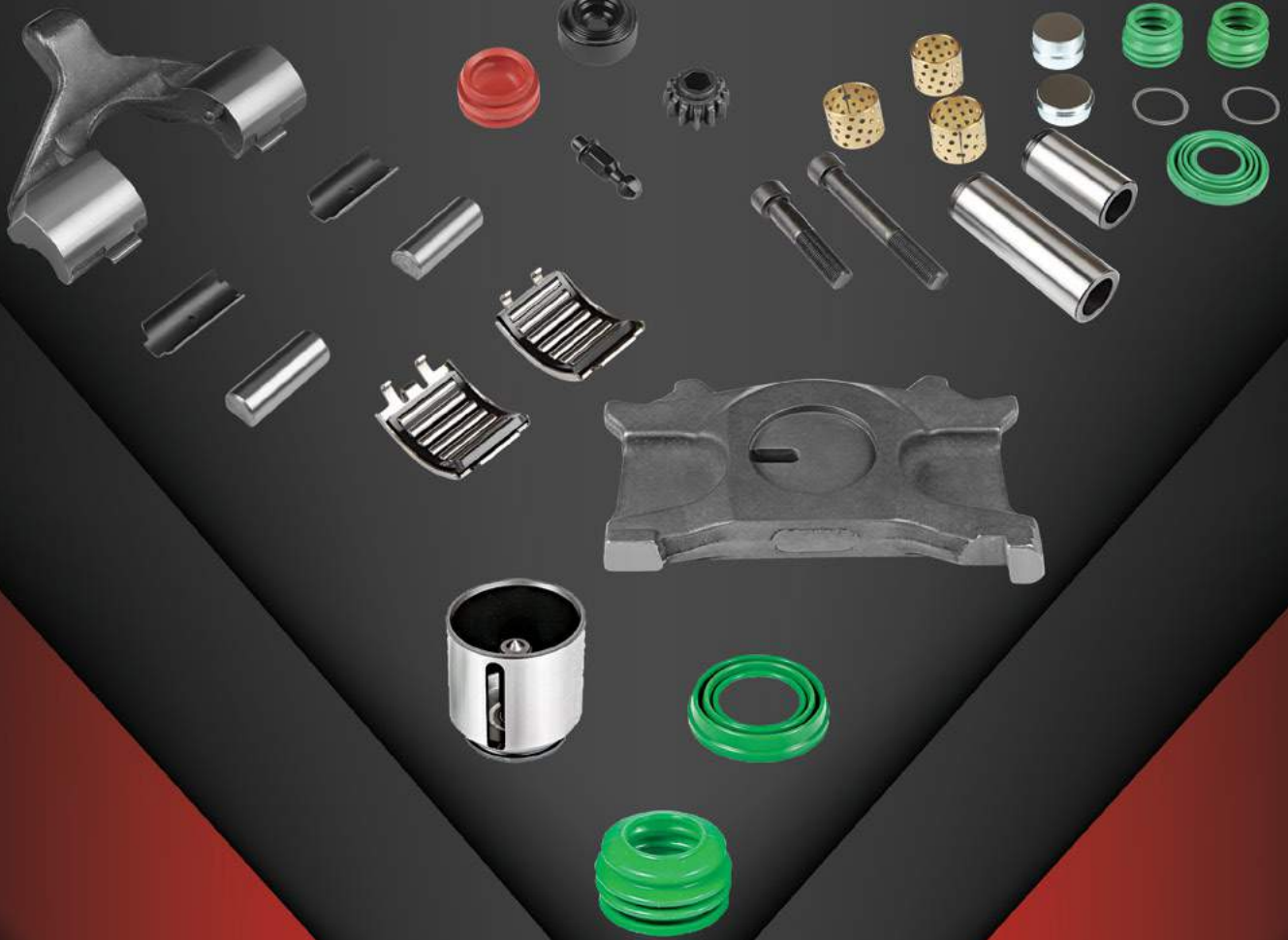


KP 320 0260 >> KAPAK CONTA VE KEÇE TAKIMI CALIPER HEAD GASKET AND SEAL SET



KP 320 0404 >> İPAT TUTUCU TAMİR TK. BRAKE PAD RETAINER KIT

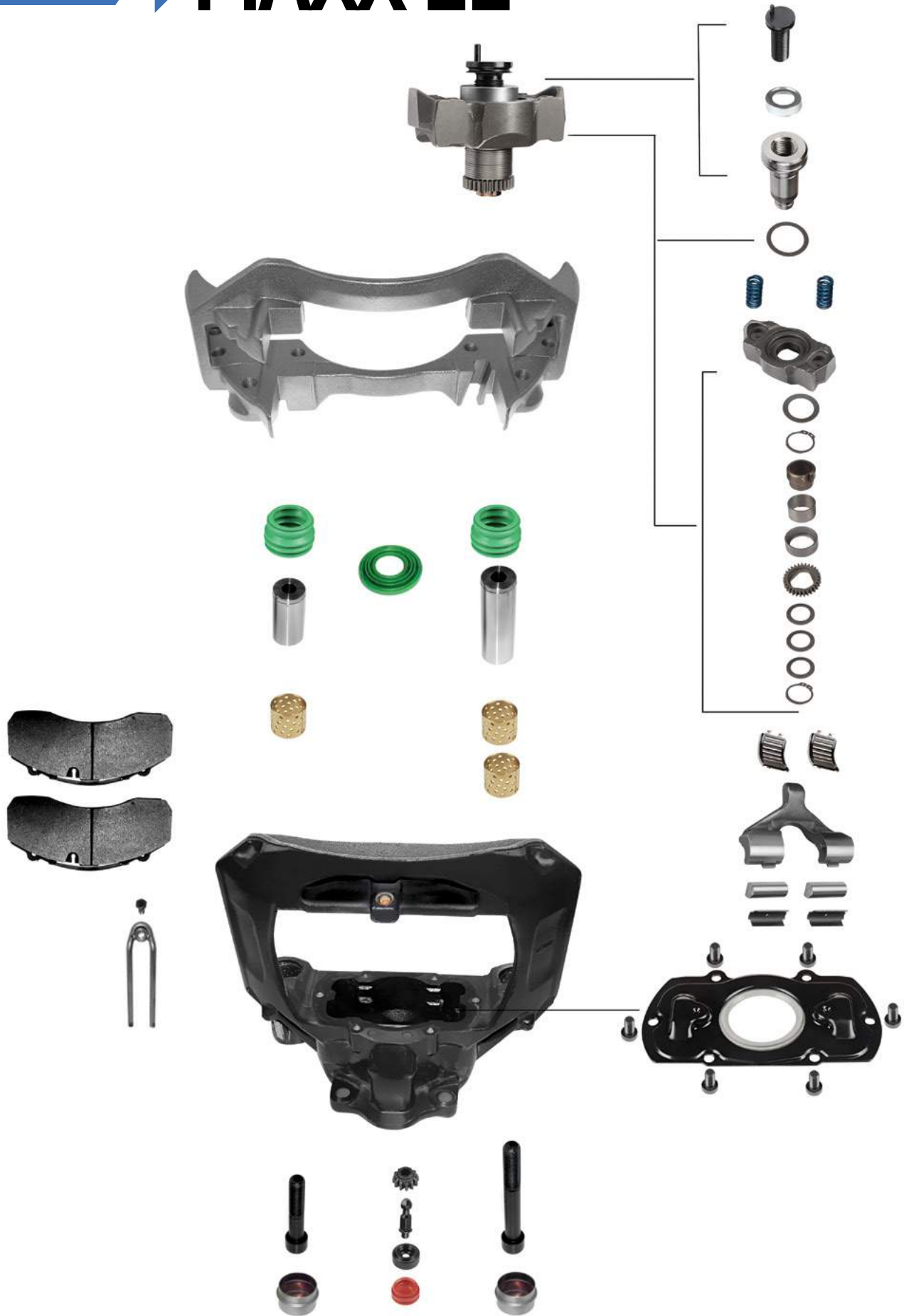


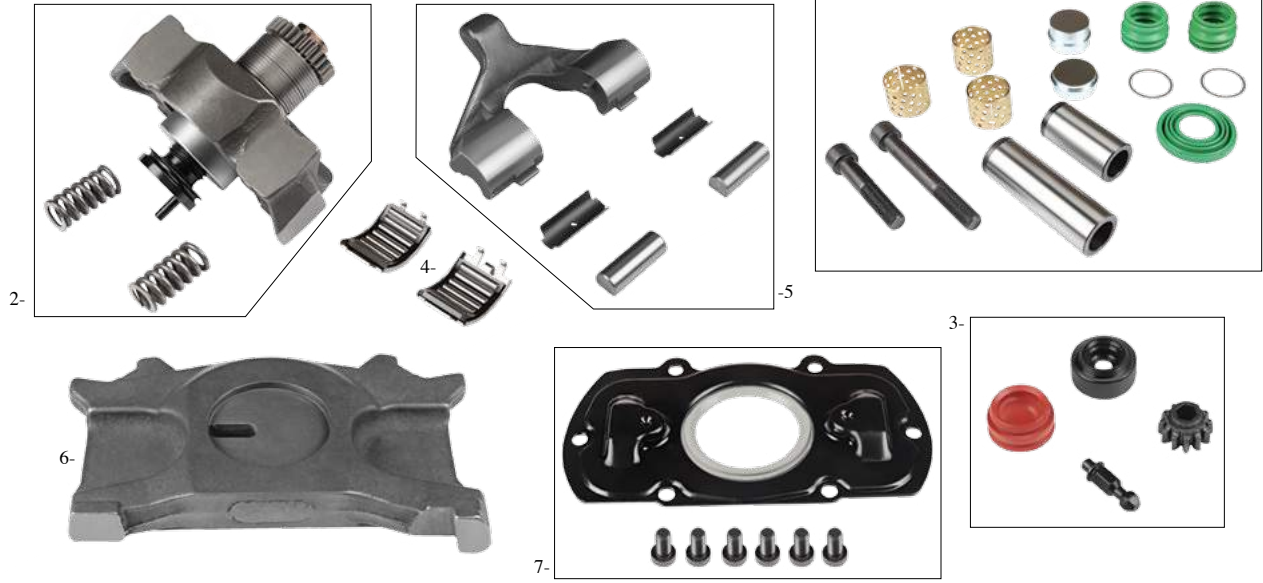


MAXX 22
1000 V-G 1600 V-G

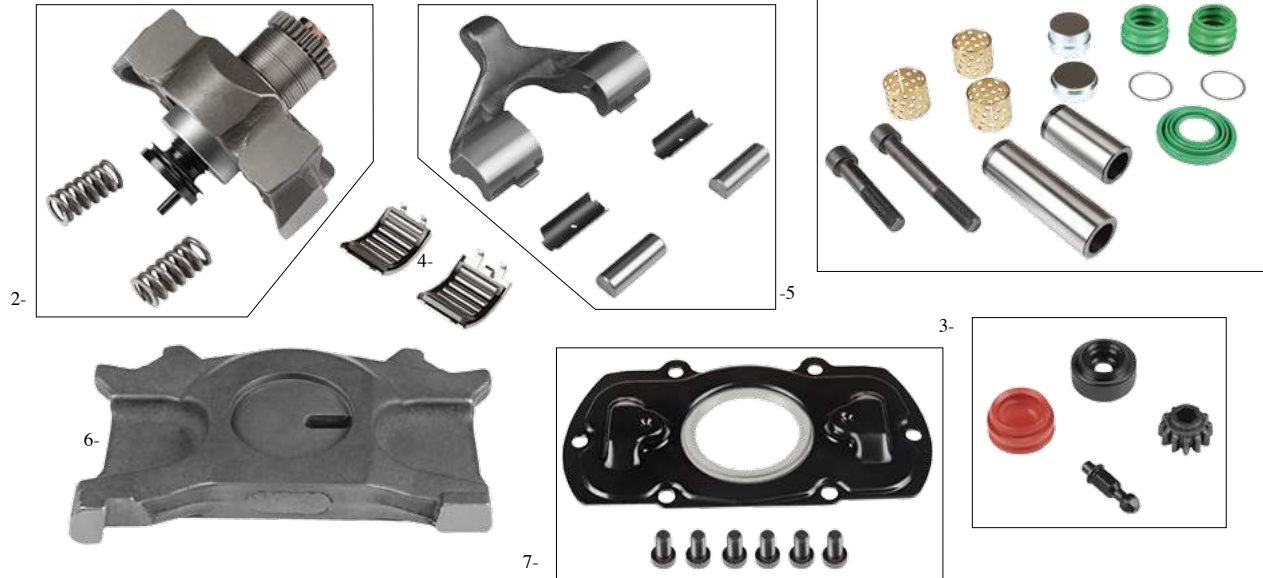
www.hd.com.tr

MAXX 22



KP 320 0405 > TAMİR SETİ PİMLİ -R / CALIPER ADJUSTING SET (W/PIN) LONG -R


PARÇA NO PART NUMBER	STOK KODU STOCK CODE	PARÇA ADI PART NAME	ÖLÇÜ DIMENSION	ADET PIECE
1	KP 320 0406	TOZ LASTİK VE PERNO TAKIMI / CALIPER PIN & DUST RUBBER SET		1
2	KP 320 0407	TAMİR SETİ PİMLİ / CALIPER ADJUSTING SET (W/PIN) LONG		1
3	KP 320 0408	CİRCİR AYAR TAKIMI / ADJUSTING CALIBRATION SET		1
4	KP 320 0409	MASURA BİLYA TAKIMI / ROLLER BEARING SET		1
5	KP 320 0410	MASURA BİLYA YATAĞI / LEVER		1
6	KP 320 0411	BALAT PLEYTİ YARIKLI -R / CALIPER BRAKE LINING PLATE (W/GROOVE) -R		1
7	KP 320 0412	SAÇ KAPAK / SHEET METAL CUP		1

KP 320 0413 > TAMİR SETİ PİMLİ -L / CALIPER ADJUSTING SET (W/PIN) LONG -L


PARÇA NO PART NUMBER	STOK KODU STOCK CODE	PARÇA ADI PART NAME	ÖLÇÜ DIMENSION	ADET PIECE
1	KP 320 0406	TOZ LASTİK VE PERNO TAKIMI / CALIPER PIN & DUST RUBBER SET		1
2	KP 320 0407	TAMİR SETİ PİMLİ / CALIPER ADJUSTING SET (W/PIN) LONG		1
3	KP 320 0408	CİRCİR AYAR TAKIMI / ADJUSTING CALIBRATION SET		1
4	KP 320 0409	MASURA BİLYA TAKIMI / ROLLER BEARING SET		1
5	KP 320 0410	MASURA BİLYA YATAĞI / LEVER		1
6	KP 320 0414	BALAT PLEYTİ YARIKLI -L / CALIPER BRAKE LINING PLATE (W/GROOVE) -L		1
7	KP 320 0412	SAÇ KAPAK / SHEET METAL CUP		1



KP 320 0407 ➤ TAMİR SETİ PİMLİ
CALIPER ADJUSTING MECHANISM (W/PIN)



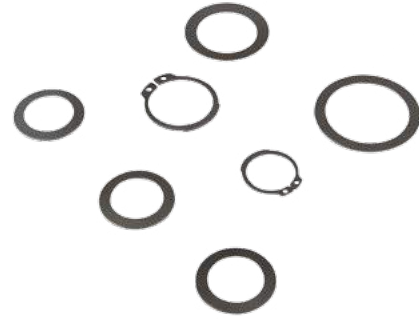
KP 320 0415 ➤ AYAR MEKANİZMASI PİMLİ
CALIPER ADJUSTING MECHANISM (W/PIN)



KP 320 0417 ➤ DÜRBÜN
SHAFT HOUSING



KP 320 0418 ➤ AYAR MEKANİZMA PUL SEKMAN TAKIMI
CALIPER ADJUSTING MECHANISM WASHER & RING SET



KP 320 0416 ➤ AYAR CİVATASI PİMLİ
CALIBRATION BOLT (W/PIN)



KP 320 0410 ➤ MASURA BİLYA YATAĞI
LEVER



KP 320 0419 ➤ MASURA BİLYA TAKIMI
ROLLER BEARING SET



KP 320 0409 ➤ MASURA BİLYA TAKIMI
ROLLER BEARING SET





KP 320 0412 >> SAÇ KAPAK
SHEET METAL COVER



KP 320 0420 >> MEKANİZMA TOZ SACI TAKIMI
MECHANISM SHIELD SET



KP 320 0421 >> KAPAK CONTA TAKIMI
COVER SEAL SET



KP 320 0422 >> MEKANİZMA LASTİK TAKIMI
ADJUSTING DUST SET



KP 320 0411 >> BALATA PLEYTİ YARIKLI -R
CALIPER BRAKE LINING PLATE (W/PIN) -R



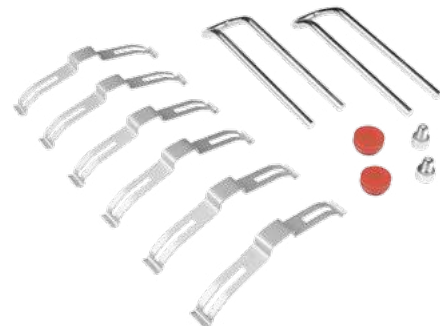
KP 320 0414 >> BALATA PLEYTİ YARIKLI - L
CALIPER BRAKE LINING PLATE (W/PIN) - L



KP 320 0408 >> CIRCİR AYAR TAKIMI
ADJUSTING CALIBRATION SET



KP 320 0423 >> İPAT TUTUCU TAMİR TK.
BRAKE PAD RETAINER KIT



6403229272



KP 320 0406 ➤ TOZ LASTİK VE PERNO TAKIMI
CALIPER PIN & DUST RUBBER SET



6403229262

PARÇA NO PART NUMBER	STOK KODU STOCK CODE	PARÇA ADI PART NAME	ÖLÇÜ DIMENSION	ADET PIECE
1	KP 320 0383	PERNO / PIN	38X76 MM.	1
2	KP 320 0384	PERNO / PIN	38X118 MM.	1
3	KP 320 0385	PERNO CİVATASI / PIN BOLT	80 MM./16x1,5	1
4	KP 320 0386	PERNO CİVATASI / PIN BOLT	120 MM./16x1,5	1
5	KP 320 0387	MEKANİZMA TOZ LASTİĞİ YEŞİL CALIPER ADJUSTING MECHANISM DUST RUBBER GREEN		1
6	KP 320 0388	PERNO TOZ LASTİĞİ YEŞİL CALIPER PIN DUST RUBBER GREEN		2
7	KP 320 0424	PERNO BURCU / PIN BUSH	42x38x35	3
8	KP 320 0390	PERNO TAPASI / PIN CAP	42x17	1
9	KP 320 0425	KAPAK TAPASI KAUÇUK CALIPER HEAD CAP		1
10	KP 320 0392	PERNO TOZ LASTİK SACI / WASHER		2

KP 320 0426 ➤ TOZ LASTİK VE PERNO TAKIMI
CALIPER PIN & DUST RUBBER SET



KP 320 0237 ➤ MEKANİZMA LASTİK VE TOZ SACI TAKIMI
MECHANISM SHIELD AND DUST SET



KP 320 0427 ➤ TOZ LASTİK VE KEÇE TAKIMI
CALIPER DUST RUBBER SEAL SET



6403229322

KP 320 0428 ➤ TOZ LASTİK VE KEÇE TAKIMI
CALIPER DUST RUBBER SEAL SET



KP 010 0001 ➤ GRES YAĞI / GREASE





KP 320 0429 > KALİPER ŞAFT SETİ / CALIPER SHAFT SET -R



KP 320 0430 > KALİPER ŞAFT SETİ / CALIPER SHAFT SET -L





KP 320 0431 >> KALİPER ŞAFT TAKIMI / CALIPER SHAFT SET -R



12999548

KP 320 0432 >> KALİPER ŞAFT TAKIMI / CALIPER SHAFT SET -L



12999547

KP 320 0433 >> KALİPER ŞAFT TAKIMI / CALIPER SHAFT SET -R



12999550

KP 320 0434 >> KALİPER ŞAFT TAKIMI / CALIPER SHAFT SET -L



12999549

KP 320 0435 >> TOZ LASTİK VE PERNO TAKIMI
CALIPER PIN & DUST RUBBER SET



12999551

KP 320 0436 >> MASURA RULMAN TAKIMI
ROLLER BEARING SET



KP 320 0437 >> TOZ LASTİK
CALIPER DUST RUBBER SET



12999552

KP 320 0438 >> TOZ LASTİK
CALIPER DUST RUBBER SET



KP 320 0439 >> BALATA PLEYTİ
CALIPER BRAKE LINING PLATE




KP 320 0218 TOZ LASTİK VE PERNO TAKIMI / CALIPER PIN & DUST RUBBER SET


12999729

PARÇA NO PART NUMBER	STOK KODU STOCK CODE	PARÇA ADI PART NAME	ÖLÇÜ DIMENSION	ADET PIECE
1	KP 320 0440	PERNO / PIN	25x81 MM.	4
2	KP 320 0441	PERNO CİVATASI / PIN BOLT	90 MM./12x1,5	4
3	KP 320 0442	CİVATA / BOLT	20 MM./M6	2
4	KP 320 0377	PERNO TOZ LASTİĞİ / PIN DUST RUBBER		4
5	KP 320 0443	TOZ LASTİĞİ / DUST RUBBER		2
6	KP 320 0444	PERNO BURCU / PIN BUSH	28x25x15	8
7	KP 320 0445	PERNO TAPASI / PIN CAP	28x16	4
8	KP 320 0446	PLASTİK TAPA / PLASTIC PLUG		2
9	KP 320 0447	ORİNG / O-RING		2
10	01 270 062	KEÇE / SEAL	55x39x12	2
11	KP 320 0448	CİVATA YAYI / BOLT SPRING		2



ELSA 1

www.hd.com.tr

ELSA 1

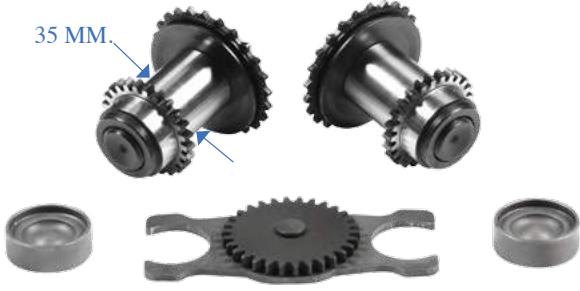


ELSA 1





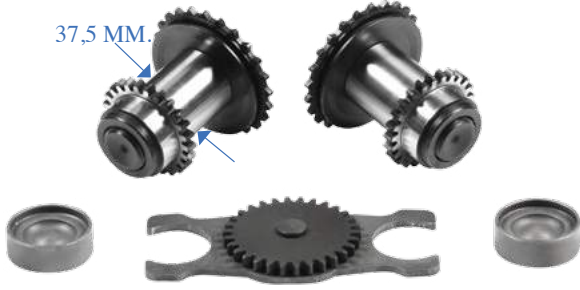
KP 330 0002 >> DIŞLI SETİ-R / GEAR SET -R-



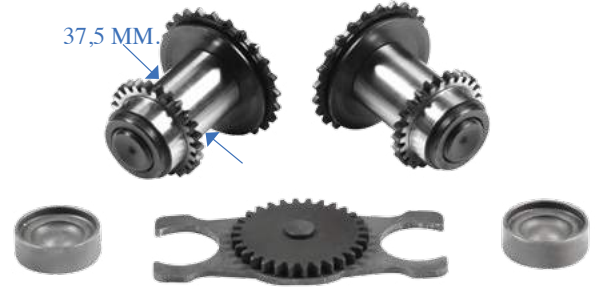
KP 330 0008 >> DIŞLI SETİ-L / GEAR SET -L-



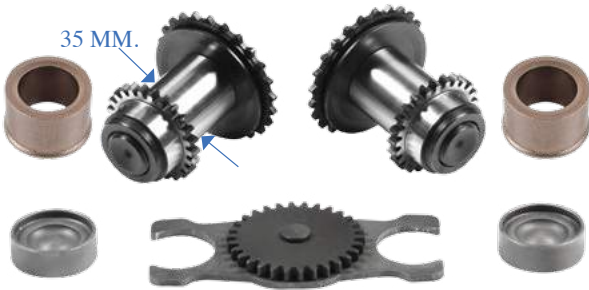
KP 330 0018 >> DIŞLI SETİ-R / GEAR SET -R-



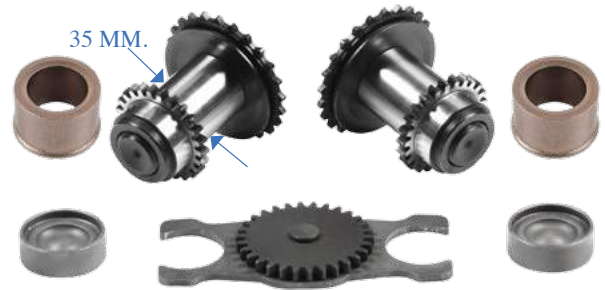
KP 330 0019 >> DIŞLI SETİ-L / GEAR SET -L-



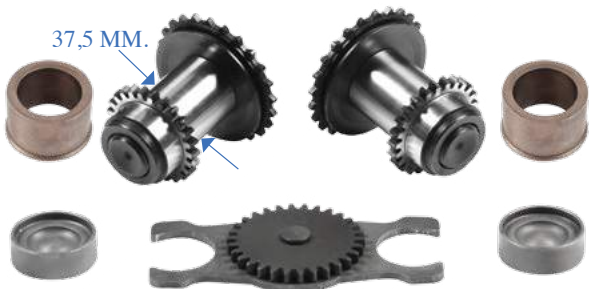
KP 330 0258 >> DIŞLI SETİ-R / GEAR SET -R-



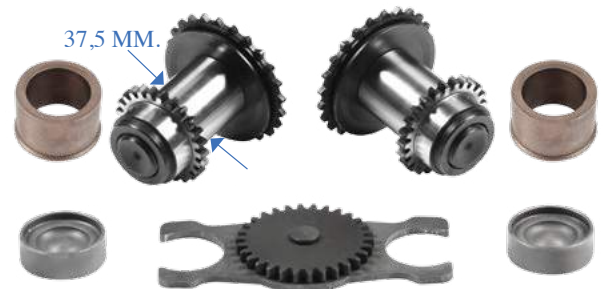
KP 330 0259 >> DIŞLI SETİ-L / GEAR SET -L-



KP 330 0260 >> DIŞLI SETİ-R / GEAR SET -R-



KP 330 0261 >> DIŞLI SETİ-L / GEAR SET -L-





KP 330 0143 ➤ AYAR DİŞLİSİ -R
CALIPER ADJUSTING GEAR - R -



KP 330 0144 ➤ AYAR DİŞLİSİ -L
CALIPER ADJUSTING GEAR - L -



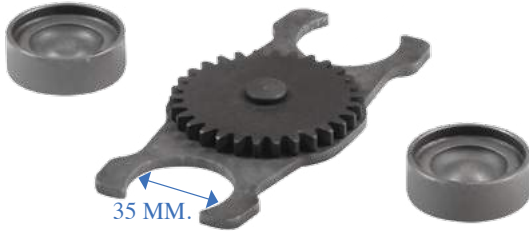
KP 330 0145 ➤ AYAR DİŞLİSİ -R
CALIPER ADJUSTING GEAR - R -



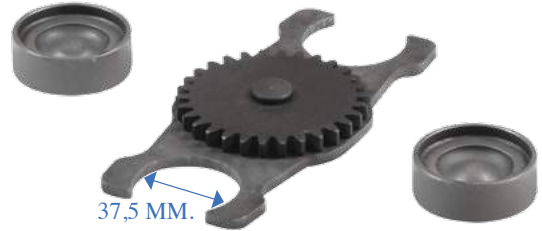
KP 330 0146 ➤ AYAR DİŞLİSİ -L
CALIPER ADJUSTING GEAR - L -



KP 330 0139 ➤ DİŞLİ SABİTLEME SAC VE TAPA TAKIMI
LOCKING SHIM & SLOT SET



KP 330 0140 ➤ DİŞLİ SABİTLEME SAC VE TAPA TAKIMI
LOCKING SHIM & SLOT SET



KP 330 0141 ➤ DİŞLİ SABİTLEME SAC VE TAPA TAKIMI
LOCKING SHIM



KP 330 0142 ➤ DİŞLİ SABİTLEME SAC VE TAPA TAKIMI
LOCKING SHIM





KP 330 0004 >> AYAR MEKANİZMA TAKIMI -R-
ADJUSTING MECHANISM SET -R-



KP 330 0009 >> AYAR MEKANİZMA TAKIMI -L-
ADJUSTING MECHANISM SET -L-



KP 330 0024 >> AYAR MEKANİZMA YATAĞI -R-
ADJUSTING MECHANISM CLUTCH SYSTEM -R-



KP 330 0025 >> AYAR MEKANİZMA YATAĞI -L-
ADJUSTING MECHANISM CLUTCH SYSTEM -L-



KP 330 0367 >> AYAR MEKANİZMA YATAĞI TAKIMI -R-
ADJUSTING MECHANISM CLUTCH SYSTEM SET -R-



KP 330 0368 >> AYAR MEKANİZMA YATAĞI TAKIMI -R-
ADJUSTING MECHANISM CLUTCH SYSTEM SET -R-



KP 330 0147 >> MEKANİZMA YUVASI TAKIMI
ADJUSTING MECHANISM SLOT SET



KP 330 0026 >> AYAR MEKANİZMASI
ADJUSTING MECHANISM



KP 330 0120 >> MANUEL AYAR DİŞLİSİ - R
MANUAL ADJUSTING GEAR - R



3092281 - 68322563PK4

KP 330 0121 >> MANUEL AYAR DİŞLİSİ - L
MANUAL ADJUSTING GEAR - L



68322562PK4



KP 330 0153 >> MASURA BİLYA YATAK TAKIMI -R
ROLLER BEARING LEVER SET -R-



KP 330 0154 >> MASURA BİLYA YATAK TAKIMI -L
ROLLER BEARING LEVER SET -L-



KP 330 0007 >> MASURA BİLYA YATAK TAKIMI -R
ROLLER BEARING LEVER SET -R-



KP 330 0011 >> MASURA BİLYA YATAK TAKIMI -L
ROLLER BEARING LEVER SET -L-



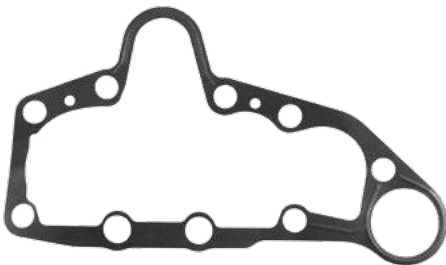
KP 330 0006 >> MASURA BİLYA KİLİT TAKIMI - R -
ROLLER BEARING CLUTCH KIT -R-



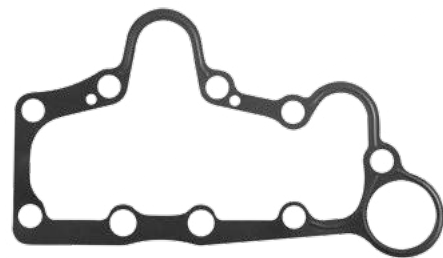
KP 330 0010 >> MASURA BİLYA KİLİT TAKIMI - L -
ROLLER BEARING CLUTCH KIT -L-



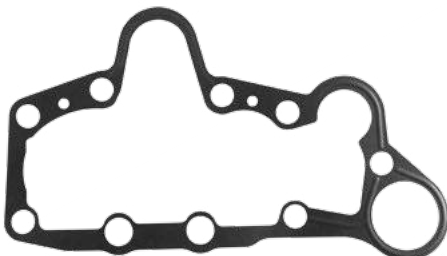
KP 330 0155 >> KAPAK CONTASI / COVER GASKET



KP 330 0156 >> KAPAK CONTASI / COVER GASKET



KP 330 0157 >> KAPAK CONTASI / COVER GASKET



KP 330 0003 >> AYAR DIŞLI SABİTLEME SACI
LOCKING SHIM



68321678PK10

KP 330 0148 >> TOZ LASTİK VE PERNO TAKIMI
CALIPER DUST RUBBER AND PIN SET



KP 330 0021 >> TOZ LASTİK VE PERNO TAKIMI
CALIPER DUST RUBBER AND PIN SET



MCK1103

KP 330 0001 >> TOZ LASTİK VE PERNO TAKIMI
CALIPER DUST RUBBER AND PIN SET

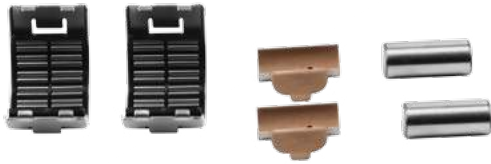


KP 330 0022 >> TOZ LASTİK VE PERNO TAKIMI
CALIPER DUST RUBBER AND PIN SET



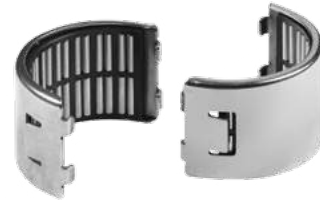
81508026021 - MCK1102

KP 330 0005 >> MASURA BİLYA TAKIMI
ROLLER BEARING SET



SJ4112

KP 330 0119 >> MASURA BİLYA / ROLLER BEARING



KP 330 0107 >> BURÇ TAKIMI / BUSH SET



KP 330 0149 >> GERİ GETİRME YAYI -R-
SPRING RETAINERS THRUST-R-



KP 330 0150 >> GERİ GETİRME YAYI -L-
SPRING RETAINERS THRUST-L-



KP 330 0151 >> TOZ LASTİK TAKIMI
CALIPER DUST RUBBER



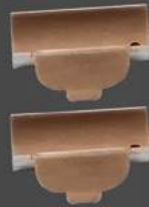
KP 330 0023 >> TOZ LASTİK TAKIMI
CALIPER DUST RUBBER



ST1156

KP 330 0152 >> TOZ LASTİK TAKIMI
CALIPER DUST RUBBER

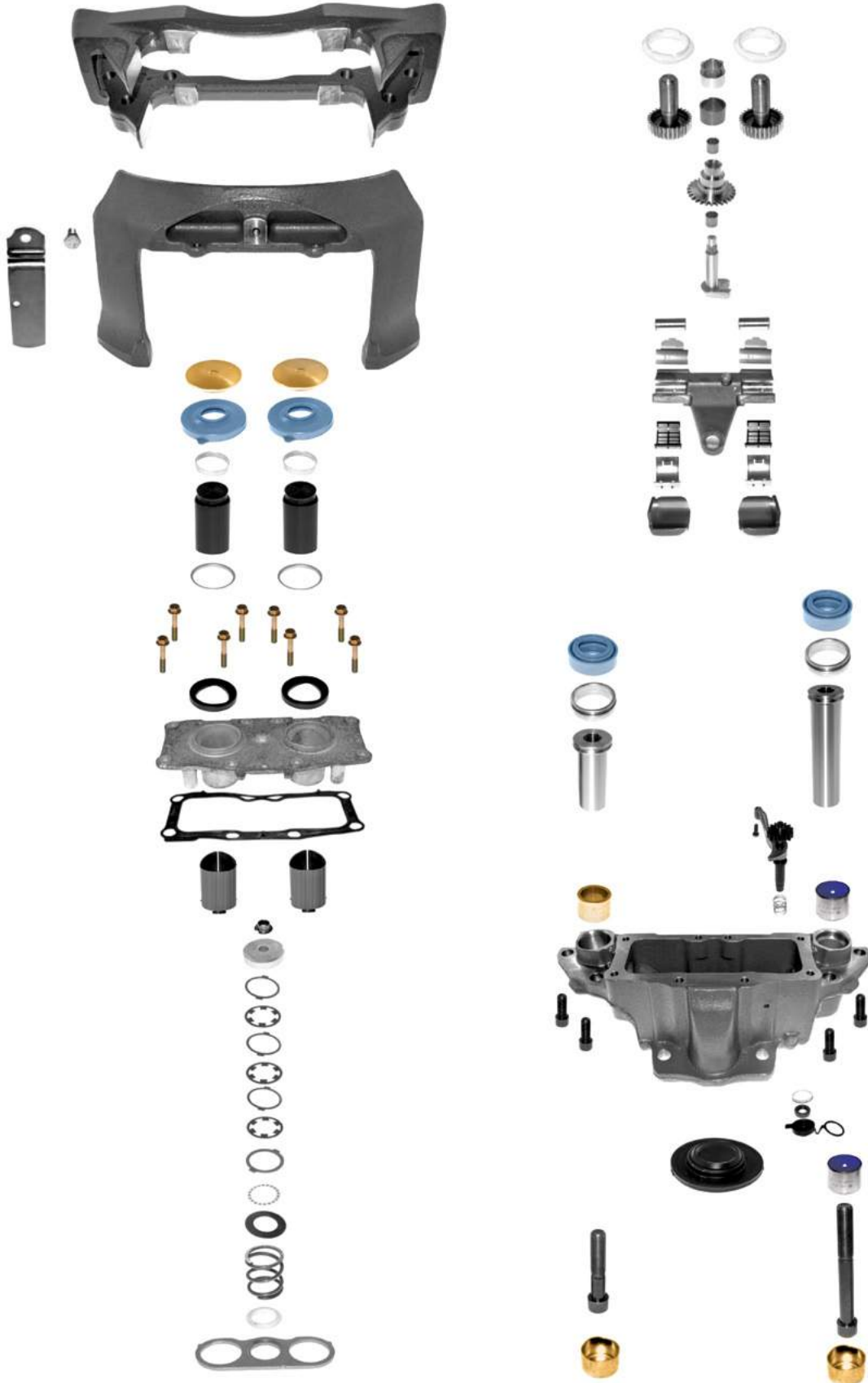




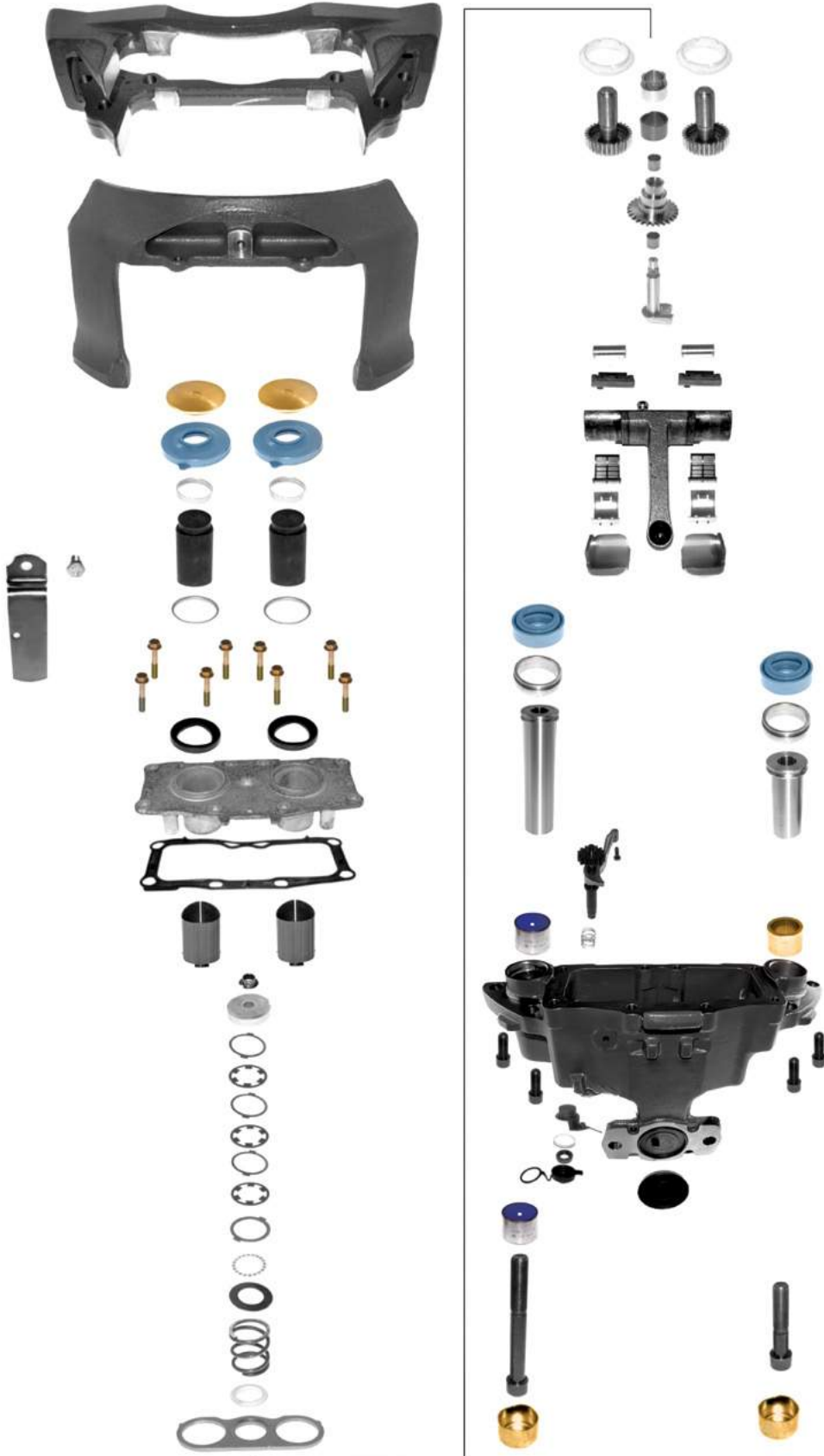
ELSA 2 - ELSA 2 RADIAL

www.hd.com.tr

ELSA 2



ELSA 2 RADIAL



KP 330 0158 >> MEKANİZMA SETİ BURÇLU
MECHANISM ASS'Y (W/BUSH)



KP 330 0159 >> AYAR MEKANİZMA KAPAĞI BURÇLU
MECHANISM COVER (W/BUSH)



KP 330 0030 >> MEKANİZMA SETİ BİLYALI
MECHANISM ASS'Y (W/BEARING)



KP 330 0160 >> AYAR MEKANİZMA KAPAĞI BİLYALI
MECHANISM COVER (W/BEARING)



KP 330 0165 >> MEKANİZMA SETİ
MECHANISM ASS'Y



KP 330 0166 >> AYAR MEKANİZMA KAPAĞI
MECHANISM CAP



KP 330 0163 >> KAPAK CONTASI / COVER GASKET



KP 330 0169 >> KAPAK CONTASI
COVER GASKET





KP 330 0161 >> AYAR MEKANİZMASI
CALIPER ADJUSTING MECHANISM



KP 330 0184 >> KALİPER MEKANİZMASI TAMİR TAKIMI
MECHANISM REPAIR KIT

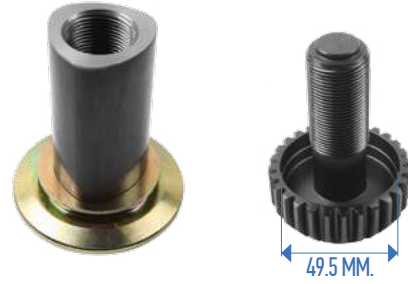


KP 330 0162 >> AYAR DİŞLİ TAKIMI / ADJUSTING GEAR SET



AXIAL

KP 330 0164 >> AYAR DİŞLİSİ / ADJUSTING GEAR



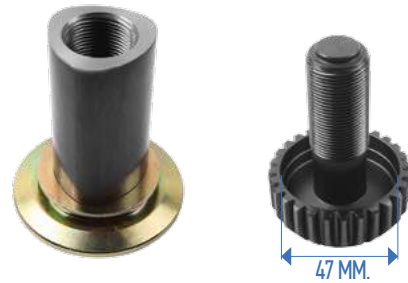
AXIAL

KP 330 0167 >> AYAR DİŞLİ TAKIMI
ADJUSTING GEAR SET



RADIAL

KP 330 0168 >> AYAR DİŞLİSİ
ADJUSTING GEAR



RADIAL

KP 330 0170 >> MASURA BİLYA YATAK TAKIMI / LEVER



AXIAL

KP 330 0172 >> MASURA BİLYA YATAK TAKIMI / LEVER



RADIAL



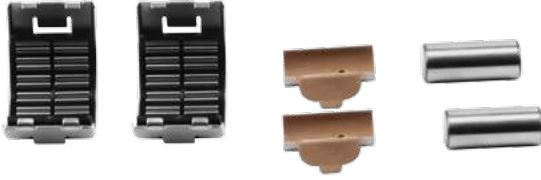
KP 330 0031 >> MANUEL AYAR DİŞLİSİ - R -
MANUEL ADJUSTING GEAR - R -



KP 330 0032 >> MANUEL AYAR DİŞLİSİ - L -
MANUEL ADJUSTING GEAR - L -



KP 330 0005 >> MASURA BİLYA TAKIMI / ROLLER BEARING SET



SJ4112

KP 330 0262 >> MASURA BİLYA TAKIMI
ROLLER BEARING SET



SJ4098

KP 330 0119 >> MASURA BİLYA / ROLLER BEARING



KP 330 0171 >> KAPAK BURÇ VE KEÇE TAKIMI ÜÇGEN / BUSH & SEAL SET



KP 330 0372 >> CONTA VE TOZ LASTİK TAKIMI
COVER GASKET & RUBBER SET



KP 330 0033 >> KALİPER BİLYA YATAK TAKIMI
CALIPER BEARING LEVER SET



KP 330 0190 >> KEÇE / SEAL



KP 330 0034 >> KEÇE / SEAL



KP 330 0027 >> KAÜÇUK TAPA
RUBBER CAP





KP 330 0173 >> TOZ LASTİK VE PERNO TAKIMI
CALIPER DUST RUBBER AND PIN SET



RADIAL

PARÇA NO PART NUMBER	STOK KODU STOCK CODE	PARÇA ADI PART NAME	ÖLÇÜ DIMENSION	ADET PIECE
1	KP 330 0263	PERNO / PIN	31x84 MM.	1
2	KP 330 0264	PERNO / PIN	35x144 MM.	1
3	KP 330 0265	PERNO ÇİVATASI / PIN BOLT	90 MM./18x1,5	1
4	KP 330 0266	PERNO ÇİVATASI / PIN BOLT	150 MM./18x1,5	1
5	KP 330 0267	PERNO TOZ LASTİĞİ CALIPER PIN DUST RUBBER		2
6	KP 330 0268	PISTON TOZ LASTİĞİ CALIPER TAPPET DUST RUBBER		2
7	KP 330 0242	PERNO BURCU KAÜÇUKLU / PIN BUSH	42x31/33x45	1
8	KP 330 0243	PERNO BURCU / PIN BUSH	39x35x30	2
9	KP 330 0246	PERNO TAPASI / PIN CAP	45x28	2
10	KP 330 0250	PERNO YÜZÜĞÜ / PIN RING	42x37x14	1

KP 330 0174 >> TOZ LASTİK VE PERNO TAKIMI
CALIPER DUST RUBBER AND PIN SET



RADIAL

KP 330 0269 >> TOZ LASTİK TAKIMI
CALIPER DUST RUBBER



68324854PK10

KP 330 0175 >> TOZ LASTİK VE PERNO TAKIMI
CALIPER DUST RUBBER AND PIN SET



RADIAL - MCK1289

KP 330 0270 >> KAÜÇUK TAPA TAKIMI
RUBBER CAP SET



68322655PK10

KP 330 0028 >> TOZ LASTİK VE PERNO TAKIMI
CALIPER DUST RUBBER AND PIN SET

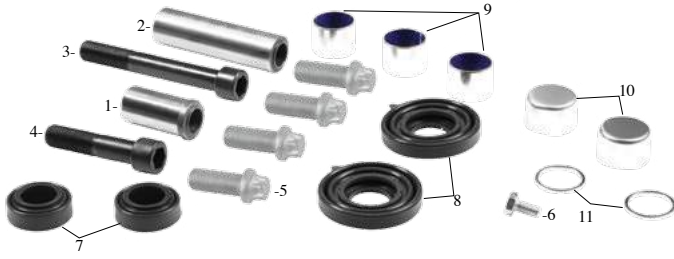


MCK1243 - MCK1140

KP 330 0271 >> KEÇE TAKIMI
SEAL SET



68323746PK10

KP 330 0176 ➤ TOZ LASTİK VE PERNO TAKIMI
CALIPER DUST RUBBER AND PIN SET


PARÇA NO PART NUMBER	STOK KODU STOCK CODE	PARÇA ADI PART NAME	ÖLÇÜ DIMENSION	ADET PIECE
1	KP 330 0272	PERNO / PIN	33/35x66 MM.	1
2	KP 330 0273	PERNO / PIN	35x128 MM.	1
3	KP 330 0274	PERNO CİVATASI / PIN BOLT	150 MM./20x1,5	1
4	KP 330 0275	PERNO CİVATASI / PIN BOLT	88 MM./20x1,5	1
5	KP 330 0276	CİVATA / BOLT	40MM./16x1,5	4
6	KP 330 0277	CİVATA / BOLT	20MM./M10x1,25	1
7	KP 330 0267	PERNO TOZ LASTİĞİ CALIPER PIN DUST RUBBER		2
8	KP 330 0268	PİSTON TOZ LASTİĞİ CALIPER TAPPET DUST RUBBER		2
9	KP 330 0243	PERNO BURCU / PIN BUSH	39x35x30	3
10	KP 330 0246	PERNO TAPASI / PIN CAP	45x28	2
11	KP 330 0253	PERNO YÜZÜĞÜ / PIN RING	42x35x3	2

KP 330 0177 ➤ TOZ LASTİK VE PERNO TAKIMI
CALIPER DUST RUBBER AND PIN SET


MCK1086

KP 330 0107 ➤ BURÇ TAKIMI / BUSH SET

KP 330 0036 ➤ TOZ LASTİK CİVATA VE TAPA TAKIMI
CALIPER DUST RUBBER BOLT AND CAP SET


MCK1244

KP 330 0179 ➤ TOZ LASTİK TAKIMI
CALIPER DUST RUBBER


MCK1088

KP 330 0029 ➤ TOZ LASTİK VE PİSTON TAKIMI
CALIPER DUST RUBBER AND TAPPET SET


MCK1309

KP 330 0180 ➤ PİSTON TAKIMI
CALIPER TAPPET SET

KP 330 0278 ➤ TOZ LASTİK CİVATA VE TAPA TAKIMI / CALIPER DUST RUBBER BOLT AND CAP SET


MCK1087



KP 330 0136 ➤ TOZ LASTİK TAKIMI
CALIPER DUST RUBBER



KP 330 0137 ➤ TOZ LASTİK TAKIMI
CALIPER DUST RUBBER



MCK1139

KP 330 0138 ➤ TOZ LASTİK TAKIMI
CALIPER DUST RUBBER



KP 330 0279 ➤ İPAT TUTUCU TAMİR TAKIMI
BRAKE PAD RETAINER KIT



MCK1174

KP 330 0280 ➤ BALATA SEVİYE GÖSTERGESİ
INDICATOR



MCK1240

KP 330 0281 ➤ BALATA SEVİYE GÖSTERGESİ
INDICATOR

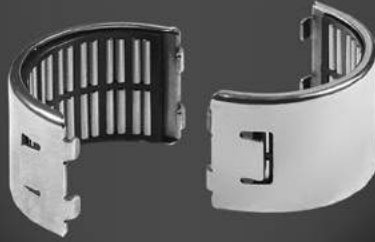
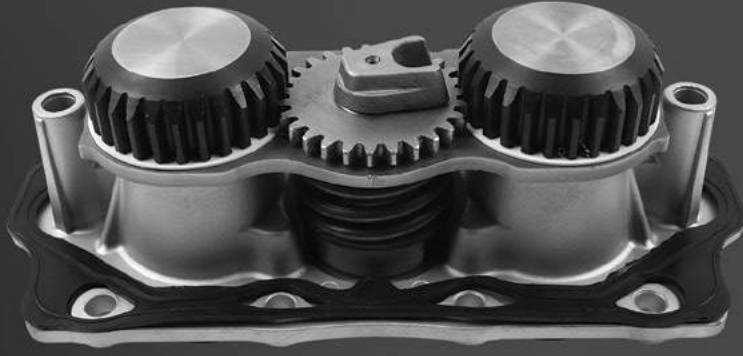


KP 330 0242 ➤ PERNO BURCU KAÜÇUKLU
PIN BUSH



KP 010 0001 ➤ GRES YAĞI / GREASE



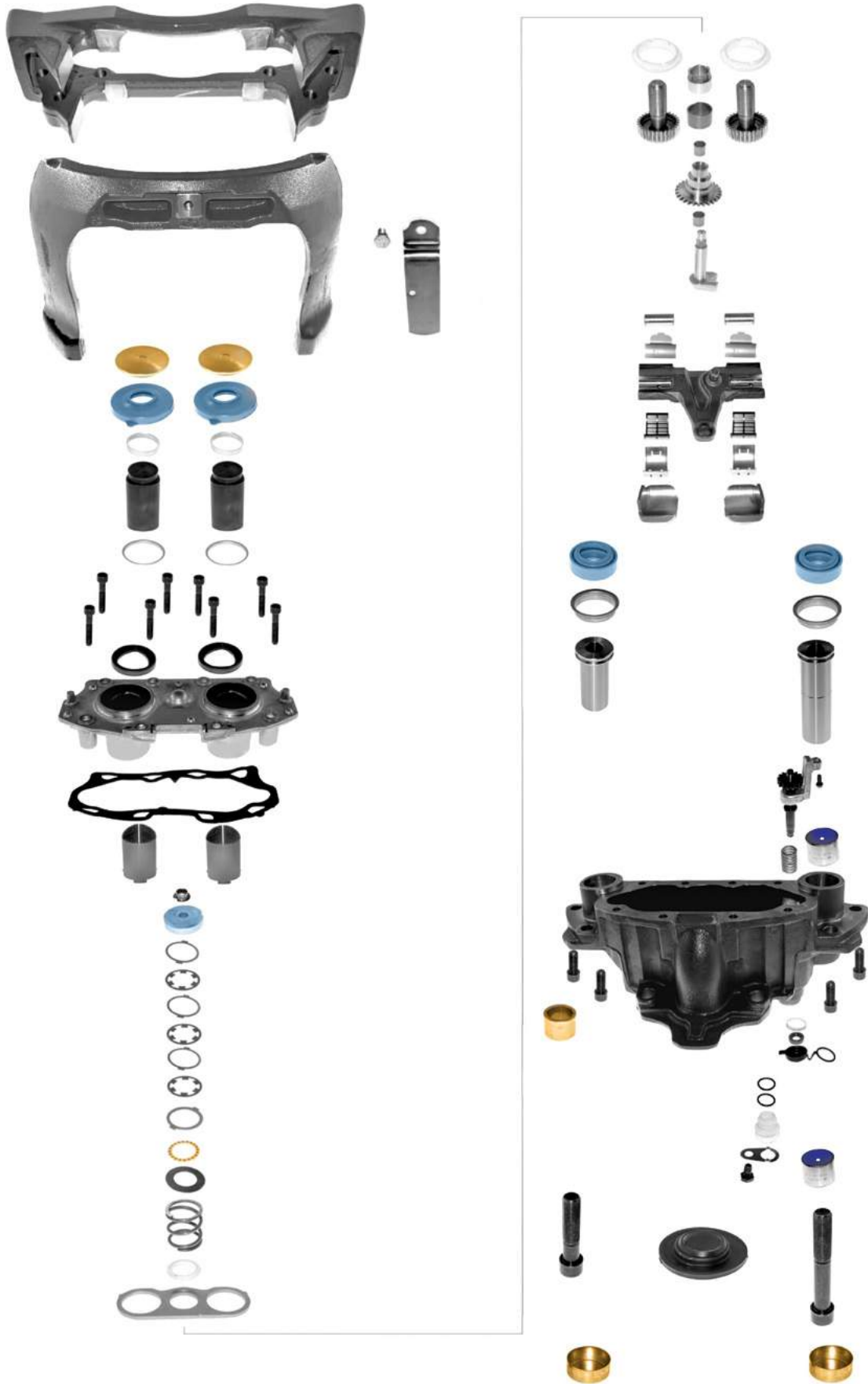


ELSA 195 - 225

www.hd.com.tr



ELSA 195 - 225





KP 330 0181 >> MEKANİZMA SETİ / MECHANISM SET



KP 330 0182 >> AYAR MEKANİZMA KAPAK / ADJUSTING MECHANISM CAP



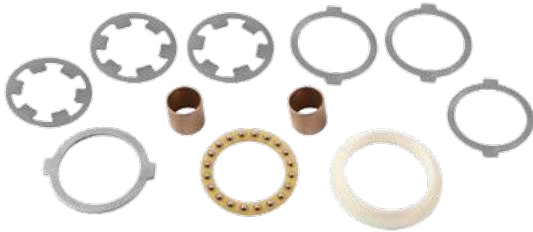
KP 330 0161 >> AYAR MEKANİZMASI
CALIPER ADJUSTING MECHANISM



KP 330 0183 >> KAPAK CONTASI / COVER GASKET



KP 330 0184 >> KALİPER MEKANİZMASI TAMİR TAKIMI
MECHANISM REPAIR KIT



KP 330 0185 >> KALİPER MEKANİZMASI TAMİR TAKIMI
MECHANISM REPAIR KIT



KP 330 0162 >> AYAR DİŞLİ TAKIMI / ADJUSTING GEAR SET

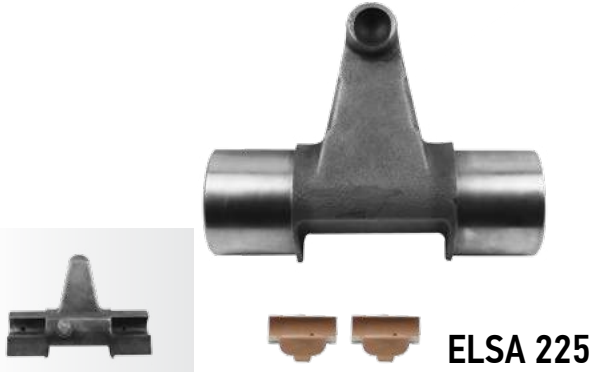


KP 330 0164 >> AYAR DİŞLİSİ / CALIPER ADJUSTING MECHANISM GEAR



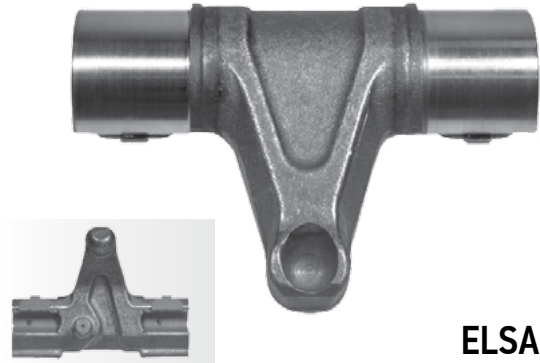


KP 330 0186 >> MASURA BİLYA YATAK TAKIMI / LEVER



ELSA 225

KP 330 0187 >> MASURA BİLYA YATAK TAKIMI / LEVER



ELSA 195

KP 330 0188 >> MASURA BİLYA YATAK TAKIMI / LEVER



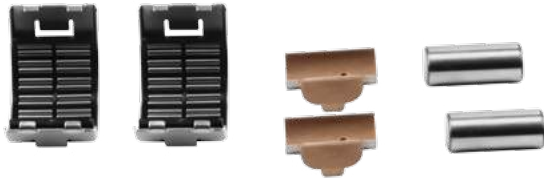
ELSA 225

RADIAL

KP 330 0033 >> KALİPER BİLYA YATAK TAKIMI
CALIPER BEARING LEVER SET



KP 330 0005 >> MASURA BİLYA TAKIMI / ROLLER BEARING SET



SJ4112

KP 330 0282 >> MASURA BİLYA TAKIMI / ROLLER BEARING SET



ELSA 225

RADIAL

KP 330 0119 >> MASURA BİLYA /
ROLLER BEARING



KP 330 0190 >> KEÇE / SEAL



KP 330 0034 >> KEÇE / SEAL





KP 330 0189 >> MANUEL AYAR DİŞLİSİ Y.M.-R - L -
MANUEL ADJUSTING GEAR - R - L - NEW MODEL



195-225

KP 330 0283 >> MANUEL AYAR DİŞLİSİ E.M.-R - L -
MANUEL ADJUSTING GEAR - R - L - OLD MODEL



195

KP 330 0171 >> KAPAK BURÇ VE KEÇE TAKIMI ÜÇGEN
BUSH & SEAL SET



KP 330 0270 >> KAUKUK TAPA TAKIMI
RUBBER CAP SET



68322655PK10

KP 330 0271 >> KEÇE TAKIMI
SEAL SET



68323746PK10

KP 330 0269 >> TOZ LASTİK TAKIMI
CALIPER DUST RUBBER



68324854PK10

KP 330 0279 >> İPAT TUTUCU TAMİR TAKIMI
BRAKE PAD RETAINER KIT



MCK1174

KP 330 0281 >> BALATA SEVİYE GÖSTERGESİ
INDICATOR



KP 330 0027 >> KAUKUK TAPA
RUBBER CAP



KP 330 0191 ➤ TOZ LASTİK VE PERNO TAKIMI
CALIPER DUST RUBBER AND PIN SET


MCK1254

PARÇA NO PART NUMBER	STOK KODU STOCK CODE	PARÇA ADI PART NAME	ÖLÇÜ DIMENSION	ADET PIECE
1	KP 330 0284	PERNO TEK KANALLI PIN SINGLE GROOVE	31x78 MM.	1
2	KP 330 0285	PERNO TEK KANALLI PIN SINGLE GROOVE	35x117 MM.	1
3	KP 330 0286	CİVATA / BOLT	120 MM./18x1,5	1
4	KP 330 0287	CİVATA / BOLT	80 MM./18x1,5	1
5	KP 330 0288	CİVATA / BOLT	40 MM./14x1,5	4
6	KP 330 0267	PERNO TOZ LASTİĞİ CALIPER DUST RUBBER		2
7	KP 330 0243	PERNO BURCU / PIN BUSH	39x35x30	2
8	KP 330 0289	PERNO BURCU / PIN BUSH	42x31	1
9	KP 330 0245	PERNO TAPASI / PIN CAP	45x15	2
10	KP 330 0252	PERNO YÜZÜĞÜ / PIN RING	40x37x11	2

KP 330 0038 ➤ TOZ LASTİK VE PERNO TAKIMI
CALIPER DUST RUBBER AND PIN SET


MCK1298

PARÇA NO PART NUMBER	STOK KODU STOCK CODE	PARÇA ADI PART NAME	ÖLÇÜ DIMENSION	ADET PIECE
1	KP 330 0290	PERNO İKİ KANALLI PIN DOUBLE GROOVE	31x78 MM.	1
2	KP 330 0291	PERNO İKİ KANALLI PIN DOUBLE GROOVE	35x117 MM.	1
3	KP 330 0276	CİVATA / BOLT	40MM./16x1,5	4
4	KP 330 0286	CİVATA / BOLT	120 MM./18x1,5	1
5	KP 330 0287	CİVATA / BOLT	80 MM./18x1,5	1
6	KP 330 0288	CİVATA / BOLT	40 MM./14x1,5	4
7	KP 330 0267	PERNO TOZ LASTİĞİ CALIPER DUST RUBBER		2
8	KP 330 0243	PERNO BURCU / PIN BUSH	39x35x30	2
9	KP 330 0244	PERNO BURCU / PIN BUSH	42x31	1
10	KP 330 0245	PERNO TAPASI / PIN CAP	45x15	2
11	KP 330 0252	PERNO YÜZÜĞÜ / PIN RING	40x37x11	2

KP 330 0192 ➤ TOZ LASTİK VE PERNO TAKIMI
CALIPER DUST RUBBER AND PIN SET


MCK1317

PARÇA NO PART NUMBER	STOK KODU STOCK CODE	PARÇA ADI PART NAME	ÖLÇÜ DIMENSION	ADET PIECE
1	KP 330 0292	PERNO İKİ KANALLI PIN DOUBLE GROOVE	31x117 MM.	1
2	KP 330 0291	PERNO İKİ KANALLI PIN DOUBLE GROOVE	35x117 MM.	1
3	KP 330 0276	CİVATA / BOLT	40MM./16x1,5	4
4	KP 330 0286	CİVATA / BOLT	120 MM./18x1,5	2
5	KP 330 0267	PERNO TOZ LASTİĞİ CALIPER PIN DUST RUBBER		2
6	KP 330 0243	PERNO BURCU / PIN BUSH	39x35x30	2
7	KP 330 0289	PERNO BURCU / PIN BUSH	42x31	2
8	KP 330 0245	PERNO TAPASI / PIN CAP	45x15	2
9	KP 330 0252	PERNO YÜZÜĞÜ / PIN RING	40x37x11	2

KP 330 0195 ➤ TOZ LASTİK VE PERNO TAKIMI
CALIPER DUST RUBBER AND PIN SET


225200

PARÇA NO PART NUMBER	STOK KODU STOCK CODE	PARÇA ADI PART NAME	ÖLÇÜ DIMENSION	ADET PIECE
1	KP 330 0290	PERNO İKİ KANALLI PIN DOUBLE GROOVE	31x78 MM.	1
2	KP 330 0291	PERNO İKİ KANALLI PIN DOUBLE GROOVE	35x117 MM.	1
3	KP 330 0276	CİVATA / BOLT	40MM./16x1,5	4
4	KP 330 0286	CİVATA / BOLT	120 MM./18x1,5	1
5	KP 330 0287	CİVATA / BOLT	80 MM./18x1,5	1
6	KP 330 0267	PERNO TOZ LASTİĞİ CALIPER PIN DUST RUBBER		2
7	KP 330 0268	PERNO TOZ LASTİĞİ CALIPER PIN DUST RUBBER		2



KP 330 0194 >> TOZ LASTİK VE CİVATA TAKIMI
DUST RUBBER AND BOLT SET



M14x1.5/40 MM

MCK1253

KP 330 0196 >> TOZ LASTİK TAKIMI
CALIPER DUST RUBBER



225201

KP 330 0193 >> TOZ LASTİK VE CİVATA TAKIMI
DUST RUBBER AND BOLT SET



85109890 - MCK1310

KP 330 0107 >> BURÇ TAKIMI / BUSH SET



KP 330 0029 >> TOZ LASTİK VE PİSTON TAKIMI
CALIPER DUST RUBBER AND TAPPET SET



MCK1309

KP 330 0180 >> PİSTON TAKIMI / CALIPER TAPPET SET



KP 330 0136 >> TOZ LASTİK TAKIMI
CALIPER DUST RUBBER



KP 330 0137 >> TOZ LASTİK TAKIMI
CALIPER DUST RUBBER



MCK1139

KP 330 0138 >> TOZ LASTİK TAKIMI
CALIPER DUST RUBBER

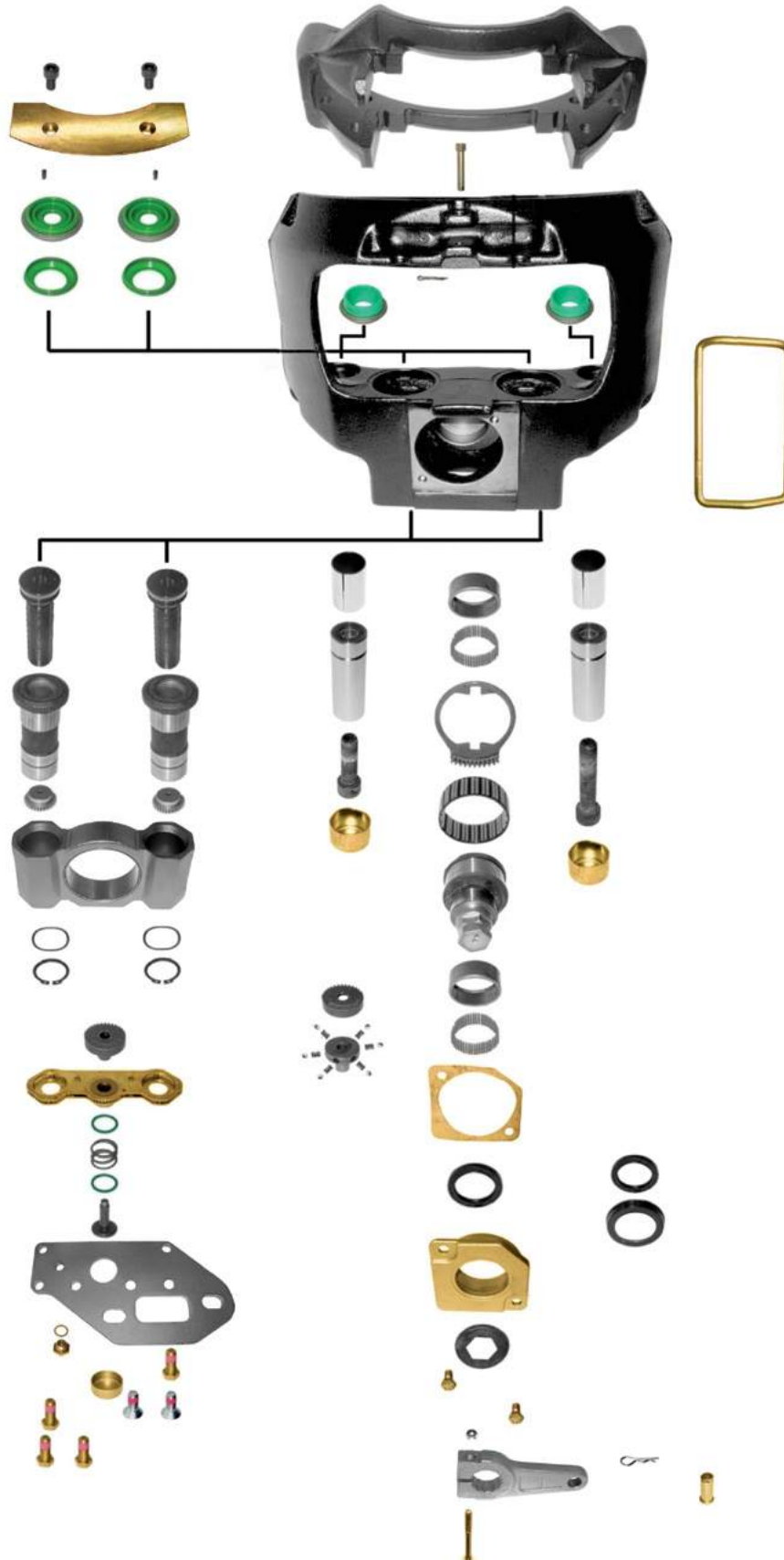




DX 195

www.hd.com.tr

DX 195





KP 330 0197 >> KALİPER DÜRBÜN SETİ -R-
CALIPER SHAFT HOUSING SET -R -



MCK1293

KP 330 0198 >> KALİPER DÜRBÜN SETİ -L-
CALIPER SHAFT HOUSING SET -L -



MCK1292

KP 330 0199 >> KALİPER DÜRBÜN SETİ -R-
CALIPER SHAFT HOUSING SET -R -



DSL6R

KP 330 0200 >> KALİPER DÜRBÜN SETİ -L-
CALIPER SHAFT HOUSING SET -L -



DSL6L

KP 330 0201 >> KALİPER PİSTON TAMİR TAKIMI -R-
CALIPER TAPPET SET -R-



KP 330 0202 >> KALİPER PİSTON TAMİR TAKIMI -L-
CALIPER TAPPET SET -L-



KP 330 0203 >> KALİPER PİSTON TAMİR TAKIMI -R-
CALIPER TAPPET SET -R-



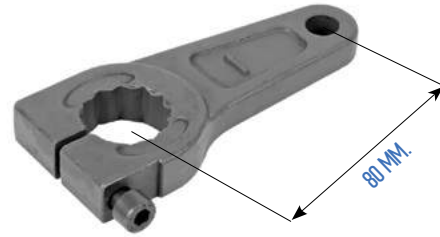
KP 330 0204 >> KALİPER PİSTON TAMİR TAKIMI -L-
CALIPER TAPPET SET -L-



KP 330 0207 > PLEYT TAKIMI -R-
PLATE SET -R-

KP 330 0208 > PLEYT TAKIMI -L-
PLATE SET -L-

KP 330 0214 > KALİPER DÜRBÜNÜ
SHAFT HOUSING

KP 330 0225 > KALİPER ŞAFT LEVYESİ
CALIPER SHAFT LEVER

DX195 - MCK1160
KP 330 0205 > KALİPER AYAR CİVATASI -R-
CALIBRATION BOLT -R-

KP 330 0206 > KALİPER AYAR CİVATASI -L-
CALIBRATION BOLT -L-

KP 330 0213 > KALİPER MERKEZ DİŞLİ TAKIMI
GEAR SET

KP 330 0209 > AYAR MEKANİZMASI TAKIMI -R-
ADJUSTING MECHANISM SET -R-

017 222 947
KP 330 0210 > AYAR MEKANİZMASI TAKIMI -L-
ADJUSTING MECHANISM SET -L-

MCK1290
KP 330 0211 > AYAR MEKANİZMASI TAKIMI -R-
ADJUSTING MECHANISM SET -R-

DSL5R
KP 330 0212 > AYAR MEKANİZMASI TAKIMI -L-
ADJUSTING MECHANISM SET -L-

DSL5L



KP 330 0217 >> KALİPER ŞAFT TAMİR TAKIMI
CALIPER SHAFT REPAIR SET



KP 330 0218 >> KALİPER ŞAFT TAMİR TAKIMI
CALIPER SHAFT REPAIR SET



MCK1294

KP 330 0219 >> KALİPER ŞAFT TAMİR TAKIMI
CALIPER SHAFT REPAIR SET



KP 330 0220 >> KALİPER ŞAFT BİLYASI
CALIPER SHAFT BALL BEARING



KP 330 0221 >> KALİPER ŞAFT TAKIMI
CALIPER SHAFT SET



KP 330 0222 >> KALİPER ŞAFT TAKIMI
CALIPER SHAFT SET



KP 330 0223 >> KALİPER ŞAFTI
CALIPER SHAFT



KP 330 0227 >> MASURA BİLYA TAKIMI
ROLLER BEARING SET



MCK1344



KP 330 0228 >> MASURA BİLYA
ROLLER BEARING



KP 330 0230 >> MASURA BİLYA
ROLLER BEARING



KP 330 0232 >> KALİPER TAMİR TAKIMI
CALIPER REPAIR SET



MCK1154

KP 330 0234 >> BALATA SABİTLEME ÇUBUĞU
CALIPER STABILIZER BAR



DX195

KP 330 0293 >> BALATA YAY TAKIMI
CALIPER PAD SPRING SET



MBA100

KP 330 0224 >> KALİPER ŞAFT TAMİR TAKIMI
CALIPER SHAFT REPAIR SET



KP 330 0294 >> KEÇE TAKIMI / SEAL SET



KP 330 0216 >> KALİPER ŞAFT LASTİK TAKIMI
SHAFT RUBBER SET



KP 330 0235 >> PLEYT -R-
PLATE -R-

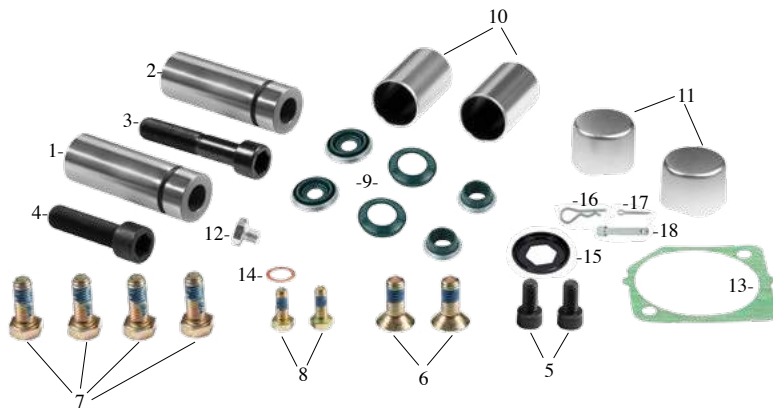


DX195

KP 330 0236 >> PLEYT -L-
PLATE -L-



DX195


KP 330 0295 ➤ TOZ LASTİK VE PERNO TAKIMI / CALIPER DUST RUBBER AND PIN SET


MCK1171

PARÇA NO PART NUMBER	STOK KODU STOCK CODE	PARÇA ADI PART NAME	ÖLÇÜ DIMENSION	ADET PIECE
1	KP 330 0296	PERNO / PIN	32x97-37 MM.	1
2	KP 330 0297	PERNO / PIN	32x97-62 MM.	1
3	KP 330 0298	PERNO CİVATASI / PIN BOLT	85MM./16x1,5	1
4	KP 330 0299	PERNO CİVATASI / PIN BOLT	60MM./16x1,5	1
5	KP 330 0277	CİVATA / BOLT	20MM./M10x1,5	2
6	KP 330 0300	CİVATA / BOLT	20MM./M12x1,75	2
7	KP 330 0301	CİVATA / BOLT	30MM./M12x1,75	4
8	KP 330 0302	CİVATA / BOLT	20MM./M8x1,25	2
9	KP 330 0241	PERNO TOZ LASTİĞİ KÜÇÜK DUST RUBBER SMALL		1
10	KP 330 0303	PERNO BURCU / PIN BUSH	36x32x55	2
11	KP 330 0304	PERNO TAPASI / PIN CAP	42x28	2
12	KP 330 0305	TAPA CİVATA / CAP BOLT		1
13	KP 330 0257	CONTA / GASKET		1
14	KP 330 0306	TAPA PULU / CAP WASHER		1
15	KP 330 0307	ALTİGEN LASTİK / DUST COVER		1
16	KP 330 0308	KOPILYA / WASHER		1
17	KP 330 0309	KOPILYA / WASHER		1
18	KP 330 0310	PİM / PIN		1

KP 330 0238 ➤ PERNO TAKIMI
PIN SET

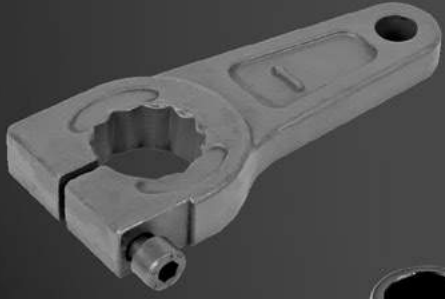
KP 330 0239 ➤ TOZ LASTİK VE CİVATA TAKIMI
CALIPER DUST RUBBER AND BOLT SET

KP 330 0240 ➤ TOZ LASTİK VE CİVATA TAKIMI
CALIPER DUST RUBBER AND BOLT SET


017 202 413

KP 330 0241 ➤ TOZ LASTİK TAKIMI
CALIPER DUST RUBBER SET

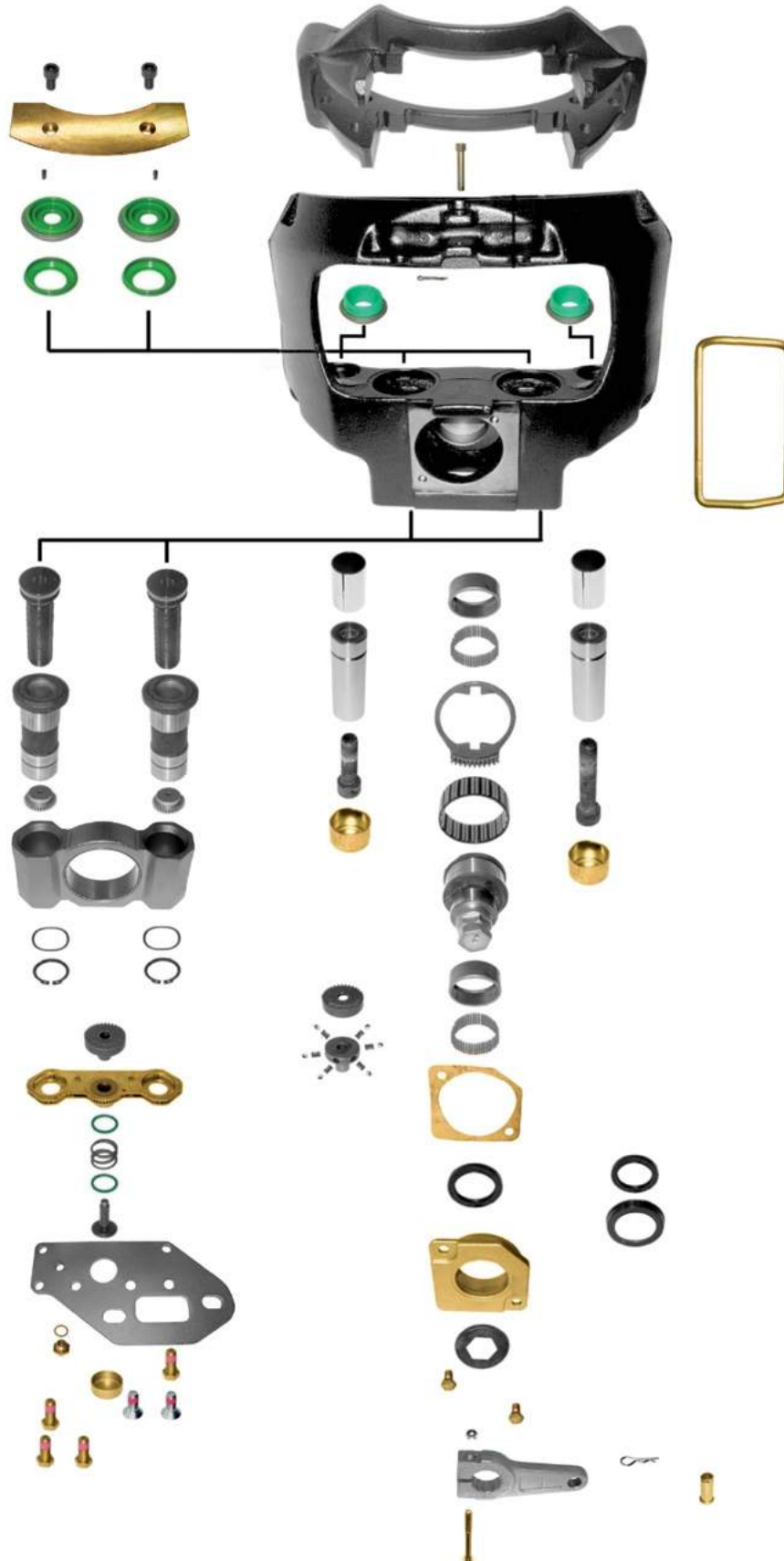
KP 330 0311 ➤ TAPA TAKIMI / CAP SET

DX 225

www.hd.com.tr

DX 225





KP 330 0312 >> KALİPER DÜRBÜN SETİ -R-
CALIPER SHAFT HOUSING SET -R -



KP 330 0313 >> KALİPER DÜRBÜN SETİ -L-
CALIPER SHAFT HOUSING SET -L -



KP 330 0314 >> KALİPER DÜRBÜN SETİ -R-
CALIPER SHAFT HOUSING SET -R -



KP 330 0315 >> KALİPER DÜRBÜN SETİ -L-
CALIPER SHAFT HOUSING SET -L -



KP 330 0316 >> KALİPER PİSTON TAMİR TAKIMI -R-
CALIPER TAPPET SET -R-



KP 330 0317 >> KALİPER PİSTON TAMİR TAKIMI -L-
CALIPER TAPPET SET -L-



KP 330 0318 >> KALİPER PİSTON TAMİR TAKIMI -R-
CALIPER TAPPET SET -R-



KP 330 0319 >> KALİPER PİSTON TAMİR TAKIMI -L-
CALIPER TAPPET SET -L-





KP 330 0320 >> PLEYT TAKIMI -R-
PLATE SET -R-



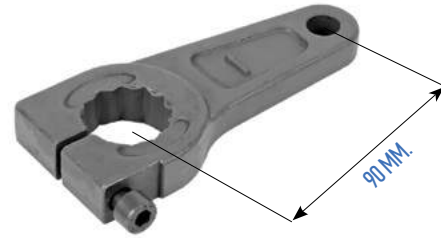
KP 330 0321 >> PLEYT TAKIMI -L-
PLATE SET -L-



KP 330 0322 >> KALİPER DÜRBÜNÜ
SHAFT HOUSING



KP 330 0226 >> KALİPER ŞAFT LEVYESİ
CALIPER SHAFT LEVER



DX225

KP 330 0205 >> KALİPER AYAR CİVATASI -R-
CALIBRATION BOLT -R-



KP 330 0206 >> KALİPER AYAR CİVATASI -L-
CALIBRATION BOLT -L-



KP 330 0213 >> KALİPER MERKEZ DİŞLİ TAKIMI
GEAR SET



KP 330 0323 >> AYAR MEKANİZMASI TAKIMI -R-
ADJUSTING MECHANISM SET -R-



KP 330 0325 >> AYAR MEKANİZMASI TAKIMI -L-
ADJUSTING MECHANISM SET -L-



KP 330 0324 >> AYAR MEKANİZMASI TAKIMI -R-
ADJUSTING MECHANISM SET -R-



KP 330 0326 >> AYAR MEKANİZMASI TAKIMI -L-
ADJUSTING MECHANISM SET -L-





KP 330 0217 >> KALİPER ŞAFT TAMİR TAKIMI
CALIPER SHAFT REPAIR SET



KP 330 0218 >> KALİPER ŞAFT TAMİR TAKIMI
CALIPER SHAFT REPAIR SET



MCK1294

KP 330 0219 >> KALİPER ŞAFT TAMİR TAKIMI
CALIPER SHAFT REPAIR SET



KP 330 0220 >> KALİPER ŞAFT BİLYASI
CALIPER SHAFT BALL BEARING



KP 330 0221 >> KALİPER ŞAFT TAKIMI
CALIPER SHAFT SET



KP 330 0222 >> KALİPER ŞAFT TAKIMI
CALIPER SHAFT SET



KP 330 0223 >> KALİPER ŞAFTI
CALIPER SHAFT



KP 330 0227 >> MASURA BİLYA TAKIMI
ROLLER BEARING SET



MCK1344



KP 330 0228 ➤ MASURA BİLYA
ROLLER BEARING



KP 330 0230 ➤ MASURA BİLYA
ROLLER BEARING



KP 330 0231 ➤ KALİPER TAMİR TAKIMI
CALIPER REPAIR SET



MCK1155

KP 330 0233 ➤ BALATA SABİTLEME ÇUBUĞI
CALIPER STABILIZER BAR



KP 330 0294 ➤ KEÇE TAKIMI / SEAL SET



KP 330 0216 ➤ KALİPER ŞAFT LASTİK TAKIMI
SHAFT RUBBER SET



KP 330 0224 ➤ KALİPER ŞAFT TAMİR TAKIMI
CALIPER SHAFT REPAIR SET

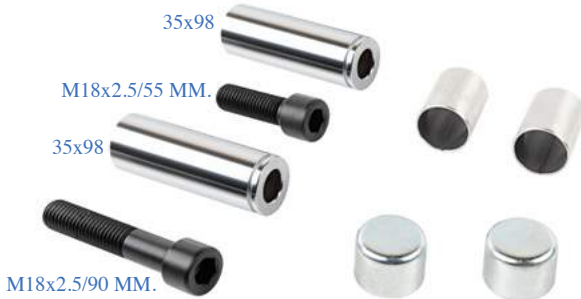


KP 010 0001 ➤ GRES YAĞI / GREASE




KP 330 0327 >> TOZ LASTİK VE PERNO TAKIMI / CALIPER DUST RUBBER AND PIN SET


MCK1172

KP 330 0328 >> PERNO VE TAPA TAKIMI
PIN AND CAP SET

KP 330 0329 >> TOZ LASTİK VE CİVATA TAKIMI
CALIPER DUST RUBBER AND BOLT SET

KP 330 0330 >> TOZ LASTİK VE CİVATA TAKIMI
CALIPER DUST RUBBER AND BOLT SET


MCK1193

KP 330 0331 >> TOZ LASTİK TAKIMI
CALIPER DUST RUBBER SET

KP 330 0293 >> BALATA YAY TAKIMI
CALIPER PAD SPRING SET


MBA100

KP 010 0001 >> GRES YAĞI / GREASE



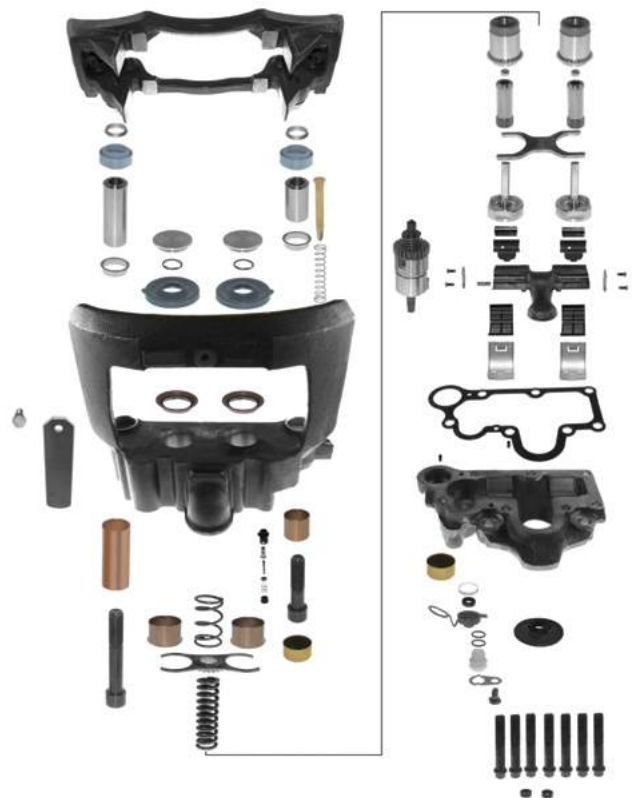

DUCO - D DUCO

www.hd.com.tr

B DUCO



C DUCO



LE DUCO



D DUCO AXIAL



D DUCO RADIAL



KP 330 0108 >> AYAR MEKANİZMA TAKIMI -R- / MECHANISM SET -R-



017 253 - 748

KP 330 0109 >> AYAR MEKANİZMA TAKIMI -L- / MECHANISM SET -L-



42 1236 001

KP 330 0110 >> AYAR MEKANİZMA TAKIMI -R- / MECHANISM SET -R-



KP 330 0111 >> AYAR MEKANİZMA TAKIMI -L- / MECHANISM SET -L-



KP 330 0117 >> AYAR DIŞLI YATAĞI VE YAY TAKIMI
INTERMEDIATE GEAR-SPRING SET



D DUCO AXIAL - RADIAL

017 448 600

KP 330 0118 >> AYAR DIŞLI SABİTLEME SACI / LOCKING SHIM



D DUCO AXIAL - RADIAL

68322900PK10

KP 330 0332 >> AYAR DIŞLI YATAĞI VE YAY TAKIMI
INTERMEDIATE GEAR-SPRING SET



C DUCO - LE DUCO

MCK1129

KP 330 0333 >> AYAR DIŞLI SABİTLEME SACI / LOCKING SHIM



C DUCO - LE DUCO

68322485PK10

KP 330 0112 >> AYAR MEKANİZMA TAKIMI ARKA -R-
MECHANISM -R- (REAR)



017 474 333 - 85102096

KP 330 0113 >> AYAR MEKANİZMA TAKIMI ARKA -L-
MECHANISM -L- (REAR)



017 469 199 - 85102095

KP 330 0037 >> AYAR MEKANİZMA TAKIMI ÖN -R-L-
MECHANISM -R-L- (FRONT)



MCK1113 - 85102093

KP 330 0334 >> AYAR MEKANİZMA
ADJUSTING MECHANISM



B DUCO

MCK1050

KP 330 0335 >> AYAR MEKANİZMA TAKIMI ARKA -R-
MECHANISM -R- (REAR)



ROR

SJ4103 - 3092266

KP 330 0336 >> AYAR MEKANİZMA TAKIMI ARKA -L-
MECHANISM -L- (REAR)



ROR

SJ4102

KP 330 0337 >> AYAR MEKANİZMA TAKIMI ÖN -R-L-
MECHANISM -R-L- (FRONT)



ROR

SJ4110

KP 330 0120 >> MANUEL AYAR
DİŞLİSİ- R
MANUAL
ADJUSTING
GEAR- R



3092281 - 68322563PK4

KP 330 0121 >> MANUEL AYAR
DİŞLİSİ- L
MANUAL
ADJUSTING
GEAR- L



68322562PK4

KP 330 0373 >> MASURA BİLYA YATAK TAKIMI / LEVER & BEARING SET



B DUCO

MCK1048

KP 330 0114 >> MASURA BİLYA YATAK TAKIMI / LEVER & BEARING SET



D DUCO - RADIAL

SJ4108

KP 330 0374 >> MASURA BİLYA YATAK TAKIMI -R-
LEVER & BEARING SET -R-



C DUCO - LE DUCO

MCK1128

KP 330 0338 >> MASURA BİLYA YATAK TAKIMI -L-
LEVER & BEARING SET -L-



C DUCO - LE DUCO

MCK1127

KP 330 0115 >> MASURA BİLYA YATAK TAKIMI -R-
LEVER & BEARING SET -R-



D DUCO - AXIAL

SJ4097 - MCK1399

KP 330 0116 >> MASURA BİLYA YATAK TAKIMI -L-
LEVER & BEARING SET -L-



D DUCO - AXIAL

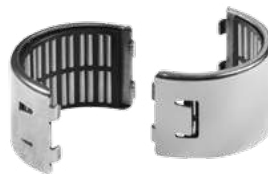
SJ4096 - MCK1398

KP 330 0005 >> MASURA BİLYA TAKIMI
ROLLER BEARING SET



B/C/LE/D DUCO - AXIAL SJ4112

KP 330 0119 >> MASURA BİLYA
ROLLER BEARING



KP 330 0262 >> MASURA BİLYA TAKIMI
ROLLER BEARING SET



D DUCO - RADIAL

SJ4098


KP 330 0125 >> TOZ LASTİK VE PERNO TAKIMI / CALIPER DUST RUBBER AND PIN SET


PARÇA NO PART NUMBER	STOK KODU STOCK CODE	PARÇA ADI PART NAME	ÖLÇÜ DIMENSION	ADET PIECE
1	KP 330 0339	PERNO / PIN	35x102 MM.	2
2	KP 330 0340	PERNO CİVATASI / PIN BOLT	125 MM./20x2	2
3	KP 330 0267	PERNO TOZ LASTİĞİ CALIPER PIN DUST RUBBER		2
4	KP 330 0268	PİSTON TOZ LASTİĞİ CALIPER TAPPET DUST RUBBER		2
5	KP 330 0341	PERNO BURCU / PIN BUSH	40x35x77	1
6	KP 330 0342	PERNO BURCU / PIN BUSH	39x35x30	2
7	KP 330 0343	PERNO TAPASI / PIN CAP	40x18,5	2
8	KP 330 0252	PERNO YÜZÜĞÜ / PIN RING	40x37x11	2

KP 330 0126 >> TOZ LASTİK VE PERNO TAKIMI
CALIPER DUST RUBBER AND PIN SET


MCK1118

KP 330 0127 >> TOZ LASTİK VE PERNO TAKIMI
CALIPER DUST RUBBER AND PIN SET


MCK1135 - SJ4107

KP 330 0035 >> TOZ LASTİK VE PERNO TAKIMI
CALIPER DUST RUBBER AND PIN SET


MCK1116

KP 330 0128 >> TOZ LASTİK VE PERNO TAKIMI
CALIPER DUST RUBBER AND PIN SET


MCK1134 - SJ4094

KP 330 0131 >> TOZ LASTİK VE PERNO TAKIMI
CALIPER DUST RUBBER AND PIN SET

KP 330 0129 >> TOZ LASTİK VE PERNO TAKIMI
CALIPER DUST RUBBER AND PIN SET


KP 330 0132 >> TOZ LASTİK VE PERNO TAKIMI
CALIPER DUST RUBBER AND PIN SET



KP 330 0130 >> TOZ LASTİK VE PERNO TAKIMI
CALIPER DUST RUBBER AND PIN SET



KP 330 0134 >> TOZ LASTİK VE BURÇ TAKIMI
CALIPER DUST RUBBER & BUSH SET



KP 330 0344 >> KEÇE TAKIMI
SEAL SET



KP 330 0270 >> KAÜÇÜK TAPA TAKIMI
RUBBER CAP SET



KP 330 0269 >> TOZ LASTİK TAKIMI
CALIPER DUST RUBBER



KP 330 0133 >> YÜZÜK TAKIMI / PIN RING SET



KP 330 0135 >> TOZ LASTİK VE PİSTON TAKIMI
CALIPER DUST RUBBER & TAPPET SET



KP 330 0136 >> TOZ LASTİK TAKIMI
CALIPER DUST RUBBER



KP 330 0137 >> TOZ LASTİK TAKIMI
CALIPER DUST RUBBER



KP 330 0138 >> TOZ LASTİK TAKIMI
CALIPER DUST RUBBER



MCK1139



KP 330 0012 >> KAPAK CONTA TAKIMI D DUCO RADIAL
GASKET COVER SET D DUCO RADIAL



SJ4109

KP 330 0015 >> KAPAK CONTASI / COVER GASKET



KP 330 0013 >> KAPAK CONTA TAKIMI C DUCO-LE DUCO
GASKET COVER SET D DUCO-LE DUCO



MCK1041

KP 330 0016 >> KAPAK CONTASI / COVER GASKET



KP 330 0014 >> KAPAK CONTA TAKIMI D DUCO AXIAL
GASKET COVER SET D DUCO AXIAL



SJ4105

KP 330 0017 >> KAPAK CONTASI / COVER GASKET



68322774PK4

KP 330 0027 >> KAÜÇUK TAPA
RUBBER CAP



KP 330 0122 >> KAÜÇUK TAPA
RUBBER CAP



D DUCO RADIAL

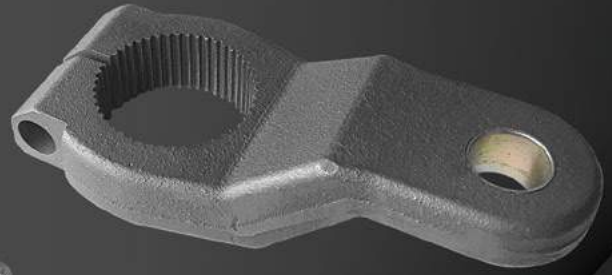
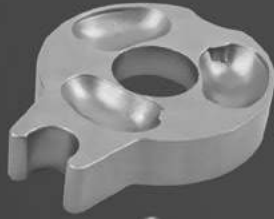
KP 330 0123 >> KEÇE MERKEZİ KAÇIK
SEAL



KP 330 0124 >> BALATA SEVIYE GÖSTERGESİ
INDICATOR

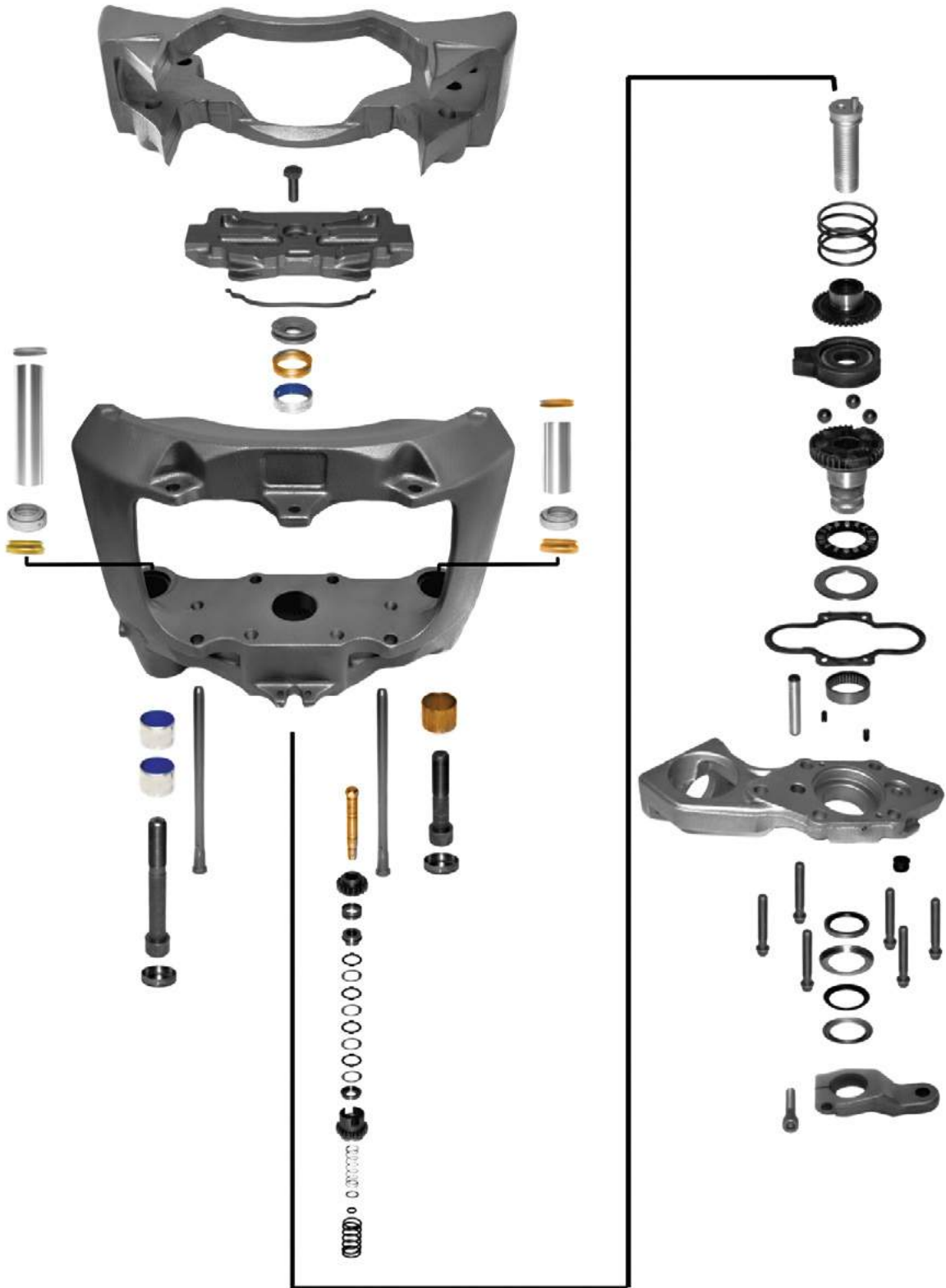


SJ4111



LISA

www.hd.com.tr



KP 330 0086 >> KİLİT MEKANİZMASI
OPERATING SHAFT - R -



C LİSA/D LİSA

MCK1022-MCK1152

KP 330 0087 >> KİLİT MEKANİZMASI
OPERATING SHAFT - L -



C LİSA/D LİSA

MCK1021-MCK1151

KP 330 0088 >> KALİPER ŞAFTI
CALIPER SHAFT - R -



KP 330 0089 >> KALİPER ŞAFTI
CALIPER SHAFT - L -



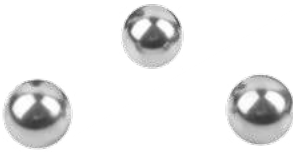
KP 330 0090 >> ŞAFT KARŞILIĞI
SHAFT BASE - R -



KP 330 0091 >> ŞAFT KARŞILIĞI
SHAFT BASE - L -



KP 330 0092 >> MİSKET BİLYA TAKIMI
BALL BEARING SET



KP 330 0093 >> DİŞLİ YAYI
GEAR SPRING



KP 330 0094 >> AYAR DİŞLİSİ
ADJUSTING GEAR - R -



SJ4074

KP 330 0095 >> AYAR DİŞLİSİ
ADJUSTING GEAR - L -



SJ4073



KP 330 0096 >> AYAR MEKANİZMASI - R -
CALIPER ADJUSTING MECHANISM -R-



C LİSA/D LİSA

SJ4114

KP 330 0097 >> AYAR MEKANİZMASI - L -
CALIPER ADJUSTING MECHANISM - L -



C LİSA/D LİSA

SJ4113

KP 330 0098 >> MASURA RULMAN TAKIMI / ROLLER BEARING SET



C LİSA/D LİSA

SJ4031

KP 330 0345 >> MASURA RULMAN TAKIMI / ROLLER BEARING SET



KP 330 0100 >> MASURA BİLYA / ROLLER BEARING



KP 330 0101 >> MASURA BİLYA / ROLLER BEARING



KP 330 0102 >> CONTA KEÇE VE PERNO LASTİK TAKIMI
GASKET SEAL & PIN RUBBER SET



C LİSA/D LİSA

SJ4078-SJ4032

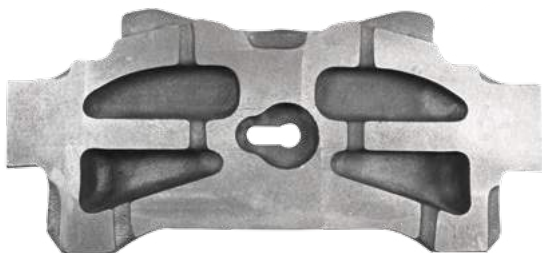
KP 330 0103 >> CONTA KEÇE VE PERNO LASTİK TAKIMI
GASKET SEAL & PIN RUBBER SET



C LİSA

SJ4061

KP 330 0104 >> BALATA PLEYTİ / CALIPER BRAKE LINING PLATE



D LİSA

SJ4117

KP 330 0346 >> ŞAFT AYAR KOLU / SHAFT ADJUSTING ROD



C LİSA/D LİSA

KP 330 0105 ➤ PERNO TOZ LASTİK TAKIMI
CALIPER PIN DUST RUBBER SET


D LİSA

SJ4076 MCK1104

PARÇA NO PART NUMBER	STOK KODU STOCK CODE	PARÇA ADI PART NAME	ÖLÇÜ DIMENSION	ADET PIECE
1	KP 330 0347	PERNO / PIN	35x79 MM.	1
2	KP 330 0348	PERNO / PIN	35x132 MM.	1
3	KP 330 0274	PERNO CİVATASI / PIN BOLT	150 MM./20x1,5	1
4	KP 330 0349	PERNO CİVATASI / PIN BOLT	99 MM./20x1,5	1
5	KP 330 0262	PERNO TOZ LASTİĞİ CALIPER PIN DUST RUBBER		2
6	KP 330 0243	PERNO BURCU / PIN BUSH	39x35x30	2
7	KP 330 0350	PERNO BURCU / PIN BUSH	39x35/36x47	1
8	KP 330 0351	PERNO BURCU / PIN BUSH	41x35x30	2
9	KP 330 0245	PERNO TAPASI / PIN CAP	45x15	2
10	KP 330 0249	PERNO YÜZÜĞÜ / PIN RING	47x37x12	2

KP 330 0106 ➤ CİVATA VE TAPA TAKIMI / BOLT & CAP SET


D LİSA

SJ4021

KP 330 0107 ➤ BURÇ TAKIMI / BUSH SET

KP 330 0352 ➤ PERNO TOZ LASTİK TAKIMI
CALIPER PIN DUST RUBBER SET


C LİSA

SJ4052

KP 330 0353 ➤ PERNO TOZ LASTİK TAKIMI
CALIPER PIN DUST RUBBER SET


C LİSA - D LİSA

SJ4077

KP 330 0354 ➤ PERNO TOZ LASTİK TAKIMI
CALIPER PIN DUST RUBBER SET


C LİSA

SJ4053

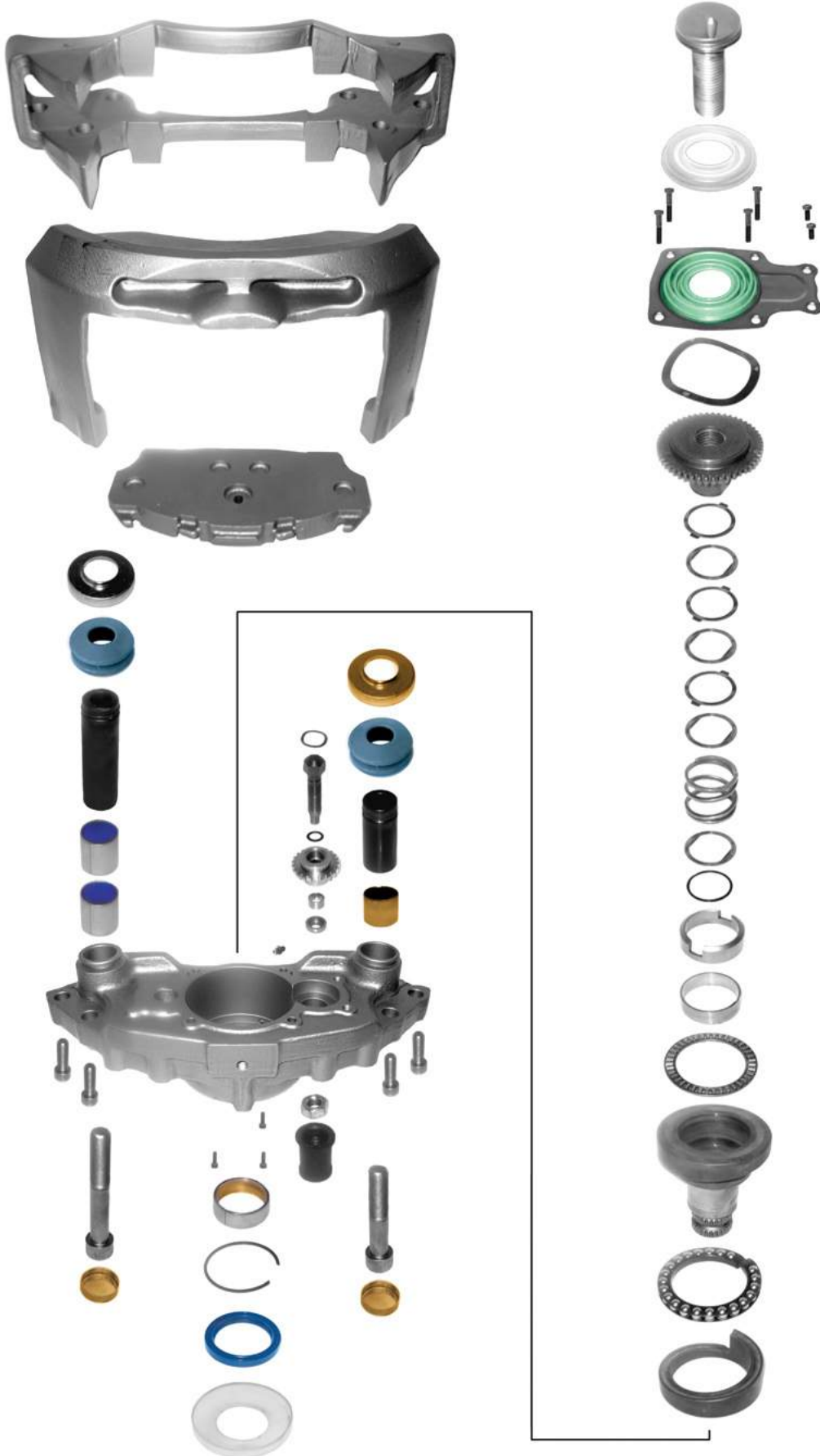
KP 010 0001 ➤ GRES YAĞI / GREASE

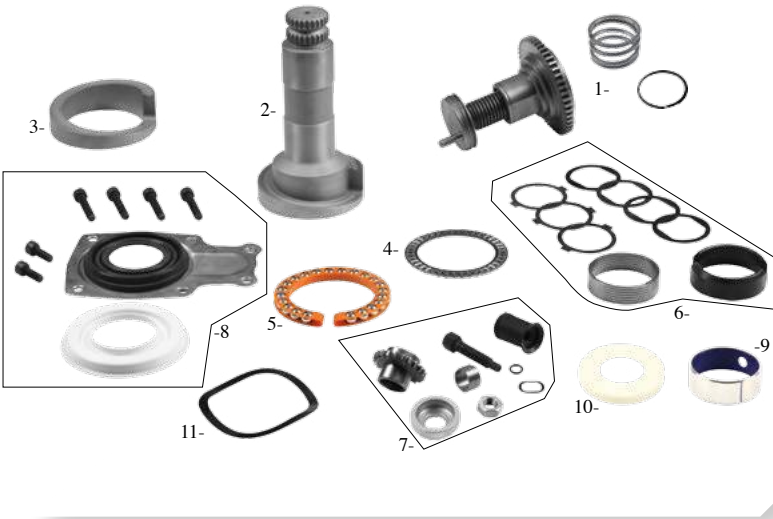



D3

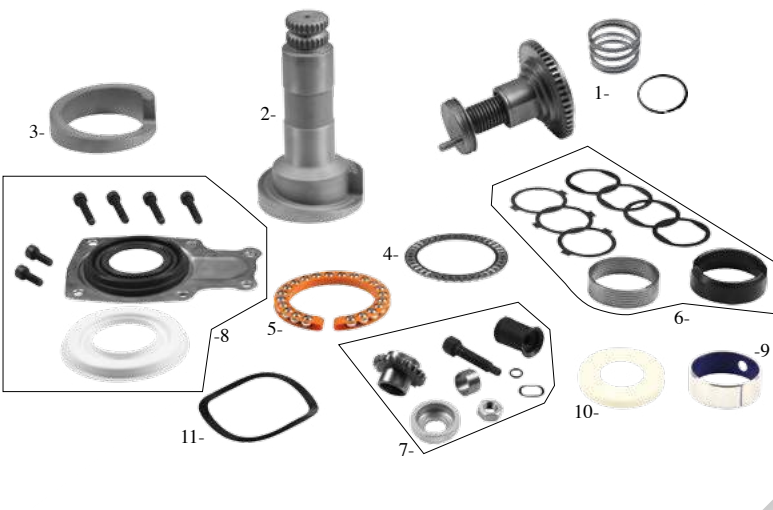
www.hd.com.tr

D3



KP 330 0060 ➤ TAMİR SETİ ARKA-R / CALIPER SET REAR - R -


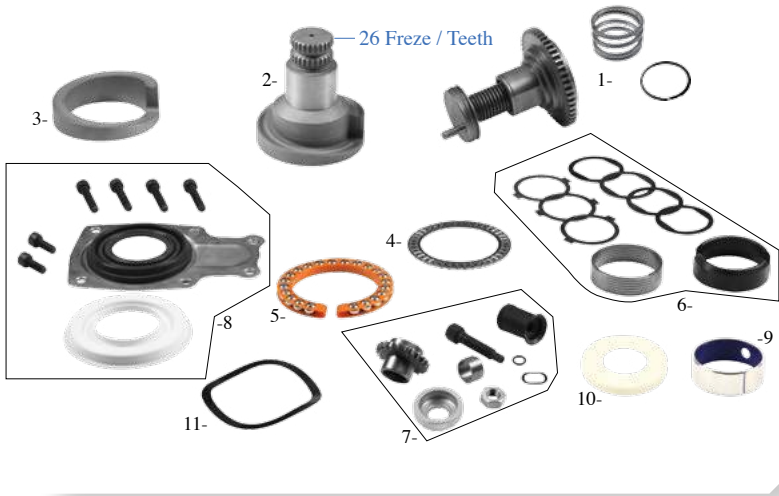
PARÇA NO PART NUMBER	STOK KODU STOCK CODE	PARÇA ADI PART NAME	ÖLÇÜ DIMENSION	ADET PIECE
1	KP 330 0062	AYAR DIŞLİSİ -R CALIPER ADJUSTING GEAR - R -		1
2	KP 330 0067	FREZELİ MİL ARKA -R- SPLINE SHAFT (REAR) - R -	26 FREZE	1
3	KP 330 0069	FREZELİ MİL BİLYA YATAĞI -R- BEARING HOUSE-R		1
4	KP 330 0071	FREZELİ MİL MASURA BİLYA ROLLER BEARING		1
5	KP 330 0072	FREZELİ MİL BİLYA TAKIMI BALL SOCKET SET		1
6	KP 330 0052	AYAR DIŞLİSİ KİLİT TAKIMI -R CLUTCH SYSTEM-R		1
7	KP 330 0046	CİRCİR AYAR TAKIMI -R- SMALL CLUTCH SYSTEM-R		1
8	KP 330 0043	FREZELİ MİL KAPAK TAKIMI CALIPER CAP & PIN SET		1
9	KP 330 0048	FREZELİ MİL BURCU / SPLINE SHAFT BUSH	55x50x20	1
10	KP 330 0079	FREZELİ MİL KORUYUCU PLASTİK KÜÇÜK BOOT SMALL		1
11	KP 330 0084	FREZELİ MİL RAYNELİ BÜYÜK WAVY WASHER		1

KP 330 0061 ➤ TAMİR SETİ ARKA-L / CALIPER SET REAR - L -


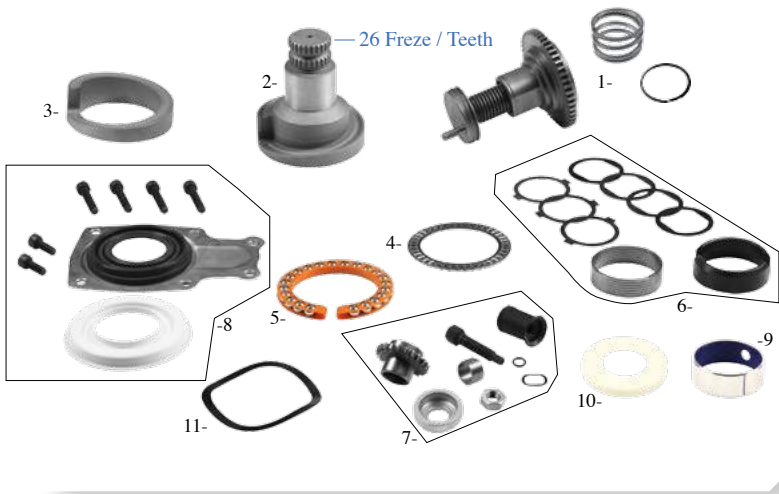
PARÇA NO PART NUMBER	STOK KODU STOCK CODE	PARÇA ADI PART NAME	ÖLÇÜ DIMENSION	ADET PIECE
1	KP 330 0063	AYAR DIŞLİSİ -L - CALIPER ADJUSTING GEAR - L -		1
2	KP 330 0068	FREZELİ MİL ARKA -L- SPLINE SHAFT (REAR) - L -	26 FREZE	1
3	KP 330 0070	FREZELİ MİL BİLYA YATAĞI -L- BEARING HOUSE-L		1
4	KP 330 0071	FREZELİ MİL MASURA BİLYA ROLLER BEARING		1
5	KP 330 0072	FREZELİ MİL BİLYA TAKIMI BALL SOCKET SET		1
6	KP 330 0053	AYAR DIŞLİSİ KİLİT TAKIMI -L CLUTCH SYSTEM-L		1
7	KP 330 0047	CİRCİR AYAR TAKIMI -L- SMALL CLUTCH SYSTEM-L		1
8	KP 330 0043	FREZELİ MİL KAPAK TAKIMI CALIPER CAP & PIN SET		1
9	KP 330 0048	FREZELİ MİL BURCU SPLINE SHAFT BUSH	55x50x20	1
10	KP 330 0079	FREZELİ MİL KORUYUCU PLASTİK KÜÇÜK BOOT SMALL		1
11	KP 330 0084	FREZELİ MİL RAYNELİ BÜYÜK WAVY WASHER		1

KP 330 0067 ➤ FREZELİ MİL ARKA -R- / SPLINE SHAFT (REAR) - R -

KP 330 0068 ➤ FREZELİ MİL ARKA -L- / SPLINE SHAFT (REAR) - L -


KP 330 0058 ➤ TAMİR SETİ ÖN-R / CALIPER SET FRONT - R -


PARÇA NO PART NUMBER	STOK KODU STOCK CODE	PARÇA ADI PART NAME	ÖLÇÜ DIMENSION	ADET PIECE
1	KP 330 0062	AYAR DİŞLİSİ -R CALIPER ADJUSTING GEAR - R -		1
2	KP 330 0065	FREZELİ MİL ÖN -R- SPLINE SHAFT (FRONT) - R -	26 FREZE	1
3	KP 330 0069	FREZELİ MİL BİLYA YATAĞI -R- BEARING HOUSE-R		1
4	KP 330 0071	FREZELİ MİL MASURA BİLYA ROLLER BEARING		1
5	KP 330 0072	FREZELİ MİL BİLYA TAKIMI BALL SOCKET SET		1
6	KP 330 0052	AYAR DİŞLİSİ KİLİT TAKIMI -R - CLUTCH SYSTEM -R -		1
7	KP 330 0062	CIRCİR AYAR TAKIMI -R- SMALL CLUTCH SYSTEM -R -		1
8	KP 330 0046	FREZELİ MİL KAPAK TAKIMI CALIPER CAP & PIN SET		1
9	KP 330 0048	FREZELİ MİL BURCU SPLINE SHAFT BUSH	55x50x20	1
10	KP 330 0079	FREZELİ MİL KORUYUCU PLASTİK KÜÇÜK BOOT SMALL		1
11	KP 330 0084	FREZELİ MİL RAYNELİ BÜYÜK WAVY WASHER		1

KP 330 0059 ➤ TAMİR SETİ ÖN-L / CALIPER SET FRONT - L -


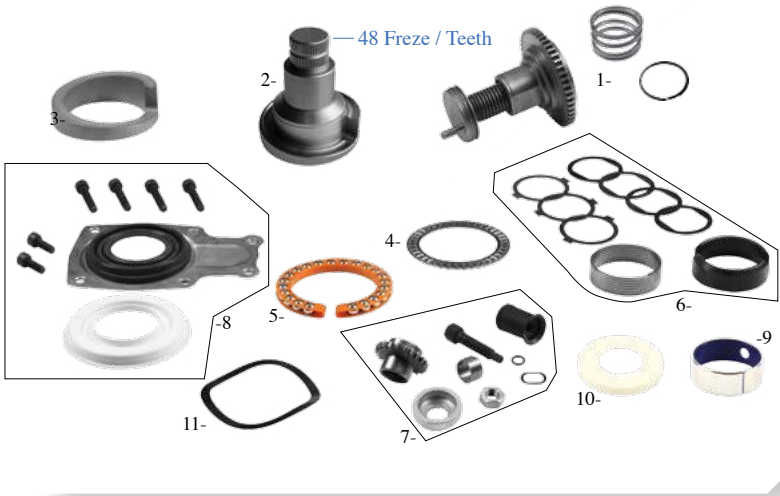
PARÇA NO PART NUMBER	STOK KODU STOCK CODE	PARÇA ADI PART NAME	ÖLÇÜ DIMENSION	ADET PIECE
1	KP 330 0063	AYAR DİŞLİSİ -L - CALIPER ADJUSTING GEAR - L -		1
2	KP 330 0066	FREZELİ MİL ÖN -L- SPLINE SHAFT (FRONT) - L -	26 FREZE	1
3	KP 330 0070	FREZELİ MİL BİLYA YATAĞI -L- BEARING HOUSE-L		1
4	KP 330 0071	FREZELİ MİL MASURA BİLYA ROLLER BEARING		1
5	KP 330 0072	FREZELİ MİL BİLYA TAKIMI BALL SOCKET SET		1
6	KP 330 0053	AYAR DİŞLİSİ KİLİT TAKIMI -L - CLUTCH SYSTEM -L-		1
7	KP 330 0047	CIRCİR AYAR TAKIMI -L- SMALL CLUTCH SYSTEM -L -		1
8	KP 330 0043	FREZELİ MİL KAPAK TAKIMI CALIPER CAP & PIN SET		1
9	KP 330 0048	FREZELİ MİL BURCU SPLINE SHAFT BUSH	55x50x20	1
10	KP 330 0079	FREZELİ MİL KORUYUCU PLASTİK KÜÇÜK BOOT SMALL		1
11	KP 330 0084	FREZELİ MİL RAYNELİ BÜYÜK WAVY WASHER		1

KP 330 0065 ➤ FREZELİ MİL ÖN -R- / SPLINE SHAFT (FRONT) - R -

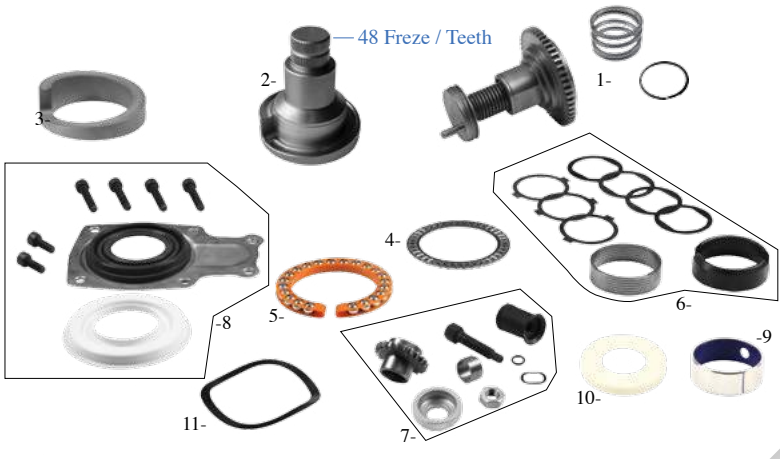
KP 330 0066 ➤ FREZELİ MİL ÖN -L- / SPLINE SHAFT (FRONT) - L -

KP 330 0069 ➤ FREZELİ MİL BİLYA YATAĞI -R- / BEARING HOUSE-R

KP 330 0070 ➤ FREZELİ MİL BİLYA YATAĞI -L- / BEARING HOUSE-L


KP 330 0039 ➤ TAMİR SETİ ÖN-R / CALIPER SET FRONT - R -


PARÇA NO PART NUMBER	STOK KODU STOCK CODE	PARÇA ADI PART NAME	ÖLÇÜ DIMENSION	ADET PIECE
1	KP 330 0062	AYAR DİŞLİSİ -R CALIPER ADJUSTING GEAR - R -		1
2	KP 330 0041	FREZELİ MİL ÖN -R- SPLINE SHAFT (FRONT) - R -	48 FREZE	1
3	KP 330 0069	FREZELİ MİL BİLYA YATAĞI -R- BEARING HOUSE -R -		1
4	KP 330 0071	FREZELİ MİL MASURA BİLYA ROLLER BEARING		1
5	KP 330 0072	FREZELİ MİL BİLYA TAKIMI BALL SOCKET SET		1
6	KP 330 0052	AYAR DİŞLİSİ KİLİT TAKIMI -R - CLUTCH SYSTEM -R-		1
7	KP 330 0062	CİRCİR AYAR TAKIMI -R- SMALL CLUTCH SYSTEM-R		1
8	KP 330 0046	FREZELİ MİL KAPAK TAKIMI CALIPER CAP & PIN SET		1
9	KP 330 0048	FREZELİ MİL BURCU SPLINE SHAFT BUSH	55x50x20	1
10	KP 330 0079	FREZELİ MİL KORUYUCU PLASTİK KÜÇÜK BOOT SMALL		1
11	KP 330 0084	FREZELİ MİL RAYNELİ BÜYÜK WAVY WASHER		1

KP 330 0040 ➤ TAMİR SETİ ÖN-L / CALIPER SET FRONT - L -


PARÇA NO PART NUMBER	STOK KODU STOCK CODE	PARÇA ADI PART NAME	ÖLÇÜ DIMENSION	ADET PIECE
1	KP 330 0063	AYAR DİŞLİSİ -L- CALIPER ADJUSTING GEAR - L -		1
2	KP 330 0042	FREZELİ MİL ÖN -L- SPLINE SHAFT (FRONT) - L -	48 FREZE	1
3	KP 330 0070	FREZELİ MİL BİLYA YATAĞI -L- BEARING HOUSE -L-		1
4	KP 330 0071	FREZELİ MİL MASURA BİLYA ROLLER BEARING		1
5	KP 330 0072	FREZELİ MİL BİLYA TAKIMI BALL SOCKET SET		1
6	KP 330 0053	AYAR DİŞLİSİ KİLİT TAKIMI -L CLUTCH SYSTEM-L		1
7	KP 330 0047	CİRCİR AYAR TAKIMI -L- SMALL CLUTCH SYSTEM -L-		1
8	KP 330 0043	FREZELİ MİL KAPAK TAKIMI CALIPER CAP & PIN SET		1
9	KP 330 0048	FREZELİ MİL BURCU SPLINE SHAFT BUSH	55x50x20	1
10	KP 330 0079	FREZELİ MİL KORUYUCU PLASTİK KÜÇÜK BOOT SMALL		1
11	KP 330 0084	FREZELİ MİL RAYNELİ BÜYÜK WAVY WASHER		1

KP 330 0041 ➤ FREZELİ MİL ÖN -R- / SPLINE SHAFT (FRONT) - R -

KP 330 0042 ➤ FREZELİ MİL ÖN -L- / SPLINE SHAFT (FRONT) - L -


KP 330 0043 >> FREZELİ MİL KAPAK TAKIMI
CALIPER CAP & PIN SET



SJ1212

KP 330 0076 >> FREZELİ MİL KAPAK TAKIMI
CALIPER CAP & PIN SET



KP 330 0077 >> FREZELİ MİL KAPAK TAKIMI
CALIPER CAP & PIN SET



KP 330 0044 >> FREZELİ MİL TOZ SACI
DUST COVER



KP 330 0081 >> BURÇ VE KEÇE TAKIMI
BUSH & SEAL SET



KP 330 0079 >> FREZELİ MİL KORUYUCU PLASTİK KÜÇÜK
BOOT SMALL



KP 330 0080 >> FREZELİ MİL KORUYUCU PLASTİK BÜYÜK
BOOT BIG



KP 330 0045 >> AYAR DİŞLİSİ / CALIPER ADJUSTING MECHANISM GEAR



KP 330 0046 >> CIRCİR AYAR TAKIMI -R- / SMALL CLUTCH SYSTEM -R-



KP 330 0047 >> CIRCİR AYAR TAKIMI -L- / SMALL CLUTCH SYSTEM -L-





KP 330 0062 >> AYAR DIŞLİSİ -R / CALIPER ADJUSTING GEAR - R -



KP 330 0063 >> AYAR DIŞLİSİ -L / CALIPER ADJUSTING GEAR - L -



KP 330 0050 >> AYAR DIŞLİSİ KİLİT TAKIMI -R-
CLUTCH SYSTEM -R-



KP 330 0051 >> AYAR DIŞLİSİ KİLİT TAKIMI -L-
CLUTCH SYSTEM -L-



KP 330 0052 >> AYAR DIŞLİSİ KİLİT TAKIMI -R
CLUTCH SYSTEM-R



KP 330 0053 >> AYAR DIŞLİSİ KİLİT TAKIMI -L-
CLUTCH SYSTEM -L-



KP 330 0049 >> AYAR DIŞLİSİ KİLİT TAKIMI
CLUTCH SYSTEM



KP 330 0370 >> AYAR DIŞLİSİ SEKMANI
GEAR WAVY WASHER



KP 330 0085 >> FREZELİ MİL RAYNELİ KÜÇÜK
WAVY WASHER



KP 330 0072 >> FREZELİ MİL BİLYA TAKIMI
BALL SOCKET SET



KP 330 0071 >> FREZELİ MİL MASURA BİLYA
ROLLER BEARING



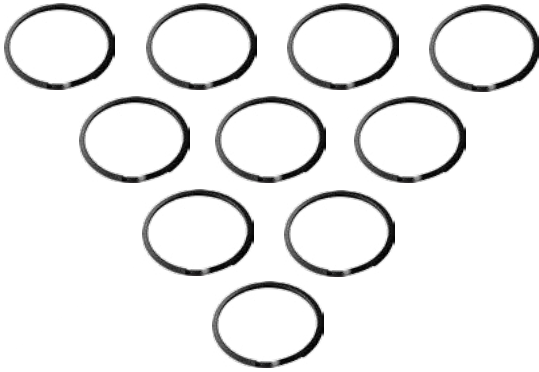
KP 330 0084 >> FREZELİ MİL RAYNELİ BÜYÜK
WAVY WASHER



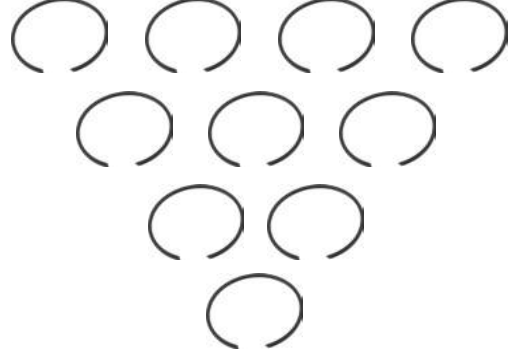
KP 330 0355 >> KEÇE TAKIMI
SEAL SET



KP 330 0356 >> AYAR DİŞLİSİ SEKMAN TAKIMI
GEAR WAVY WASHER SET



KP 330 0357 >> AYAR DİŞLİSİ SEKMAN TAKIMI
GEAR WAVY WASHER SET



KP 330 0082 >> YAY SETİ / SPRING SET - R -



KP 330 0083 >> YAY SETİ / SPRING SET - L -




KP 330 0054 ➤ TOZ LASTİK VE PERNO TAKIMI
DUST RUBBER AND PIN SET


PARÇA NO PART NUMBER	STOK KODU STOCK CODE	PARÇA ADI PART NAME	ÖLÇÜ DIMENSION	ADET PIECE
1	KP 330 0358	PERNO / PIN	32x74 MM.	1
2	KP 330 0359	PERNO / PIN	32x117 MM.	1
3	KP 330 0360	PERNO CİVATASI / PIN BOLT	92 MM./18x1,5	1
4	KP 330 0361	PERNO CİVATASI / PIN BOLT	117 MM./18x1,5	1
5	KP 330 0078	PERNO BURCU / PIN BUSH	36x32x42	2
6	KP 330 0057	PERNO BURCU / PIN BUSH	36x32x62	1
7	KP 330 0020	PERNO TAPASI / PIN CAP	37x11,5	2
8	KP 330 0362	PERNO TOZ SACI / PIN DUST COVER		2
9	KP 330 0363	PERNO TOZ LASTİĞİ CALIPER PIN DUST RUBBER		2

KP 330 0366 ➤ TOZ LASTİK VE PERNO TAKIMI
DUST RUBBER AND PIN SET


PARÇA NO PART NUMBER	STOK KODU STOCK CODE	PARÇA ADI PART NAME	ÖLÇÜ DIMENSION	ADET PIECE
1	KP 330 0358	PERNO / PIN	32x74 MM.	1
2	KP 330 0359	PERNO / PIN	32x117 MM.	1
3	KP 330 0360	PERNO CİVATASI / PIN BOLT	92 MM./18x1,5	1
4	KP 330 0361	PERNO CİVATASI / PIN BOLT	117 MM./18x1,5	1
5	KP 330 0078	PERNO BURCU / PIN BUSH	36x32x42	2
6	KP 330 0364	PERNO BURCU / PIN BUSH	Ø32/33x36x30	1
7	KP 330 0020	PERNO TAPASI / PIN CAP	37x11,5	2
8	KP 330 0362	PERNO TOZ SACI / PIN DUST COVER		2
9	KP 330 0363	PERNO TOZ LASTİĞİ CALIPER PIN DUST RUBBER		2

SJ4011

KP 330 0055 ➤ TOZ LASTİK VE PERNO TAKIMI
DUST RUBBER AND PIN SET


SJ4001

KP 330 0075 ➤ TOZ LASTİK VE PERNO TAKIMI
DUST RUBBER AND PIN SET


SJ1213

KP 330 0078 ➤ PERNO BURCU
PIN BUSH

36x32x42


KP 330 0057 ➤ PERNO BURCU / PIN BUSH

36x32x62



KP 330 0074 >> PERNO TOZ LASTİK TAKIMI
CALIPER PIN DUST RUBBER SET



KP 330 0056 >> CIRCIR AYAR CİVATASI / DUST COVER BOLT



KP 330 0073 >> FREZELİ MİL AYAR KOLU 26 FREZE
SPLINE SHAFT ADJUSTING ROD 26 TEETH



68320835

KP 330 0365 >> FREZELİ MİL AYAR KOLU 48 FREZE
SPLINE SHAFT ADJUSTING ROD 48 TEETH



KP 330 0064 >> BALATA PLEYTİ
CALIPER BRAKE LINING PLATE



KP 330 0048 >> FREZELİ MİL BURCU / SPLINE SHAFT BUSH



KP 301 0001 >> GRES YAĞI / GREASE





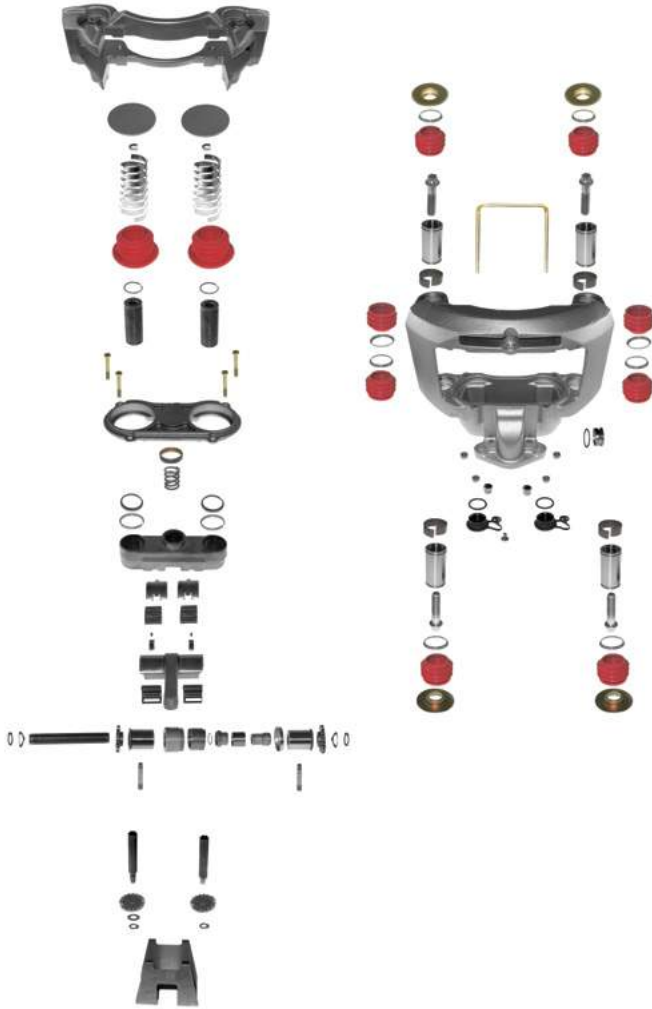
HALDEX MARK II - III - IV

www.hd.com.tr

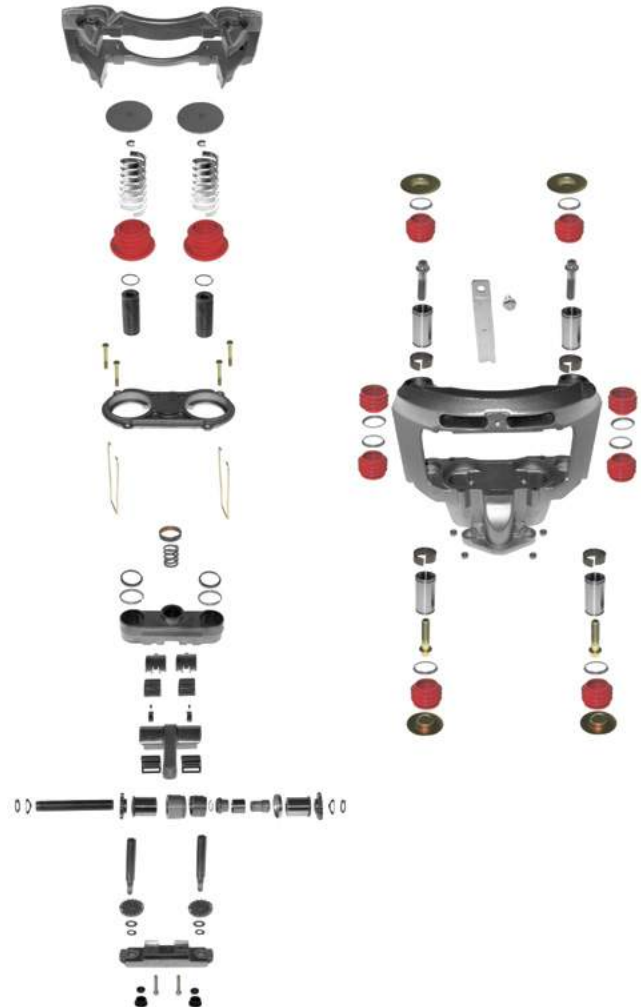
HALDEX MARK II-III

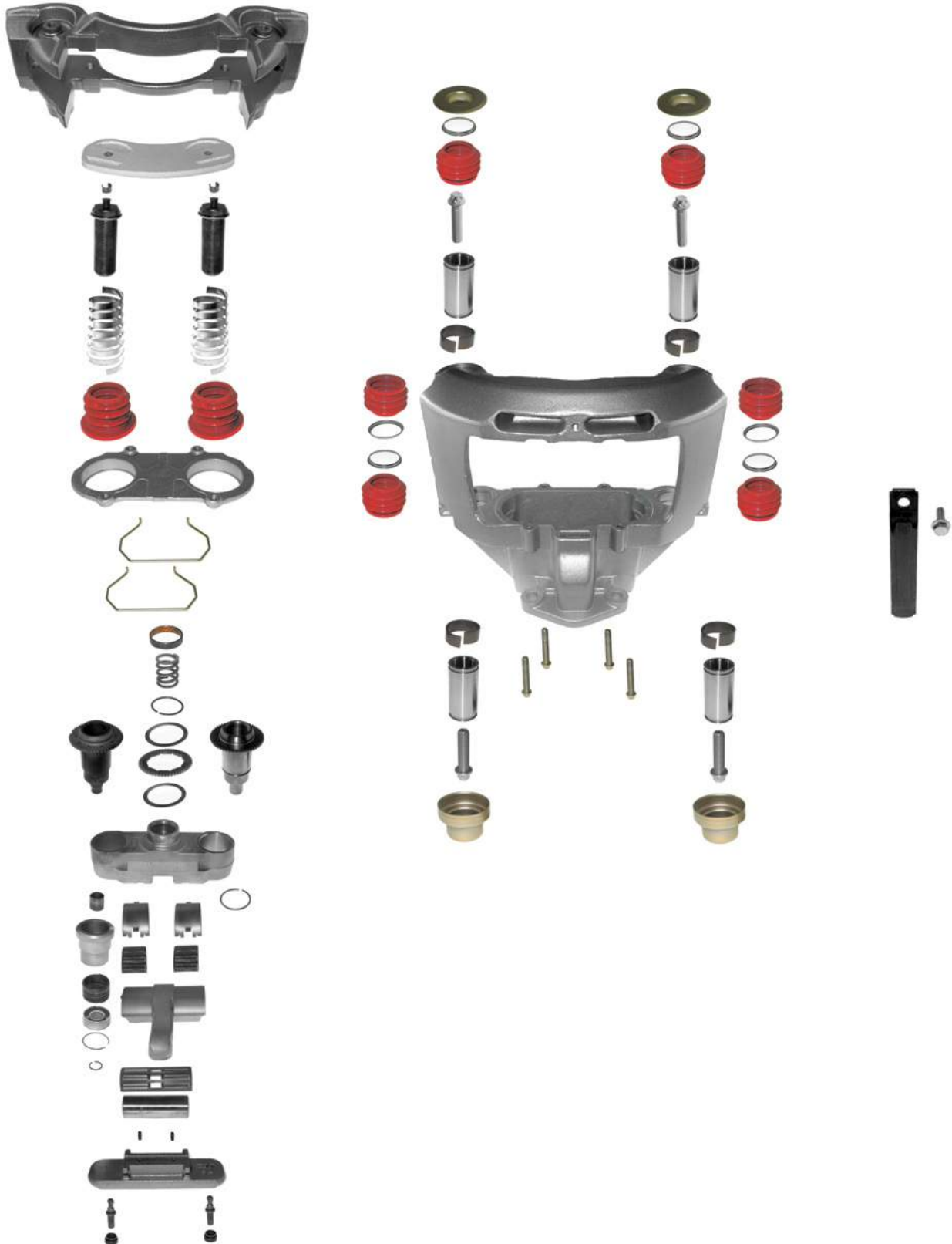


MARK II



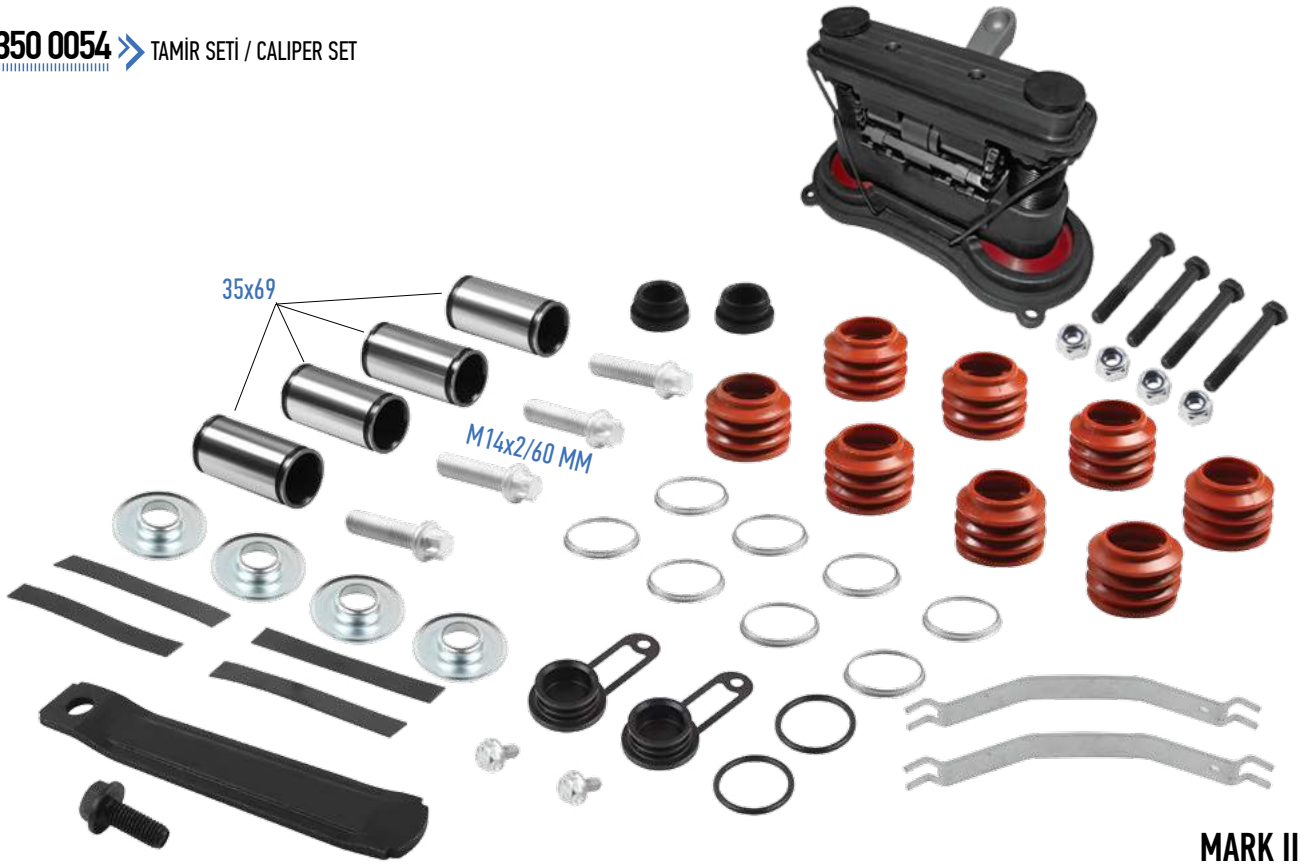
MARK III







KP 350 0054 >> TAMİR SETİ / CALIPER SET



KP 350 0055 >> TAMİR SETİ / CALIPER SET





KP 350 0056 ➤ TAMİR SETİ / CALIPER SET



MARK IV

KP 350 0057 ➤ TAMİR SETİ / CALIPER SET



MARK IV

KP 350 0048 >> KALİPER KAPAĞI / CALIPER COVER



MARK III

KP 350 0009 >> KALİPER KAPAĞI
CALIPER COVER



MARK IV

KP 350 0059 >> KALİPER DÜRBÜNÜ
CALIPER BRIDGE ASSEMBLY KIT



MARK III

KP 350 0005 >> KALİPER DÜRBÜNÜ
CALIPER BRIDGE ASSEMBLY KIT



MARK IV

KP 350 0060 >> KALİPER KAPAĞI
CALIPER COVER



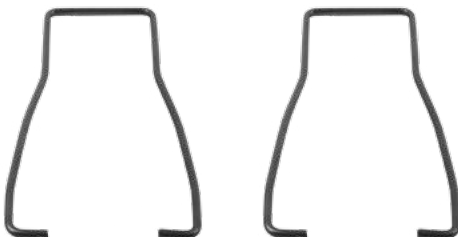
MARK III

KP 350 0061 >> KALİPER KAPAĞI
CALIPER COVER



MARK IV

KP 350 0050 >> KALİPER MEKANİZMA SEKMANI
CALIPER MECHANISM RING



MARK III

KP 350 0013 >> KALİPER MEKANİZMA SEKMANI
CALIPER MECHANISM RING



MARK IV



KP 350 0058 >> AYAR MEKANİZMASI / ADJUSTING MECHANISM SHAFT



MARK III

KP 350 0049 >> AYAR CİVATASI VE İTİCİ PLEYT
CALIBRATION BOLT & TAPPET



MARK III

KP 350 0062 >> CALİPER AYAR DİŞLİSİ -R
CALIBRATION GEAR -R



MARK III

KP 350 0123 >> CALİPER AYAR DİŞLİSİ -L
CALIBRATION GEAR -L



MARK III

KP 350 0008 >> AYAR MEKANİZMASI
ADJUSTING MECHANISM



MARK IV

KP 350 0010 >> KALİPER MEKANİZMA DİŞLİSİ
CALIPER MECHANISM GEAR



MARK IV

KP 350 0007 >> AYAR MEKANİZMASI
ADJUSTING MECHANISM



MARK IV

KP 350 0006 >> AYAR MEKANİZMASI
ADJUSTING MECHANISM



MARK IV



KP 350 0063 >> MASURA BİLYA YATAĞI
LEVER



MARK III

KP 350 0011 >> MASURA BİLYA YATAĞI
LEVER



MARK IV

KP 350 0064 >> MASURA BİLYA TAKIMI
ROLLER BEARING SET



MARK III

KP 350 0012 >> MASURA BİLYA TAKIMI
ROLLER BEARING SET



MARK IV

KP 350 0065 >> MASURA BİLYA TAKIMI
ROLLER BEARING SET



MARK III

KP 350 0014 >> MASURA BİLYA
ROLLER BEARING



MARK IV

KP 350 0020 >> TAPA TAKIMI / CAP SET



MARK IV

90693

KP 350 0019 >> MİL / SHAFT



MARK IV



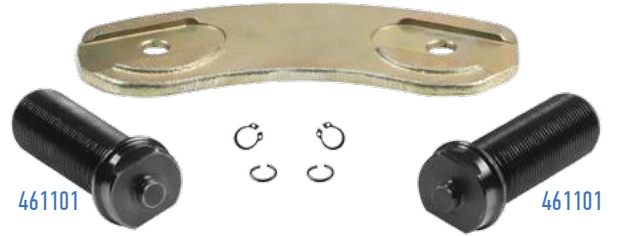
KP 350 0066 >> PLEYT VE CİVATA TAKIMI / PLATE & BOLT SET



MARK IV

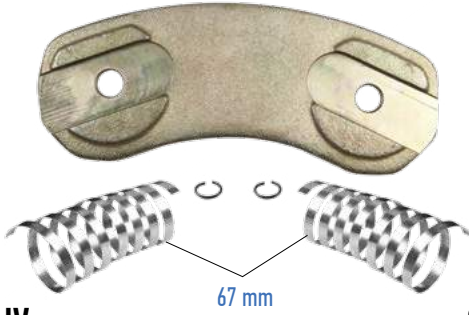
94664

KP 350 0015 >> PLEYT VE CİVATA TAKIMI / PLATE & BOLT SET



MARK IV

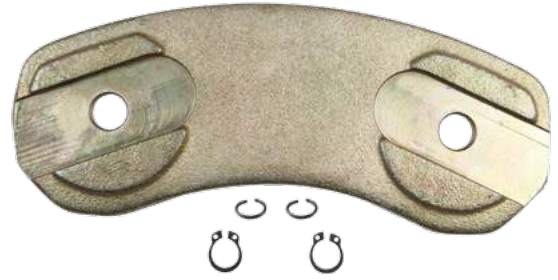
KP 350 0067 >> BALATA TUTUCU PLEYTİ / BRAKE LINING PLATE



MARK IV

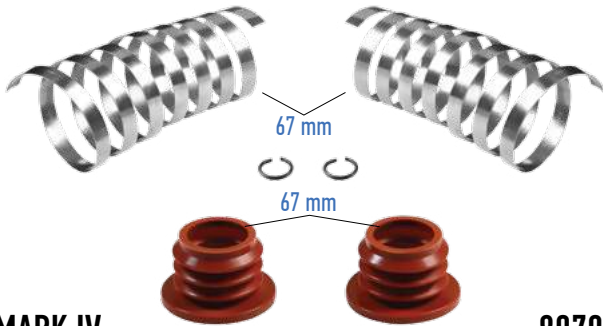
92731

KP 350 0016 >> BALATA TUTUCU PLEYTİ / BRAKE LINING PLATE



MARK IV

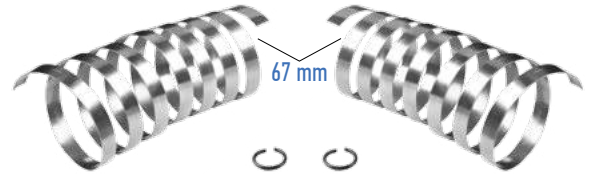
KP 350 0046 >> TOZ LASTİK TAKIMI
CALIPER DUST RUBBER SET



MARK IV

89794

KP 350 0068 >> TOZ LASTİK KORUYUCU YAY
DUST RUBBER PROTECTOR SPRING



MARK IV

94665

KP 350 0017 >> AYAR CİVATASI / CALIBRATION BOLT



MARK IV

KP 350 0018 >> AYAR CİVATASI / CALIBRATION BOLT



MARK IV

KP 350 0069 ➤ TOZ LASTİK TAKIMI
CALIPER DUST RUBBER SET


MARK II - MARK III

87405

KP 350 0070 ➤ TOZ LASTİK TAKIMI
CALIPER DUST RUBBER SET

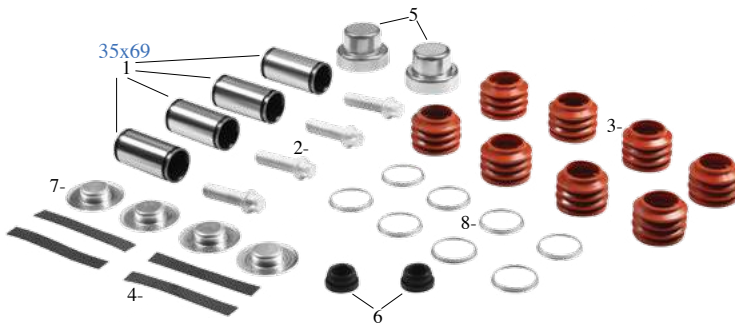

MARK II - MARK III

94663

KP 350 0071 ➤ TOZ LASTİK VE PERNO TAKIMI
CALIPER DUST RUBBER AND PIN SET


MARK II - MARK III

87406

KP 350 0036 ➤ TOZ LASTİK VE PERNO TAKIMI
CALIPER DUST RUBBER AND PIN SET


MARK III - MARK IV

89541

PARÇA NO PART NUMBER	STOK KODU STOCK CODE	PARÇA ADI PART NAME	ÖLÇÜ DIMENSION	ADET PIECE
1	KP 350 0072	PERNO / PIN	35x69 MM.	4
2	KP 350 0073	PERNO CİVATASI / PIN BOLT	53 MM./14x2	4
3	KP 350 0074	PERNO KÖRÜKLÜ LASTİK KIRMIZI CALIPER PIN DUST RUBBER RED		8
4	KP 350 0075	FİBER BURÇ / BUSH		4
5	KP 350 0076	PERNO TAPASI / PIN CAP	58x40	2
6	KP 350 0077	PLASTİK TAPA / RUBBER CAP		2
7	KP 350 0078	PERNO TAPASI / PIN CAP	56x12	4
8	KP 350 0079	PERNO YÜZÜĞÜ / PIN RING	42x36x4	8

KP 350 0080 ➤ TAPA TAKIMI / CAP SET


MARK II - MARK III

87408

KP 350 0081 ➤ TAPA TAKIMI / CAP SET


MARK III

89925



KP 350 0082 ➤ TOZ LASTİK VE PERNO TAKIMI
CALIPER DUST RUBBER AND PIN SET



MARK II - MARK III - MARK IV

94661

KP 350 0037 ➤ TOZ LASTİK VE PERNO TAKIMI
CALIPER DUST RUBBER & PIN SET



MARK III - MARK IV

PARÇA NO PART NUMBER	STOK KODU STOCK CODE	PARÇA ADI PART NAME	ÖLÇÜ DIMENSION	ADET PIECE
1	KP 350 0072	PERNO / PIN	35x69 MM.	4
2	KP 350 0073	PERNO CİVATASI / PIN BOLT	53 MM./14x2	4
3	KP 350 0074	PERNO KÖRÜKLÜ LASTİK KIRMIZI CALIPER PIN DUST RUBBER RED		8
4	KP 350 0075	FİBER BURÇ / BUSH		4
5	KP 350 0077	PLASTİK TAPA / RUBBER CAP		2
6	KP 350 0079	PERNO YÜZÜĞÜ / PIN RING	42x36x4	8

KP 350 0083 ➤ TOZ LASTİK VE TAPA TAKIMI
CALIPER DUST RUBBER AND CAP SET



MARK II - MARK III - MARK IV

87680

KP 350 0038 ➤ TOZ LASTİK VE PERNO TAKIMI
CALIPER DUST RUBBER SET



MARK III - MARK IV

PARÇA NO PART NUMBER	STOK KODU STOCK CODE	PARÇA ADI PART NAME	ÖLÇÜ DIMENSION	ADET PIECE
1	KP 350 0074	PERNO KÖRÜKLÜ LASTİK KIRMIZI / CALIPER PIN DUST RUBBER RED		8
2	KP 350 0075	FİBER BURÇ / BUSH		4
3	KP 350 0076	PERNO TAPASI / PIN CAP	58x40	2
4	KP 350 0077	PLASTİK TAPA / RUBBER CAP		2
5	KP 350 0079	PERNO YÜZÜĞÜ / PIN RING	42x36x4	8



KP 350 0084 > TOZ LASTİK VE PERNO TAKIMI
CALIPER DUST RUBBER SET



MARK II - MARK III - MARK IV

89723

KP 350 0085 > BALATA TAŞIYICI SAC TAKIMI
PAD RETAINER SET



MARK III - MARK IV

94659

KP 350 0086 > BALATA TAŞIYICI SAC TAKIMI
PAD RETAINER SET



MARK III - MARK IV

91216

KP 350 0023 > BALATA TAŞIYICI SACI
PAD RETAINER



MARK III - MARK IV

90673

KP 350 0087 > BALATA TAŞIYICI SACI
PAD RETAINER



MARK II - MARK III - MARK IV

89924

KP 350 0045 > TAPA TAKIMI / CAP SET

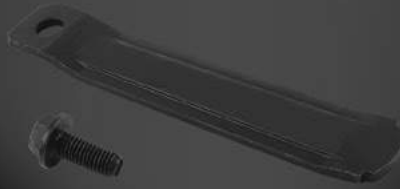
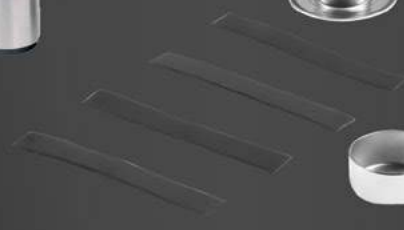


MARK IV

89927

KP 010 0001 > GRES YAĞI / GREASE

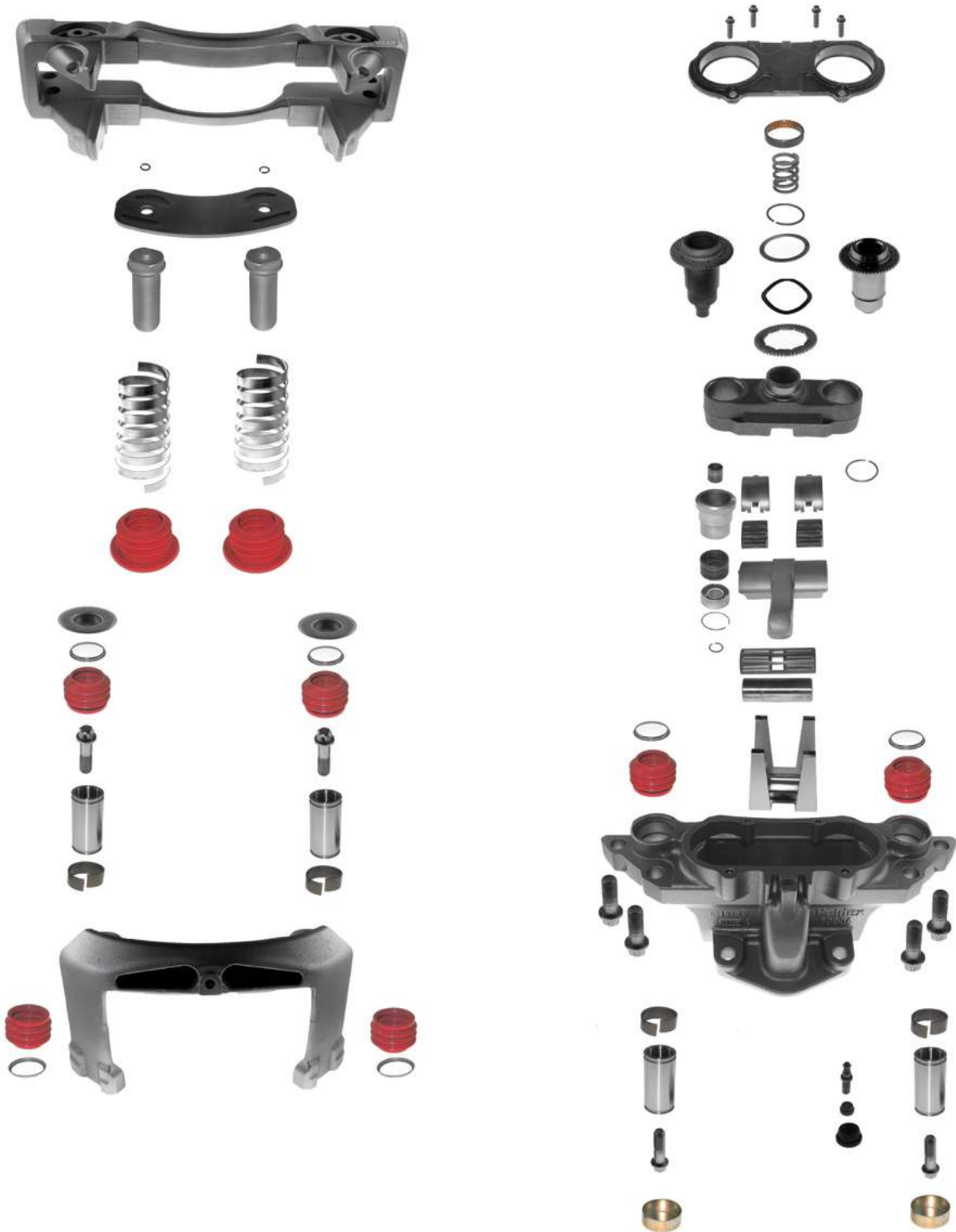




HALDEX MODUL X

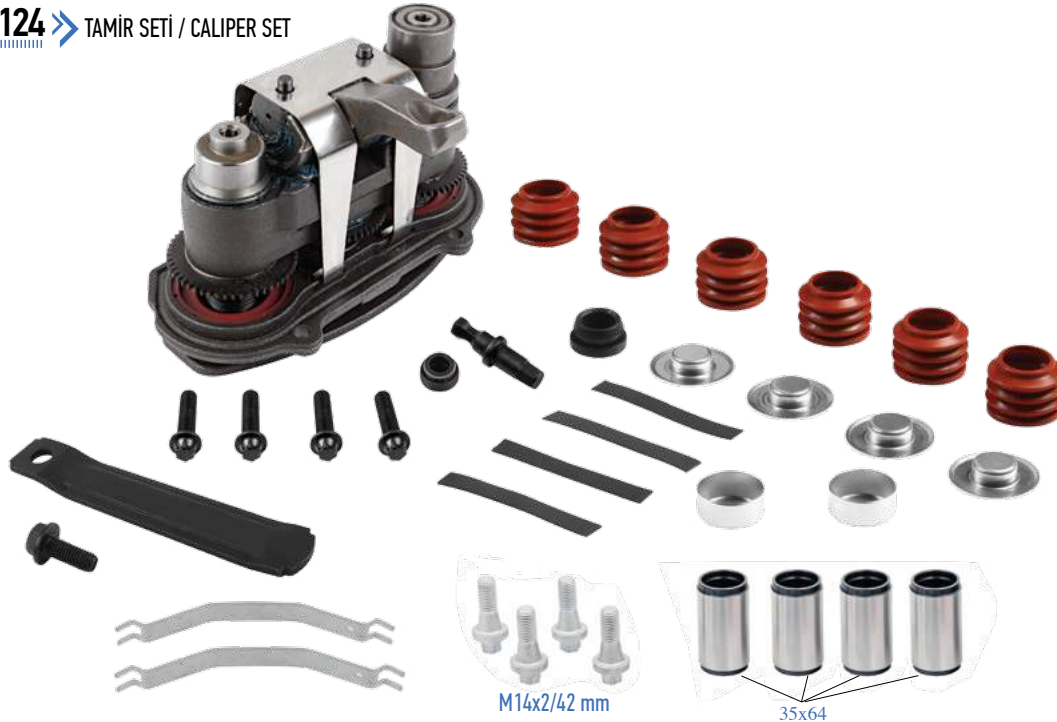
www.hd.com.tr

HALDEX MODUL X





KP 350 0124 ➤ TAMİR SETİ / CALIPER SET



GEN 1

KP 350 0125 ➤ TAMİR SETİ / CALIPER SET



GEN 1

KP 350 0216 ➤ TAMİR SETİ / CALIPER SET

GEN 2
KP 350 0001 ➤ KALİPER SETİ / CALIPER SET

GEN 2

PARÇA NO PART NUMBER	STOK KODU STOCK CODE	PARÇA ADI PART NAME	ÖLÇÜ DIMENSION	ADET PIECE
1	KP 350 0025	KALİPER DÜRBÜNÜ / CALIPER BRIDGE ASSEMBLY		1
2	KP 350 0029	KALİPER KAPAĞI / CALIPER COVER		1
3	KP 350 0027	AYAR MEKANİZMASI / ADJUSTING MECHANISM		1
4	KP 350 0028	AYAR MEKANİZMASI / ADJUSTING MECHANISM		1
5	KP 350 0026	AYAR MEKANİZMA DİŞLİSİ / MECHANISM GEAR		1
6	KP 350 0010	KALİPER MEKANİZMA DİŞLİSİ CALIPER MECHANISM GEAR		1
7	KP 350 0031	MASURA BİLYA YATAĞI / LEVER		1
8	KP 350 0032	MASURA BİLYA TAKIMI / ROLLER BEARING SET		1
9	KP 350 0034	MASURA BİLYA TAKIMI / ROLLER BEARING SET		1
10	KP 350 0024	AYAR CIVATASI VE İTİCİ PLEYT CALIBRATION BOLT & TAPPET		2
11	KP 350 0021	MİL / SHAFT		1
12	KP 350 0022	AYAR VIDASI / ADJUSTER BOLT		1
13	KP 350 0033	MEKANİZMA KİLİT SACI / MECHANISM CLAMP		1
14	KP 350 0030	AYAR MEKANİZMASI SACI ADJUSTING MECHANISM CAP		1
15	KP 350 0077	PLASTİK TAPA / RUBBER CAP		1
16	KP 350 0127	KEÇE / SEAL		1



KP 350 0005 ➤ KALİPER DÜRBÜNÜ
CALIPER BRIDGE ASSEMBLY KIT



GEN 1

KP 350 0025 ➤ KALİPER DÜRBÜNÜ / CALIPER BRIDGE ASSEMBLY



GEN 2

KP 350 0088 ➤ MEKANİZMA KİLİT SACI / MECHANISM CLAMP



GEN 1

KP 350 0029 ➤ KALİPER KAPAĞI / CALIPER COVER



GEN 1 - GEN 2

KP 350 0030 ➤ AYAR MEKANİZMASI SACI / ADJUSTING MECHANISM CAP



GEN 2

KP 350 0033 ➤ MEKANİZMA KİLİT SACI / MECHANISM CLAMP



GEN 2



KP 350 0006 >> AYAR MEKANİZMASI
ADJUSTING MECHANISM



GEN 1

KP 350 0010 >> KALİPER MEKANİZMA DİŞLİSİ
CALIPER MECHANISM GEAR



GEN1 - GEN 2

KP 350 0089 >> AYAR MEKANİZMASI
ADJUSTING MECHANISM



GEN 1

KP 350 0008 >> AYAR MEKANİZMASI
ADJUSTING MECHANISM



GEN 1

KP 350 0028 >> AYAR MEKANİZMASI / ADJUSTING MECHANISM



GEN 2

KP 350 0027 >> AYAR MEKANİZMASI / ADJUSTING MECHANISM



GEN 2

KP 350 0026 >> AYAR MEKANİZMA DİŞLİSİ / MECHANISM GEAR



GEN 2

KP 350 0090 >> AYAR CİVATASI VE İTİCİ PLEYT TAKIMI
CALIBRATION BOLT & TAPPET SET



484101-

GEN 2



KP 350 0091 >> MASURA BİLYA YATAĞI / LEVER



GEN 1

KP 350 0031 >> MASURA BİLYA YATAĞI / LEVER



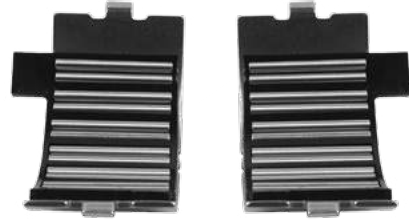
GEN 2

KP 350 0012 >> MASURA BİLYA TAKIMI
ROLLER BEARING SET



GEN 1

KP 350 0032 >> MASURA BİLYA TAKIMI / ROLLER BEARING SET



GEN 2

KP 350 0014 >> MASURA BİLYA
ROLLER BEARING



GEN 1

KP 350 0034 >> MASURA BİLYA TAKIMI / ROLLER BEARING SET



GEN 2

KP 350 0092 >> MİL / SHAFT



GEN 1

KP 350 0021 >> MİL / SHAFT



GEN 2



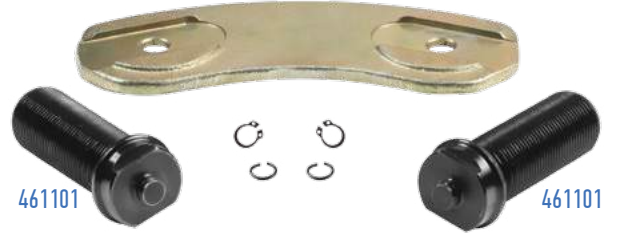
KP 350 0066 >> PLEYT VE CİVATA TAKIMI / PLATE & BOLT SET



94664

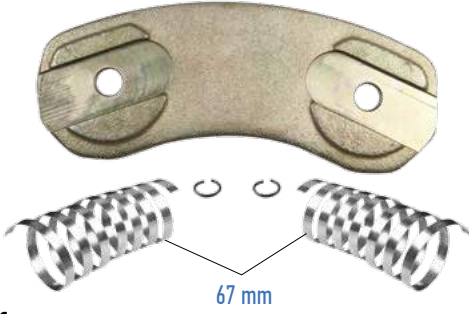
GEN 1

KP 350 0015 >> PLEYT VE CİVATA TAKIMI / PLATE & BOLT SET



GEN 1

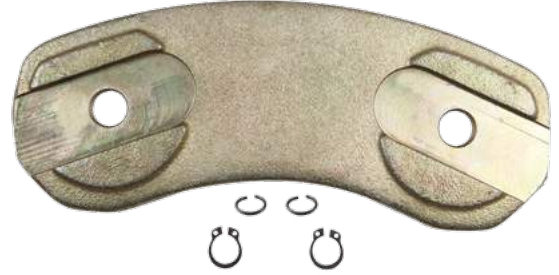
KP 350 0067 >> BALATA TUTUCU PLEYTİ / BRAKE LINING PLATE



92731

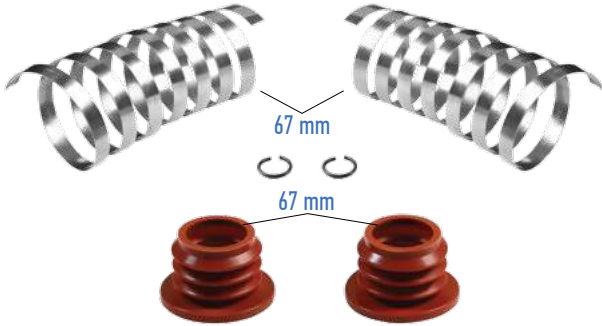
GEN 1

KP 350 0016 >> BALATA TUTUCU PLEYTİ / BRAKE LINING PLATE



GEN 1

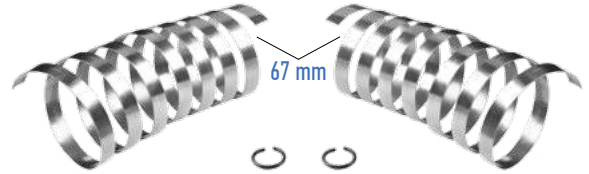
KP 350 0046 >> TOZ LASTİK TAKIMI
CALIPER DUST RUBBER SET



89794

GEN1 - GEN 2

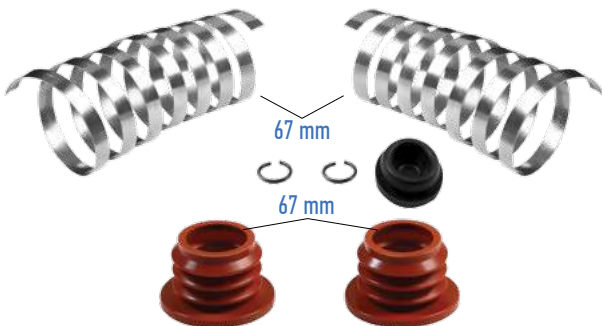
KP 350 0068 >> TOZ LASTİK KORUYUCU YAY
DUST RUBBER PROTECTOR SPRING



94665

GEN1 - GEN 2

KP 350 0046 >> TOZ LASTİK TAKIMI
CALIPER DUST RUBBER SET



91011

GEN1 - GEN 2

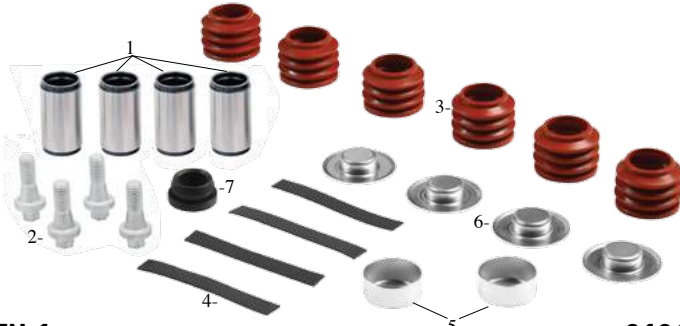
KP 350 0017 >> AYAR CİVATASI / CALIBRATION BOLT



GEN 1



KP 350 0035 ➤ TOZ LASTİK VE PERNO TAKIMI
CALIPER DUST RUBBER AND PIN SET

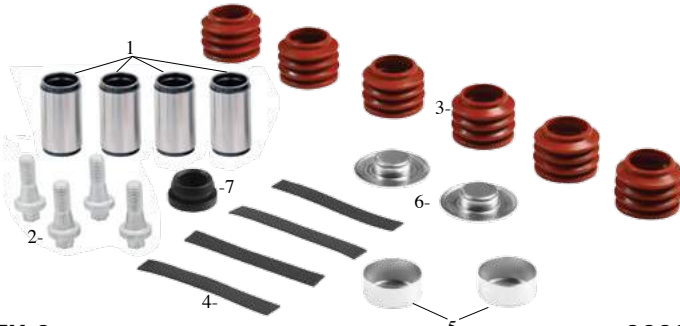


GEN 1

91012

PARÇA NO PART NUMBER	STOK KODU STOCK CODE	PARÇA ADI PART NAME	ÖLÇÜ DIMENSION	ADET PIECE
1	KP 320 0095	PERNO / PIN	35x63 MM.	4
2	KP 320 0096	PERNO CİVATASI / PIN BOLT	42 MM./14x2	4
3	KP 320 0074	PERNO KÖRÜKLÜ LASTİK KIRMIZI CALIPER PIN DUST RUBBER RED		6
4	KP 320 0075	FİBER BURÇ / BUSH		4
5	KP 320 0097	PERNO TAPASI / PIN CAP		2
6	KP 320 0078	PERNO TAPASI / PIN CAP	56x12	4
7	KP 320 0077	PLASTİK TAPA / RUBBER CAP		1

KP 350 0093 ➤ TOZ LASTİK VE PERNO TAKIMI
CALIPER DUST RUBBER AND PIN SET

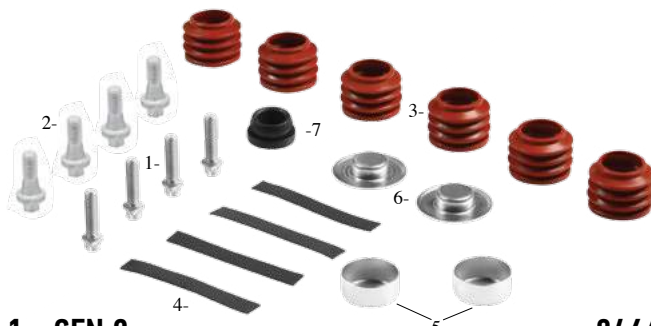


GEN 2

93299

PARÇA NO PART NUMBER	STOK KODU STOCK CODE	PARÇA ADI PART NAME	ÖLÇÜ DIMENSION	ADET PIECE
1	KP 320 0095	PERNO / PIN	35x63 MM.	4
2	KP 320 0096	PERNO CİVATASI / PIN BOLT	42 MM./14x2	4
3	KP 320 0074	PERNO KÖRÜKLÜ LASTİK KIRMIZI CALIPER PIN DUST RUBBER RED		6
4	KP 320 0075	FİBER BURÇ / BUSH		4
5	KP 320 0097	PERNO TAPASI / PIN CAP		2
6	KP 320 0078	PERNO TAPASI / PIN CAP	56x12	2
7	KP 320 0077	PLASTİK TAPA / RUBBER CAP		1

KP 350 0094 ➤ TOZ LASTİK VE TAPA TAKIMI
DUST RUBBER AND CAP SET

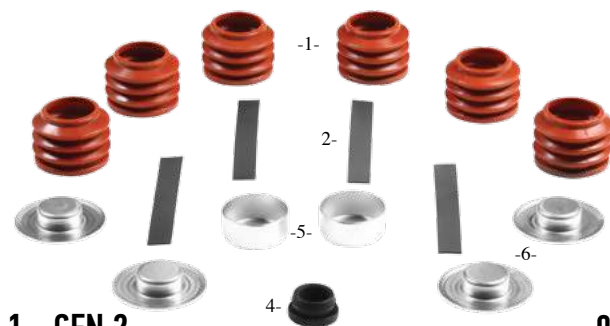


GEN 1 - GEN 2

94660

PARÇA NO PART NUMBER	STOK KODU STOCK CODE	PARÇA ADI PART NAME	ÖLÇÜ DIMENSION	ADET PIECE
1	KP 320 0073	PERNO CİVATASI / PIN BOLT	52 MM./10x2	4
2	KP 320 0096	PERNO CİVATASI / PIN BOLT	42 MM./14x2	4
3	KP 320 0074	PERNO KÖRÜKLÜ LASTİK KIRMIZI CALIPER PIN DUST RUBBER RED		6
4	KP 320 0075	FİBER BURÇ / BUSH		4
5	KP 320 0097	PERNO TAPASI / PIN CAP		2
6	KP 320 0078	PERNO TAPASI / PIN CAP	56x12	2
7	KP 320 0077	PLASTİK TAPA / RUBBER CAP		1

KP 350 0040 ➤ TOZ LASTİK VE TAPA TAKIMI
DUST RUBBER AND CAP SET



GEN 1 - GEN 2

91013

PARÇA NO PART NUMBER	STOK KODU STOCK CODE	PARÇA ADI PART NAME	ÖLÇÜ DIMENSION	ADET PIECE
1	KP 320 0074	PERNO KÖRÜKLÜ LASTİK KIRMIZI CALIPER PIN DUST RUBBER RED		6
2	KP 320 0075	FİBER BURÇ / BUSH		4
3	KP 320 0077	PLASTİK TAPA / RUBBER CAP		1
4	KP 320 0097	PERNO TAPASI / PIN CAP		2
5	KP 320 0078	PERNO TAPASI / PIN CAP	56x12	4



KP 350 0041 >> TOZ LASTİK VE TAPA TAKIMI
CALIPER DUST RUBBER AND CAP SET



GEN 1 - GEN 2

91014

KP 350 0098 >> TAPA TAKIMI / CAP SET



GEN 1 - GEN 2

91019

KP 350 0020 >> TAPA TAKIMI / CAP SET



GEN 1 - GEN 2

90693

KP 350 0081 >> TAPA TAKIMI / CAP SET



GEN 1 - GEN 2

94892

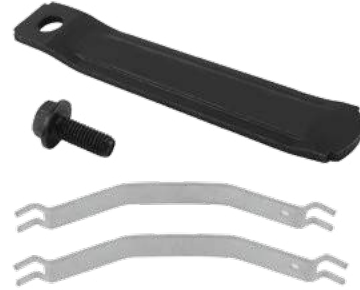
KP 350 0085 >> BALATA TAŞIYICI SAC TAKIMI
PAD RETAINER SET



GEN 1 - GEN 2

94659

KP 350 0086 >> BALATA TAŞIYICI SAC TAKIMI
PAD RETAINER SET



GEN 1 - GEN 2

91216

KP 350 0023 >> BALATA TAŞIYICI SACI
PAD RETAINER



GEN 1 - GEN 2

90673

KP 350 0087 >> BALATA TAŞIYICI SACI
PAD RETAINER



GEN 1 - GEN 2

89924



HALDEX MODUL T

www.hd.com.tr



KP 350 0099 >> KALİPER SET/CALIPER SET



KP 350 0100 >> KALİPER SET/CALIPER SET



KP 350 0101 >> AYAR MEKANİZMASI/ADJUSTING MECHANISM



KP 350 0102 >> KALİPER AYAR CİVATASI/CALIBRATION BOLT



KP 350 0103 >> MEKANİZMA GÖVDESİ / HOUSING





KP 350 0104 ➤ MASURA BİLYA YATAĞI/LEVER



KP 350 0105 ➤ MASURA BİLYA YATAĞI/LEVER



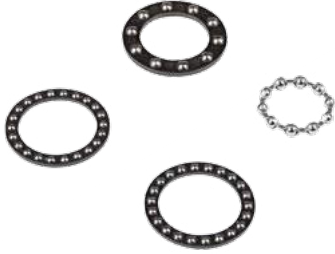
KP 350 0106 ➤ MASURA BİLYA TAKIMI / ROLLER BEARING SET



KP 350 0107 ➤ MASURA BİLYA TAKIMI / ROLLER BEARING SET



KP 350 0108 ➤ MASURA BİLYA TAKIMI / ROLLER BEARING SET



KP 350 0109 ➤ MASURA BİLYA / ROLLER BEARING



KP 350 0110 ➤ MASURA BİLYA YATAK TAKIMI / BEARING SET



KP 350 0111 ➤ DİŞLİ TAKIMI / GEAR SET



KP 350 0112 ➤ TOZ LASTİK AKIMI
DUST RUBBER SET



KP 350 0113 ➤ MEKANİZMA AYAR TAKIMI
ADJUSTING SET



95399



KP 350 0114 >> TOZ LASTİK VE PERNO TAKIMI
CALIPER DUST RUBBER AND
PIN SET



95397

KP 350 0115 >> TAPA TAKIMI/CAP SET



KP 350 0116 >> TAPA TAKIMI/CAP SET



KP 350 0117 >> MEKANİZMA KİLİT TAKIMI / MECHANISM CLUTCH SYSTEM



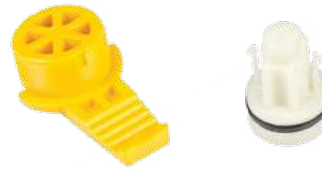
KP 350 0118 >> AYAR DIŞLI TAKIMI / ADJUSTING GEAR SET



KP 350 0119 >> TAPA TAKIMI/CAP SET



KP 350 0120 >> TAPA VE AYAR TAKIMI
CUP ADJUSTING SET



95398

KP 350 0121 >> TOZ LASTİK TAKIMI
CALIPER DUST RUBBER SET



KP 350 0122 >> BALATA TAŞIYICI SAC TAKIMI
PAD RETAINER SET





BPW

www.hd.com.tr





KP 360 0030 > KALİPER SET/CALIPER SET



KP 360 0029 > KALİPER SET/CALIPER SET



KP 360 0001 > KALİPER KAPAĞI SETİ
CALIPER COVER SET



KP 360 0011 > KALİPER MEKANİZMALI KAPAK
CALIPER MECHANISM COVER



KP 360 0013 > KALİPER AYAR CİVATASI
CALIBRATION BOLT



KP 360 0002 >> KALİPER DÜRBÜNÜ / CALIPER BRIDGE ASSEMBLY



KP 360 0031 >> TOZ LASTİK İTİCİ PİSTON TAKIMI
DUST RUBBER TAPPET SET



KP 360 0010 >> TOZ LASTİK İTİCİ PİSTON TAKIMI
DUST RUBBER TAPPET SET



09.801.07.63.0

KP 360 0028 >> TOZ LASTİK İTİCİ PİSTON TAKIMI
DUST RUBBER TAPPET SET



09.801.07.63.1 - 05.801.50.90.0

KP 360 0003 >> BİLYA YATAK TAKIMI
LEVER BEARING SET



KP 360 0019 >> MASURA BİLYA YATAĞI / LEVER



KP 360 0022 >> MASURA BİLYA TAKIMI / ROLLER BEARING SET



KP 360 0023 >> MASURA BİLYA TAKIMI / ROLLER BEARING SET





KP 360 0004 >> MEKANİZMA YATAĞI / MECHANISM LEVER



KP 360 0006 >> MASURA BİLYA YATAĞI / LEVER (W/PIN)



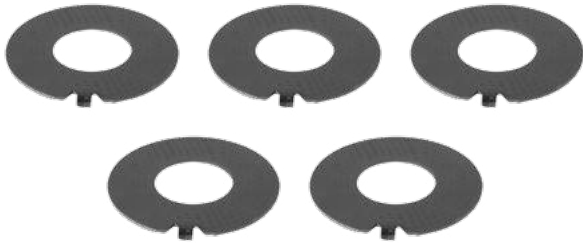
KP 360 0015 >> BİLYA YATAK TAKIMI
BALL BEARING SET



KP 360 0017 >> MEKANİZMA BİLYA YATAĞI
BALL BEARING HOUSING



KP 360 0014 >> AYAR CİVATASI YATAK BURCU
WASHER



KP 360 0018 >> KALİPER BİLYA TAKIMI
BALL BEARING SET



KP 360 0032 >> TAPA TAKIMI
CUP SET



KP 360 0007 >> AYAR MEKANİZMASI
ADJUSTING MECHANISM SHAFT



KP 360 0008 >> SEKMAN TAKIMI
RING SET



KP 360 0009 >> KALİPER PERNO TAKIMI / CALIPER PIN SET



KP 360 0024 >> TOZ LASTİK TAKIMI / DUST RUBBER SET



KP 360 0025 >> KALİPER PERNO TAKIMI / CALIPER PIN SET



KP 360 0026 >> KALİPER PERNO TAKIMI / CALIPER PIN SET



09.801.07.61.0

KP 360 0027 >> KALİPER PERNO TAKIMI / CALIPER PIN SET



09.801.07.62.0

KP 360 0033 >> İPAT TUTUCU VE PERNO TAKIMI
BRAKE PAD RETAINER AND PIN SET



09.801.05.81.0

KP 360 0034 >> İPAT TUTUCU TAKIMI
BRAKE PAD RETAINER SET



09.801.07.68.1

KP 360 0035 >> BALATA YAY TAKIMI (KISA)
PAD SPRING SET (SHORT)

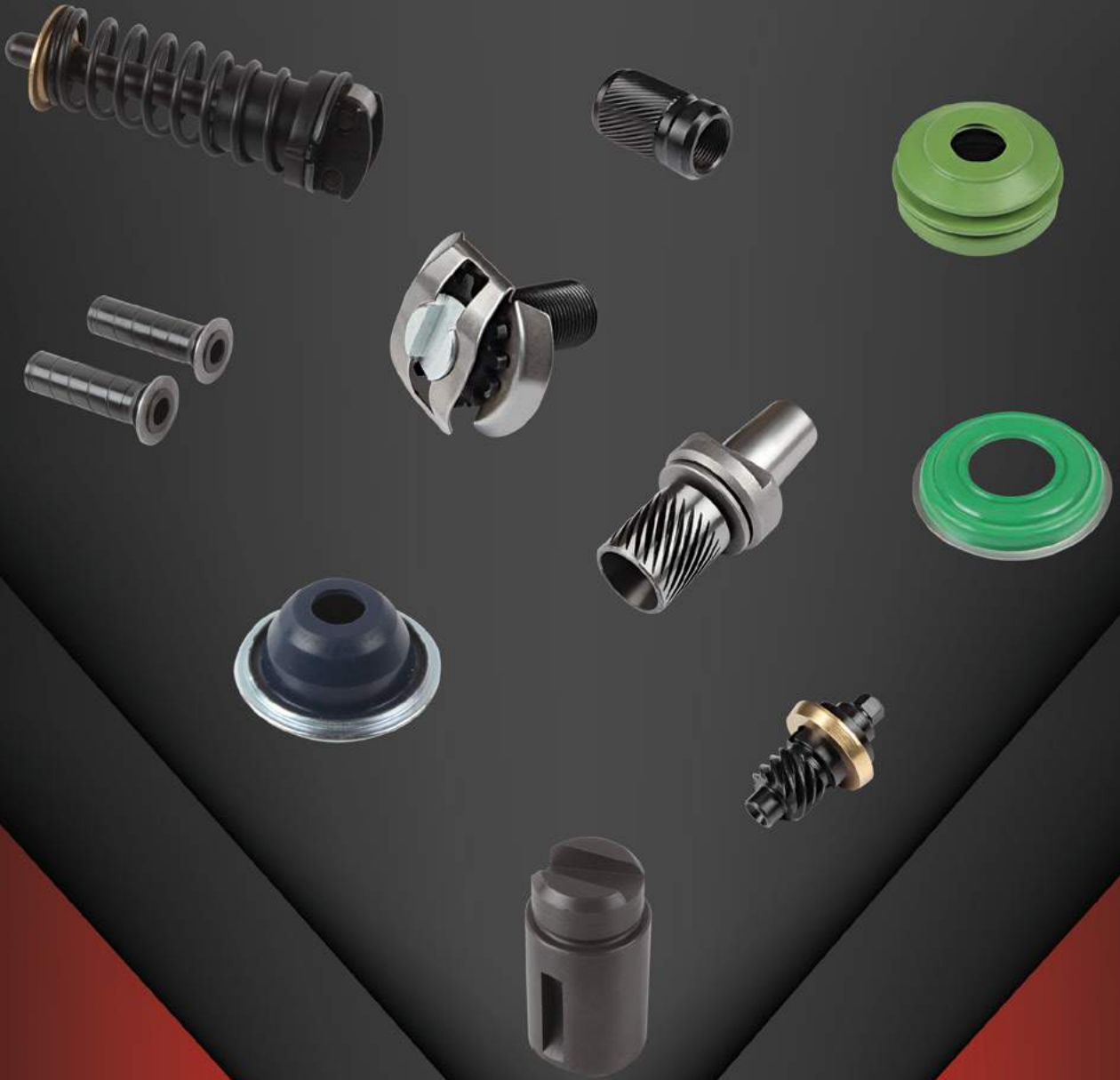


TSB 3709

KP 360 0036 >> BALATA YAY TAKIMI (UZUN)
PAD SPRING SET (LONG)



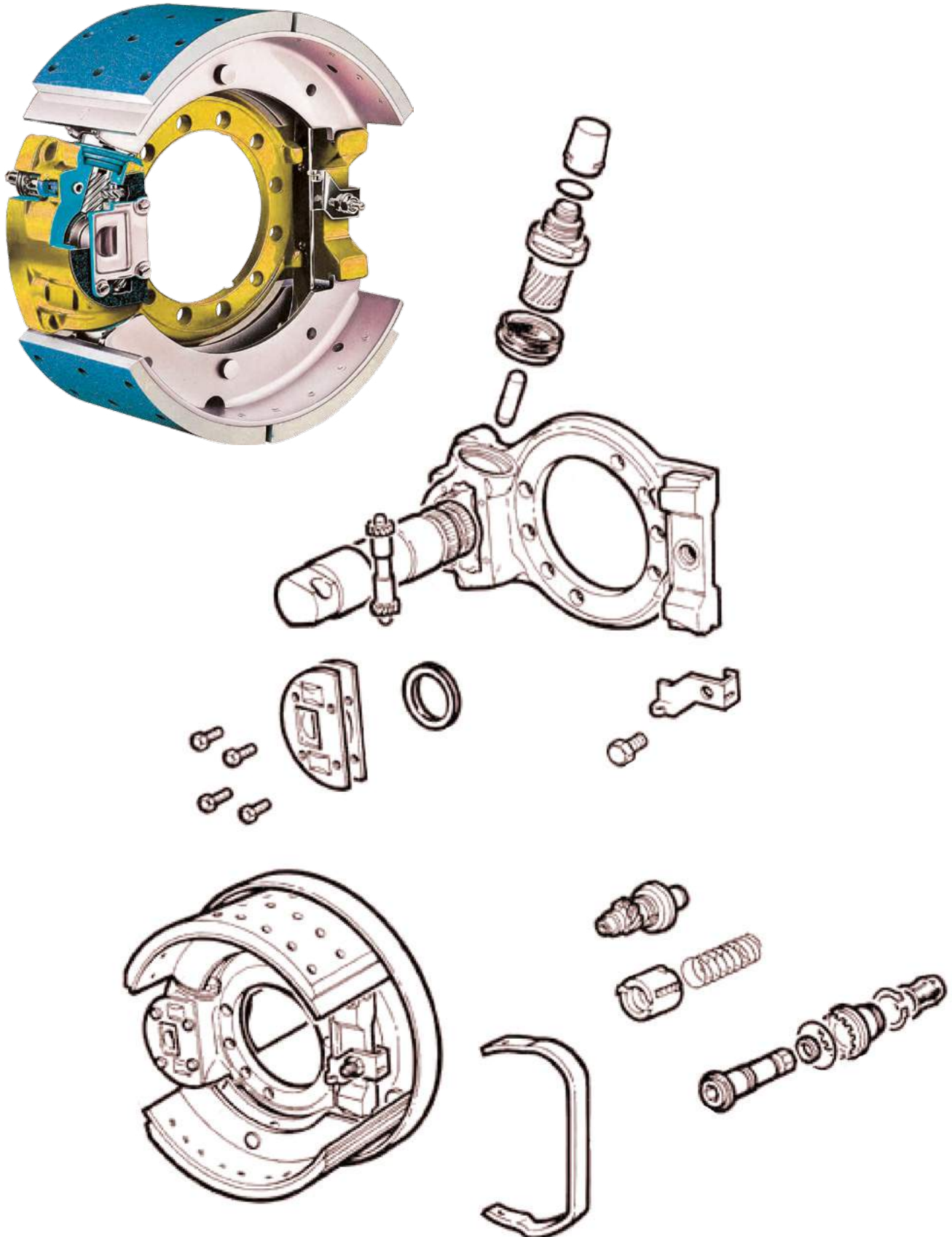
TSB 4309-TSB 4312



Z - CAM - IVECO - HYDRAULIC

www.hd.com.tr

Z-CAM IVECO HYDRAULIC





KP 370 0002 >> AYAR MEKANİZMASI - R
BRAKE ADJUSTING SHAFT - R



272908 - 3097100 - 3098277 - 8550977

KP 370 0003 >> AYAR MEKANİZMASI - L
BRAKE ADJUSTING SHAFT - L



272909 - 3097099 - 3098276 - 8550978

KP 370 0004 >> FREN AYAR PİNYON DİŞLİSİ - R
BRAKE ADJUSTING PINION - R



1081820 - 3090998

KP 370 0005 >> FREN AYAR PİNYON DİŞLİSİ - L
BRAKE ADJUSTING PINION - L



1081819 - 3090997

KP 370 0006 >> FREN AYAR PİNYON DİŞLİSİ - R
BRAKE ADJUSTING PINION - R



1607502

KP 370 0007 >> FREN AYAR PİNYON DİŞLİSİ - L
BRAKE ADJUSTING PINION - L



1606775

KP 370 0008 >> ÇAPRAZ DİŞLİ
COUNTER PINION



272910-1696453

KP 370 0009 >> FREN AYAR PİMİ
BRAKE ADJUSTING PIN



1696445-1698346-3097299

KP 370 0010 >> FREN AYAR PİMİ
BRAKE ADJUSTING PIN



1696446

KP 370 0011 >> FREN AYAR PİNYON TAKIMI - R
BRAKE ADJUSTING PINION SET - R



272907

KP 370 0012 >> FREN AYAR PİNYON TAKIMI - L
BRAKE ADJUSTING PINION SET - L



01 272 017

KP 370 0013 >> FREN AYAR KİLİT TAKIMI
BRAKE ADJUSTER LOCKING PIN SET



01 276 018

KP 370 0014 >> FREN AYAR C YAYI
BRAKE ADJUSTER SPRING



1696444 - 3097092

KP 370 0015 >> FREN AYAR KİLİT TAKIMI
BRAKE ADJUSTER LOCKING PIN SET



01 276 021 - 3090964 - 3098275

KP 370 0016 >> FREN AYAR KİLİT TAKIMI
BRAKE ADJUSTER LOCKING PIN SET



276099

KP 370 0017 >> FREN AYAR KİLİT TAKIMI - R
BRAKE ADJUSTER LOCKING PIN SET - R



276098

KP 370 0018 >> FREN AYAR TOZ LASTİĞİ
BRAKE ADJUSTING DUST COVER



1696448 - 3090954

KP 370 0019 >> FREN AYAR KİLİT TAKIMI - L
BRAKE ADJUSTER LOCKING PIN SET - L



01 276 019

KP 370 0020 >> FREN AYAR PİNYON DİŞLİSİ Y.M. - R
BRAKE ADJUSTING PINION N.M.- R



1696925

KP 370 0021 >> FREN AYAR PİNYON DİŞLİSİ Y.M. - L
BRAKE ADJUSTING PINION N.M.- L



1696924

KP 370 0022 >> FREN AYAR PİNYON DİŞLİSİ E.M. - R
BRAKE ADJUSTING PINION O.M.- R



KP 370 0023 >> FREN AYAR PİNYON DİŞLİSİ E.M. - L
BRAKE ADJUSTING PINION O.M.- L



KP 370 0024 >> FREN AYAR ALÜMİNYUM KAPAK
BRAKE ADJUSTING ALUMINIUM COVER



1696449

KP 370 0025 >> KAPAK CONTA VE KEÇE TAKIMI
BRAKE ADJUSTING GASKET SET



272905 - 3098290

KP 370 0026 >> FREN AYAR PİMİ
BRAKE ADJUSTING PIN



2760965

KP 370 0027 >> MEKANİZMA KAPAĞI
BRAKE ADJUSTING COVER



272904

KP 370 0028 >> ALÜMİNYUM KAPAK CONTASI
BRAKE ADJUSTING COVER
GASKET



1696450

KP 370 0029 >> FREN AYAR TAMİR SETİ
BRAKE ADJUSTING REPAIR KIT



410 SIMPLEX

93161622 - 93162114

KP 370 0030 >> FREN AYAR TAMİR SETİ
BRAKE ADJUSTING REPAIR KIT



410 SIMPLEX

KP 370 0031 >> FREN AYAR TOZ LASTİK TAKIMI
BRAKE ADJUSTING DUST RUBBER SET



410 SIMPLEX - DUPLEX

KP 370 0032 >> FREN AYAR KAMA TAKIMI
BRAKE WEDGE SET



410 SIMPLEX

32 931 011 - 42536194

KP 370 0033 >> FREN AYAR PİSTON TAKIMI
BRAKE ADJUSTING HOLDER SET



410 SIMPLEX

93161623

KP 370 0034 >> FREN AYAR YAY TAKIMI
BRAKE ADJUSTING RETURN SPRING SET



93161627

KP 370 0035 >> FREN AYAR YAYI
BRAKE ADJUSTING RETURN SPRING



93161260



KP 370 0036 >> FREN AYAR TAMİR SETİ
BRAKE ADJUSTING REPAIR KIT



410 DUPLEX

42536197

KP 370 0037 >> FREN AYAR TAMİR SETİ
BRAKE ADJUSTING REPAIR KIT



410 DUPLEX

2996557

KP 370 0038 >> FREN AYAR PİSTON TAKIMI
BRAKE ADJUSTING HOLDER SET



410 DUPLEX

42536195

KP 370 0039 >> FREN AYAR TOZ LASTİK TAKIMI
BRAKE ADJUSTING DUST RUBBER SET



410 DUPLEX

KP 370 0040 >> FREN AYAR PİSTON TAKIMI - R
BRAKE ADJUSTING HOLDER SET - R



410 DUPLEX

42537365

KP 370 0041 >> FREN AYAR PİSTON TAKIMI - L
BRAKE ADJUSTING HOLDER SET - L



410 DUPLEX

42537366

KP 370 0042 >> FREN AYAR TAMİR SETİ
BRAKE ADJUSTING REPAIR SET



360 PERROT

KP 370 0043 >> FREN AYAR TOZ LASTİK VE CİVATA TAKIMI
BRAKE SCREW AND BOOT SET



360 PERROT

93161254

KP 370 0044 >> FREN AYAR KAMA VE PİSTON TAKIMI
BRAKE PLUNGER & WEDGE SET



360 PERROT

93161267

KP 370 0045 >> FREN AYAR PİSTON TAKIMI
BRAKE ADJUSTING PLUNGER SET



360 PERROT

8124815

KP 010 0001 >> GRES YAĞI / GREASE





KP 370 0046 >> FREN AYAR TAMİR SETİ
BRAKE ADJUSTING REPAIR KIT



410 PERROT

93161256

KP 370 0047 >> FREN AYAR TAMİR SETİ
BRAKE ADJUSTING REPAIR KIT



410 PERROT

93161257

KP 370 0048 >> FREN AYAR CİVATASI
BRAKE ADJUSTING BOLT



410 PERROT

KP 370 0049 >> FREN AYAR KAMA VE PİSTON TAKIMI
BRAKE HOLDER & WEDGE SET



410 PERROT

93161768

KP 370 0050 >> FREN AYAR KAMASI
BRAKE WEDGE



410 PERROT

KP 370 0051 >> FREN AYAR SETİ
BRAKE ADJUSTING SET



394/381 DUPLEX

42491950

KP 370 0052 >> FREN AYAR PİSTON TAKIMI - R
BRAKE ANCHOR PLUNGER SET - R



394/381 DUPLEX

7980406

KP 370 0053 >> FREN AYAR PİSTON TAKIMI - L
BRAKE ANCHOR PLUNGER SET - L



394/381 DUPLEX

7980405

KP 370 0054 >> FREN AYAR PİSTON TAKIMI
BRAKE ADJUSTING HOLDER SET



394/381 DUPLEX

42491974

KP 370 0055 >> FREN AYAR KAMA TAKIMI
BRAKE ADJUSTING WEDGE SET



394/381 DUPLEX

7980407

KP 370 0056 >> FREN AYAR KAMASI
BRAKE ADJUSTING WEDGE



394/381 DUPLEX

KP 010 0001 >> GRES YAĞI / GREASE





KP 370 0057 >> FREN AYAR TOZ LASTİK TAKIMI
BRAKE ADJUSTING DUST RUBBER SET



394/381 DUPLEX

7980408

KP 370 0058 >> FREN AYAR CİVATA TAKIMI
BRAKE ADJUSTING BOLT SET



394/381 DUPLEX

92480059

KP 370 0059 >> YAYLI MANDAL
BRAKE HOLD-DOWN CLIP



394/381 DUPLEX

42488484

KP 370 0060 >> KÖRÜK BOĞAZ SOMUNU KISA
BRAKE COLLET NUT - SHORT



394/381 DUPLEX

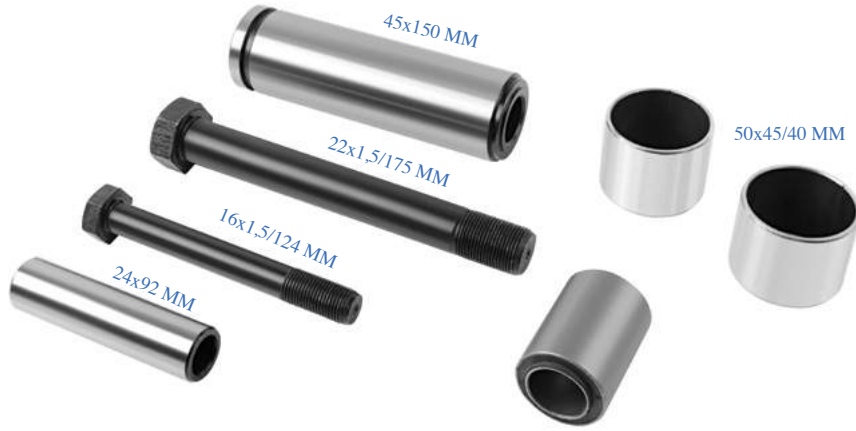
KP 370 0061 >> KÖRÜK BOĞAZ SOMUNU UZUN
BRAKE COLLET NUT - LONG



394/381 DUPLEX



KP 370 0062 >> PERNO TAMİR TAKIMI
CALIPER PIN SET



381.391 - 93161189

KP 370 0063 >> TOZ LASTİK TAKIMI
DUST RUBBER SET



381.413 - 93161192



KP 370 0064 >> PERNO TAMİR TAKIMI
CALIPER PIN SET

Ø 60 REAR



SJ1034

KP 370 0065 >> PERNO TAMİR TAKIMI
CALIPER PIN SET

Ø 60 FRONT

KP 370 0066 >> PERNO TAMİR TAKIMI
CALIPER PIN SET



IVECO TYPE

SJ1035 - ST1153

ST1154

KP 370 0067 >> PERNO TAMİR TAKIMI
CALIPER PIN SET

Ø 68 REAR



SJ1022

KP 370 0068 >> PERNO TAMİR TAKIMI
CALIPER PIN SET

Ø 58 FRONT - Ø 68 FRONT - Ø 58 REAR - Ø 68 REAR



SP8565

KP 370 0069 >> PERNO TAMİR TAKIMI
CALIPER PIN SET

Ø 60 FRONT



MERCEDES TYPE

SP8902



KP 370 0070 >>

KALİPER TOZ LASTİK VE KEÇE TAKIMI
CALIPER BOOT & SEAL REPAIR SET



SJ1030

KP 370 0071 >>

KALİPER TOZ LASTİK VE KEÇE TAKIMI
CALIPER BOOT & SEAL REPAIR SET

Ø 60 FRONT



SJ1037

KP 370 0072 >>

KALİPER TOZ LASTİK VE KEÇE TAKIMI
CALIPER BOOT & SEAL REPAIR SET

Ø 60 FRONT



SP8597

KP 370 0073 >>

KALİPER TOZ LASTİK VE KEÇE TAKIMI
CALIPER BOOT & SEAL REPAIR SET

Ø 58 REAR



SP9669

KP 370 0074 >>

KALİPER TOZ LASTİK VE KEÇE TAKIMI
CALIPER BOOT & SEAL REPAIR SET

Ø 58 FRONT



SP8567



KP 370 0075 >>

KALİPER TOZ LASTİK VE KEÇE TAKIMI
CALIPER BOOT & SEAL REPAIR SET

Ø 68 REAR



SP9670

KP 370 0076 >>

KALİPER TOZ LASTİK VE KEÇE TAKIMI
CALIPER BOOT & SEAL REPAIR SET

Ø 68 REAR



SJ1033

KP 370 0077 >>

KALİPER TOZ LASTİK VE KEÇE TAKIMI
CALIPER BOOT & SEAL REPAIR SET

Ø 68 FRONT



SP8564

KP 370 0078 >>

KALİPER TOZ LASTİK TAKIMI
CALIPER DUST RUBBER SET



SP8566



KP 370 0079 >> KALİPER PERNO TAMİR TAKIMI
CALİPER PIN REPAIR SET

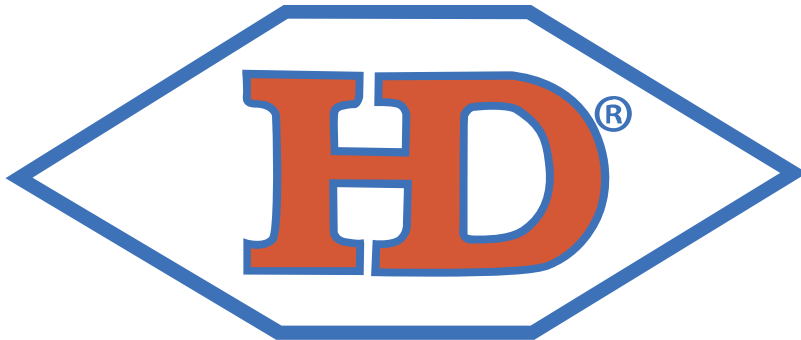


000 421 0850

KP 370 0080 >> KALİPER PERNO TAMİR TAKIMI
CALİPER PIN REPAIR SET



000 423 0663



www.hd.com.tr



HD REFERENCE CROSS LIST

HD NO	BRAND	PAGE	HD NO	BRAND	PAGE	HD NO	BRAND	PAGE
MERCEDES-BENZ			4002	Mercedes	18	5242-2	Mercedes	2
1002	Mercedes	33	4003	Mercedes	66	5242-3	Mercedes	2
1002-F	Mercedes	34	4004	Mercedes	11	5244	Mercedes	53
1002-Fx	Mercedes	34	4005	Mercedes	11	5245	Mercedes	20
1002-T	Mercedes	34	4008	Mercedes	35	5250	Mercedes	9
1003	Mercedes	9	4009	Mercedes	34	5251	Mercedes	3
1004	Mercedes	9	4010	Mercedes	34	5252	Mercedes	3
1005	Mercedes	20	4011	Mercedes	34	5262	Mercedes	13
1006	Mercedes	21	4012	Mercedes	34	5263	Mercedes	13
1007	Mercedes	19	4013	Mercedes	34	5264	Mercedes	38
1008	Mercedes	19	4014	Mercedes	39	5264-1	Mercedes	37
1009	Mercedes	19	4020	Mercedes	11	5265	Mercedes	21
1010	Mercedes	21	4021	Mercedes	11	5266	Mercedes	51
1011	Mercedes	37	4022	Mercedes	20	5267	Mercedes	53
1012	Mercedes	38	5200	Mercedes	10	5268	Mercedes	24
1013	Mercedes	37	5201	Mercedes	10	5270-1	Mercedes	3
1014	Mercedes	36	5202	Mercedes	13	5270-2	Mercedes	4
1015	Mercedes	27	5203	Mercedes	68	5270-3	Mercedes	4
1016	Mercedes	27	5204	Mercedes	68	5270-4	Mercedes	4
1016-F	Mercedes	27	5205	Mercedes	18	5270-5	Mercedes	4
1017	Mercedes	30	5206	Mercedes	24	5270-6	Mercedes	4
1018	Mercedes	37	5206-1	Mercedes	23	5270-7	Mercedes	4
1020	Mercedes	38	5206-2	Mercedes	23	5270-8	Mercedes	4
1021	Mercedes	38	5207	Mercedes	23	5270-9	Mercedes	4
1036	Mercedes	39	5208	Mercedes	18	5271	Mercedes	14
1037	Mercedes	9	5209	Mercedes	2	5272	Mercedes	13
1041	Mercedes	19	5209-1	Mercedes	2	5273	Mercedes	26
1042	Mercedes	21	5209-2	Mercedes	2	5274	Mercedes	26
1043	Mercedes	7	5212	Mercedes	10	5274-1	Mercedes	26
1048	Mercedes	8	5213	Mercedes	21	5275	Mercedes	51
1049	Mercedes	20	5214	Mercedes	21	5276	Mercedes	54
1050	Mercedes	37	5215	Mercedes	12	5277-L	Mercedes	7
1051	Mercedes	8	5216	Mercedes	12	5277-R	Mercedes	7
1052	Mercedes	8	5217	Mercedes	9	5278	Mercedes	49
1053	Mercedes	8	5218	Mercedes	9	5279-1	Mercedes	6
1054	Mercedes	8	5219	Mercedes	22	5279-2	Mercedes	6
1055	Mercedes	33	5220	Mercedes	11	5279-3	Mercedes	7
3065	Mercedes	35	5221	Mercedes	23	5279-4	Mercedes	7
3067	Mercedes	22	5221-1	Mercedes	23	5279-5	Mercedes	7
3068	Mercedes	22	5222	Mercedes	22	5280	Mercedes	5
3069	Mercedes	23	5224	Mercedes	3	5281	Mercedes	53
3071	Mercedes	65	5224-1	Mercedes	3	5282	Mercedes	49
3071-35	Mercedes	65	5224-2	Mercedes	3	5283	Mercedes	28
3072	Mercedes	39	5225	Mercedes	19	5284	Mercedes	28
3073	Mercedes	31	5226	Mercedes	19	5285	Mercedes	44
3074	Mercedes	36	5227	Mercedes	18	5286	Mercedes	10
3075	Mercedes	33	5228	Mercedes	3	5288	Mercedes	53
3080	Mercedes	8	5229	Mercedes	19	5289	Mercedes	51
3081	Mercedes	8	5230	Mercedes	67	5290	Mercedes	52
3082	Mercedes	9	5233	Mercedes	3	5291	Mercedes	52
3084	Mercedes	12	5233-1	Mercedes	2	5292	Mercedes	52
3085	Mercedes	12	5234	Mercedes	10	5293	Mercedes	52
3087	Mercedes	10	5235	Mercedes	12	5294	Mercedes	52
3088	Mercedes	20	5236	Mercedes	19	5295	Mercedes	54
3089	Mercedes	27	5237	Mercedes	6	5296	Mercedes	53
3090	Mercedes	27	5238	Mercedes	8	5297	Mercedes	39
3091	Mercedes	36	5239	Mercedes	23	5298	Mercedes	44
3094	Mercedes	18	5240	Mercedes	43	5299	Mercedes	44
3095	Mercedes	38	5241	Mercedes	68	5300	Mercedes	30
4001	Mercedes	37	5242	Mercedes	2	5301	Mercedes	44
			5242-1	Mercedes	2	5302	Mercedes	45



HD REFERENCE CROSS LIST

HD NO	BRAND	PAGE	HD NO	BRAND	PAGE	HD NO	BRAND	PAGE
5303	Mercedes	39	5360	Mercedes	12	5423	Mercedes	30
5304	Mercedes	39	5361	Mercedes	33	5424	Mercedes	44
5305	Mercedes	40	5362	Mercedes	31	5425	Mercedes	55
5306	Mercedes	40	5363	Mercedes	41	5426	Mercedes	56
5307	Mercedes	43	5364	Mercedes	42	5427	Mercedes	54
5308	Mercedes	28	5365	Mercedes	41	5428	Mercedes	26
5309	Mercedes	45	5366	Mercedes	41	5429	Mercedes	57
5310	Mercedes	40	5367	Mercedes	42	5431	Mercedes	57
5310-1	Mercedes	40	5368	Mercedes	42	5432	Mercedes	57
5311	Mercedes	51	5369	Mercedes	43	5433	Mercedes	57
5312	Mercedes	45	5370	Mercedes	43	5434	Mercedes	57
5313	Mercedes	42	5371	Mercedes	62	5435	Mercedes	58
5315	Mercedes	45	5372	Mercedes	66	5436	Mercedes	57
5316	Mercedes	49	5374	Mercedes	66	5437	Mercedes	55
5317	Mercedes	50	5374-1	Mercedes	66	5438	Mercedes	55
5318	Mercedes	41	5375	Mercedes	66	5439	Mercedes	57
5318-1	Mercedes	41	5376	Mercedes	65	5440	Mercedes	29
5319	Mercedes	41	5377	Mercedes	65	5441	Mercedes	59
5320	Mercedes	50	5379	Mercedes	65	5443	Mercedes	60
5321	Mercedes	49	5380	Mercedes	55	5444	Mercedes	59
5322	Mercedes	46	5381	Mercedes	52	5447	Mercedes	60
5323	Mercedes	67	5382	Mercedes	28	5448	Mercedes	59
5324	Mercedes	39	5383	Mercedes	37	5449	Mercedes	31
5325	Mercedes	27	5384	Mercedes	40	5450	Mercedes	39
5326	Mercedes	24	5385	Mercedes	50	5451	Mercedes	24
5327	Mercedes	52	5386	Mercedes	46	5452	Mercedes	33
5328	Mercedes	38	5387	Mercedes	24	5453	Mercedes	33
5329	Mercedes	38	5388	Mercedes	50	5454	Mercedes	28
5230-55	Mercedes	66	5389	Mercedes	46	5455	Mercedes	55
5230-60	Mercedes	67	5390	Mercedes	35	5456	Mercedes	58
5230-70	Mercedes	67	5391	Mercedes	55	5457	Mercedes	57
5331	Mercedes	49	5392	Mercedes	63	5463	Mercedes	59
5332	Mercedes	50	5393	Mercedes	28	5464	Mercedes	58
5333	Mercedes	50	5394	Mercedes	25	5467	Mercedes	56
5334	Mercedes	26	5395	Mercedes	28	5468	Mercedes	56
5234-L	Mercedes	10	5396	Mercedes	35	5469	Mercedes	56
5234-R	Mercedes	10	5397	Mercedes	52	5470	Mercedes	56
5335	Mercedes	26	5398	Mercedes	28	5471	Mercedes	60
5336	Mercedes	26	5399	Mercedes	23	5472	Mercedes	56
5337	Mercedes	40	5400	Mercedes	31	5473	Mercedes	58
5338	Mercedes	24	5401	Mercedes	46	5474	Mercedes	47
5339	Mercedes	35	5402	Mercedes	12	5475	Mercedes	54
5340	Mercedes	49	5403	Mercedes	45	5477	Mercedes	63
5342	Mercedes	24	5404	Mercedes	62	5478	Mercedes	63
5343	Mercedes	46	5405	Mercedes	67	5479	Mercedes	64
5344	Mercedes	36	5406	Mercedes	22	5480	Mercedes	64
5345	Mercedes	21	5407	Mercedes	56	5481	Mercedes	63
5346	Mercedes	43	5408	Mercedes	51	5482	Mercedes	63
5347	Mercedes	45	5409	Mercedes	49	5483	Mercedes	30
5348	Mercedes	54	5410	Mercedes	64	5484	Mercedes	32
5349	Mercedes	43	5411	Mercedes	53	5485	Mercedes	20
5350	Mercedes	67	5412	Mercedes	47	5486	Mercedes	16
5351	Mercedes	44	5413	Mercedes	20	5487	Mercedes	16
5352	Mercedes	11	5414	Mercedes	64	5488	Mercedes	16
5353	Mercedes	9	5415	Mercedes	47	5489	Mercedes	16
5354	Mercedes	46	5416	Mercedes	46	5490	Mercedes	16
5355	Mercedes	46	5417	Mercedes	67	5491	Mercedes	17
5356	Mercedes	25	5418	Mercedes	67	5493	Mercedes	17
5357	Mercedes	25	5419	Mercedes	56	5494	Mercedes	17
5358	Mercedes	48	5420	Mercedes	22	5495	Mercedes	15
5359	Mercedes	41	5422	Mercedes	30	5496	Mercedes	15



HD REFERENCE CROSS LIST

HD NO	BRAND	PAGE	HD NO	BRAND	PAGE	HD NO	BRAND	PAGE
5497	Mercedes	15	5570	Mercedes	53	5637	Mercedes	63
5498	Mercedes	15	5572	Mercedes	36	5638	Mercedes	48
5499	Mercedes	16	5573	Mercedes	63	5642	Mercedes	71
5500	Mercedes	16	5574	Mercedes	60	5643	Mercedes	13
5503	Mercedes	17	5576	Mercedes	45	5644	Mercedes	62
5506	Mercedes	17	5578	Mercedes	58	5645	Mercedes	29
5512	Mercedes	16	5579	Mercedes	58	5646	Mercedes	48
5515	Mercedes	17	5580	Mercedes	60	5647	Mercedes	54
5518	Mercedes	18	5581	Mercedes	51	5648	Mercedes	43
5520	Mercedes	18	5582	Mercedes	42	5649	Mercedes	42
5521	Mercedes	17	5583	Mercedes	64	5650	Mercedes	48
5522	Mercedes	20	5584	Mercedes	43	5652	Mercedes	6
5523	Mercedes	36	5585	Mercedes	32	5653	Mercedes	11
5524	Mercedes	36	5586	Mercedes	6	5654	Mercedes	31
5525	Mercedes	62	5587	Mercedes	26	5656	Mercedes	25
5526	Mercedes	63	5588	Mercedes	47	5657	Mercedes	33
5527	Mercedes	58	5589	Mercedes	62	5658	Mercedes	44
5528	Mercedes	60	5590	Mercedes	6	5659	Mercedes	50
5530	Mercedes	49	5591	Mercedes	6	5660	Mercedes	55
5531	Mercedes	14	5592	Mercedes	38	5661	Mercedes	24
5532	Mercedes	15	5593	Mercedes	27	5666	Mercedes	36
5533	Mercedes	15	5594	Mercedes	65	5667	Mercedes	31
5534	Mercedes	14	5595	Mercedes	19	5668	Mercedes	32
5535	Mercedes	14	5596	Mercedes	65	5670	Mercedes	33
5536	Mercedes	14	5597	Mercedes	41	5672	Mercedes	29
5537	Mercedes	14	5598	Mercedes	50	5673	Mercedes	30
5538	Mercedes	15	5599	Mercedes	47	5674	Mercedes	5
5539	Mercedes	17	5601	Mercedes	48	5676	Mercedes	40
5540	Mercedes	29	5602	Mercedes	40	5678	Mercedes	29
5541	Mercedes	51	5603	Mercedes	48	5679	Mercedes	6
5542	Mercedes	54	5604	Mercedes	48	5680	Mercedes	7
5543	Mercedes	35	5605	Mercedes	48	5681	Mercedes	7
5544	Mercedes	25	5606	Mercedes	51	5682	Mercedes	65
5545	Mercedes	47	5608	Mercedes	66	5684	Mercedes	25
5546	Mercedes	60	5609	Mercedes	25	5685	Mercedes	45
5547	Mercedes	35	5610	Mercedes	13	5686	Mercedes	12
5549	Mercedes	32	5611	Mercedes	42	03 030 0013	Mercedes	69
5550	Mercedes	71	5612	Mercedes	54	03 131 0034	Mercedes	70
5551	Mercedes	22	5613	Mercedes	25	03 356 0001	Mercedes	71
5552	Mercedes	32	5615	Mercedes	44	03 413 0003	Mercedes	68
5553	Mercedes	32	5616	Mercedes	53	03 413 0004	Mercedes	68
5554	Mercedes	32	5617	Mercedes	29	03 413 0005	Mercedes	69
5555	Mercedes	30	5618	Mercedes	61	03 413 0006	Mercedes	69
5556	Mercedes	64	5619	Mercedes	60	03 413 0009	Mercedes	68
5557	Mercedes	29	5620	Mercedes	61	03 413 0010	Mercedes	68
5558	Mercedes	30	5621	Mercedes	61	03 413 0011	Mercedes	68
5559	Mercedes	31	5622	Mercedes	61	03 413 0012	Mercedes	69
5560	Mercedes	31	5623	Mercedes	61	04 010 0035	Mercedes	70
5561	Mercedes	35	5624	Mercedes	61	04 030 0009	Mercedes	69
5562	Mercedes	47	5625	Mercedes	62	04 030 0044	Mercedes	69
5563-1	Mercedes	5	5626	Mercedes	61	04 180 0009	Mercedes	14
5563-2	Mercedes	5	5627	Mercedes	61	04 180 0010	Mercedes	14
5563-3	Mercedes	5	5628	Mercedes	62	04 180 0031	Mercedes	70
5563-4	Mercedes	5	5629	Mercedes	62	04 180 0033	Mercedes	70
5563-5	Mercedes	5	5630	Mercedes	59	04 188 0014	Mercedes	14
5563-6	Mercedes	5	5631	Mercedes	59	04 200 0075	Mercedes	19
5564	Mercedes	55	5632	Mercedes	42	04 200 0076	Mercedes	19
5565	Mercedes	29	5633	Mercedes	64	04 312 0001	Mercedes	18
5566	Mercedes	32	5634	Mercedes	27	04 356 0001	Mercedes	71
5567	Mercedes	29	5635	Mercedes	22	04 356 0002	Mercedes	71
5568	Mercedes	47	5636	Mercedes	64	04 413 0001	Mercedes	69



HD REFERENCE CROSS LIST

HD NO	BRAND	PAGE	HD NO	BRAND	PAGE	HD NO	BRAND	PAGE
5303	Mercedes	39	5360	Mercedes	12	5423	Mercedes	30
5304	Mercedes	39	5361	Mercedes	33	5424	Mercedes	44
5305	Mercedes	40	5362	Mercedes	31	5425	Mercedes	55
5306	Mercedes	40	5363	Mercedes	41	5426	Mercedes	56
5307	Mercedes	43	5364	Mercedes	42	5427	Mercedes	54
5308	Mercedes	28	5365	Mercedes	41	5428	Mercedes	26
5309	Mercedes	45	5366	Mercedes	41	5429	Mercedes	57
5310	Mercedes	40	5367	Mercedes	42	5431	Mercedes	57
5310-1	Mercedes	40	5368	Mercedes	42	5432	Mercedes	57
5311	Mercedes	51	5369	Mercedes	43	5433	Mercedes	57
5312	Mercedes	45	5370	Mercedes	43	5434	Mercedes	57
5313	Mercedes	42	5371	Mercedes	62	5435	Mercedes	58
5315	Mercedes	45	5372	Mercedes	66	5436	Mercedes	57
5316	Mercedes	49	5374	Mercedes	66	5437	Mercedes	55
5317	Mercedes	50	5374-1	Mercedes	66	5438	Mercedes	55
5318	Mercedes	41	5375	Mercedes	66	5439	Mercedes	57
5318-1	Mercedes	41	5376	Mercedes	65	5440	Mercedes	29
5319	Mercedes	41	5377	Mercedes	65	5441	Mercedes	59
5320	Mercedes	50	5379	Mercedes	65	5443	Mercedes	60
5321	Mercedes	49	5380	Mercedes	55	5444	Mercedes	59
5322	Mercedes	46	5381	Mercedes	52	5447	Mercedes	60
5323	Mercedes	67	5382	Mercedes	28	5448	Mercedes	59
5324	Mercedes	39	5383	Mercedes	37	5449	Mercedes	31
5325	Mercedes	27	5384	Mercedes	40	5450	Mercedes	39
5326	Mercedes	24	5385	Mercedes	50	5451	Mercedes	24
5327	Mercedes	52	5386	Mercedes	46	5452	Mercedes	33
5328	Mercedes	38	5387	Mercedes	24	5453	Mercedes	33
5329	Mercedes	38	5388	Mercedes	50	5454	Mercedes	28
5230-55	Mercedes	66	5389	Mercedes	46	5455	Mercedes	55
5230-60	Mercedes	67	5390	Mercedes	35	5456	Mercedes	58
5230-70	Mercedes	67	5391	Mercedes	55	5457	Mercedes	57
5331	Mercedes	49	5392	Mercedes	63	5463	Mercedes	59
5332	Mercedes	50	5393	Mercedes	28	5464	Mercedes	58
5333	Mercedes	50	5394	Mercedes	25	5467	Mercedes	56
5334	Mercedes	26	5395	Mercedes	28	5468	Mercedes	56
5234-L	Mercedes	10	5396	Mercedes	35	5469	Mercedes	56
5234-R	Mercedes	10	5397	Mercedes	52	5470	Mercedes	56
5335	Mercedes	26	5398	Mercedes	28	5471	Mercedes	60
5336	Mercedes	26	5399	Mercedes	23	5472	Mercedes	56
5337	Mercedes	40	5400	Mercedes	31	5473	Mercedes	58
5338	Mercedes	24	5401	Mercedes	46	5474	Mercedes	47
5339	Mercedes	35	5402	Mercedes	12	5475	Mercedes	54
5340	Mercedes	49	5403	Mercedes	45	5477	Mercedes	63
5342	Mercedes	24	5404	Mercedes	62	5478	Mercedes	63
5343	Mercedes	46	5405	Mercedes	67	5479	Mercedes	64
5344	Mercedes	36	5406	Mercedes	22	5480	Mercedes	64
5345	Mercedes	21	5407	Mercedes	56	5481	Mercedes	63
5346	Mercedes	43	5408	Mercedes	51	5482	Mercedes	63
5347	Mercedes	45	5409	Mercedes	49	5483	Mercedes	30
5348	Mercedes	54	5410	Mercedes	64	5484	Mercedes	32
5349	Mercedes	43	5411	Mercedes	53	5485	Mercedes	20
5350	Mercedes	67	5412	Mercedes	47	5486	Mercedes	16
5351	Mercedes	44	5413	Mercedes	20	5487	Mercedes	16
5352	Mercedes	11	5414	Mercedes	64	5488	Mercedes	16
5353	Mercedes	9	5415	Mercedes	47	5489	Mercedes	16
5354	Mercedes	46	5416	Mercedes	46	5490	Mercedes	16
5355	Mercedes	46	5417	Mercedes	67	5491	Mercedes	17
5356	Mercedes	25	5418	Mercedes	67	5493	Mercedes	17
5357	Mercedes	25	5419	Mercedes	56	5494	Mercedes	17
5358	Mercedes	48	5420	Mercedes	22	5495	Mercedes	15
5359	Mercedes	41	5422	Mercedes	30	5496	Mercedes	15



HD REFERENCE CROSS LIST

HD NO	BRAND	PAGE	HD NO	BRAND	PAGE	HD NO	BRAND	PAGE
5497	Mercedes	15	5570	Mercedes	53	5637	Mercedes	63
5498	Mercedes	15	5572	Mercedes	36	5638	Mercedes	48
5499	Mercedes	16	5573	Mercedes	63	5642	Mercedes	71
5500	Mercedes	16	5574	Mercedes	60	5643	Mercedes	13
5503	Mercedes	17	5576	Mercedes	45	5644	Mercedes	62
5506	Mercedes	17	5578	Mercedes	58	5645	Mercedes	29
5512	Mercedes	16	5579	Mercedes	58	5646	Mercedes	48
5515	Mercedes	17	5580	Mercedes	60	5647	Mercedes	54
5518	Mercedes	18	5581	Mercedes	51	5648	Mercedes	43
5520	Mercedes	18	5582	Mercedes	42	5649	Mercedes	42
5521	Mercedes	17	5583	Mercedes	64	5650	Mercedes	48
5522	Mercedes	20	5584	Mercedes	43	5652	Mercedes	6
5523	Mercedes	36	5585	Mercedes	32	5653	Mercedes	11
5524	Mercedes	36	5586	Mercedes	6	5654	Mercedes	31
5525	Mercedes	62	5587	Mercedes	26	5656	Mercedes	25
5526	Mercedes	63	5588	Mercedes	47	5657	Mercedes	33
5527	Mercedes	58	5589	Mercedes	62	5658	Mercedes	44
5528	Mercedes	60	5590	Mercedes	6	5659	Mercedes	50
5530	Mercedes	49	5591	Mercedes	6	5660	Mercedes	55
5531	Mercedes	14	5592	Mercedes	38	5661	Mercedes	24
5532	Mercedes	15	5593	Mercedes	27	5666	Mercedes	36
5533	Mercedes	15	5594	Mercedes	65	5667	Mercedes	31
5534	Mercedes	14	5595	Mercedes	19	5668	Mercedes	32
5535	Mercedes	14	5596	Mercedes	65	5670	Mercedes	33
5536	Mercedes	14	5597	Mercedes	41	5672	Mercedes	29
5537	Mercedes	14	5598	Mercedes	50	5673	Mercedes	30
5538	Mercedes	15	5599	Mercedes	47	5674	Mercedes	5
5539	Mercedes	17	5601	Mercedes	48	5676	Mercedes	40
5540	Mercedes	29	5602	Mercedes	40	5678	Mercedes	29
5541	Mercedes	51	5603	Mercedes	48	5679	Mercedes	6
5542	Mercedes	54	5604	Mercedes	48	5680	Mercedes	7
5543	Mercedes	35	5605	Mercedes	48	5681	Mercedes	7
5544	Mercedes	25	5606	Mercedes	51	5682	Mercedes	65
5545	Mercedes	47	5608	Mercedes	66	5684	Mercedes	25
5546	Mercedes	60	5609	Mercedes	25	5685	Mercedes	45
5547	Mercedes	35	5610	Mercedes	13	5686	Mercedes	12
5549	Mercedes	32	5611	Mercedes	42	03 030 0013	Mercedes	69
5550	Mercedes	71	5612	Mercedes	54	03 131 0034	Mercedes	70
5551	Mercedes	22	5613	Mercedes	25	03 356 0001	Mercedes	71
5552	Mercedes	32	5615	Mercedes	44	03 413 0003	Mercedes	68
5553	Mercedes	32	5616	Mercedes	53	03 413 0004	Mercedes	68
5554	Mercedes	32	5617	Mercedes	29	03 413 0005	Mercedes	69
5555	Mercedes	30	5618	Mercedes	61	03 413 0006	Mercedes	69
5556	Mercedes	64	5619	Mercedes	60	03 413 0009	Mercedes	68
5557	Mercedes	29	5620	Mercedes	61	03 413 0010	Mercedes	68
5558	Mercedes	30	5621	Mercedes	61	03 413 0011	Mercedes	68
5559	Mercedes	31	5622	Mercedes	61	03 413 0012	Mercedes	69
5560	Mercedes	31	5623	Mercedes	61	04 010 0035	Mercedes	70
5561	Mercedes	35	5624	Mercedes	61	04 030 0009	Mercedes	69
5562	Mercedes	47	5625	Mercedes	62	04 030 0044	Mercedes	69
5563-1	Mercedes	5	5626	Mercedes	61	04 180 0009	Mercedes	14
5563-2	Mercedes	5	5627	Mercedes	61	04 180 0010	Mercedes	14
5563-3	Mercedes	5	5628	Mercedes	62	04 180 0031	Mercedes	70
5563-4	Mercedes	5	5629	Mercedes	62	04 180 0033	Mercedes	70
5563-5	Mercedes	5	5630	Mercedes	59	04 188 0014	Mercedes	14
5563-6	Mercedes	5	5631	Mercedes	59	04 200 0075	Mercedes	19
5564	Mercedes	55	5632	Mercedes	42	04 200 0076	Mercedes	19
5565	Mercedes	29	5633	Mercedes	64	04 312 0001	Mercedes	18
5566	Mercedes	32	5634	Mercedes	27	04 356 0001	Mercedes	71
5567	Mercedes	29	5635	Mercedes	22	04 356 0002	Mercedes	71
5568	Mercedes	47	5636	Mercedes	64	04 413 0001	Mercedes	69



HD REFERENCE CROSS LIST

HD NO	BRAND	PAGE	HD NO	BRAND	PAGE	HD NO	BRAND	PAGE
04 413 0002	Mercedes	69	9055	MAN	92	9112	MAN	99
AT 2114	Mercedes	70	9056	MAN	92	9113	MAN	85
AT 2114-1	Mercedes	70	9057	MAN	92	9114	MAN	94
AT 3114	Mercedes	70	9058	MAN	96	9115	MAN	92
AT 4114	Mercedes	70	9059	MAN	96	9116	MAN	101
MAN			9060	MAN	96	9117	MAN	99
9001	MAN	84	9061	MAN	94	9118	MAN	91
9002	MAN	96	9062	MAN	94	9119	MAN	97
9003	MAN	96	9063	MAN	93	9120	MAN	101
9004	MAN	89	9064	MAN	107	9121	MAN	107
9005	MAN	94	9065	MAN	98	9122	MAN	97
9006	MAN	94	9066	MAN	83	9123	MAN	97
9007	MAN	83	9067	MAN	83	9124	MAN	94
9008	MAN	75	9068	MAN	83	9125	MAN	99
9009	MAN	74	9069	MAN	99	9126	MAN	100
9010	MAN	74	9070	MAN	85	9127	MAN	94
9011	MAN	74	9071	MAN	108	9128	MAN	86
9012	MAN	74	9073	MAN	83	9129	MAN	85
9013	MAN	90	9074	MAN	108	9130	MAN	100
9014	MAN	85	9075	MAN	100	9131	MAN	91
9015	MAN	85	9076	MAN	98	9132	MAN	80
9016	MAN	76	9077	MAN	75	9133	MAN	78
9017	MAN	85	9078	MAN	101	9134	MAN	86
9018	MAN	85	9079	MAN	100	9135	MAN	75
9019	MAN	108	9080	MAN	89	9136	MAN	102
9020	MAN	89	9081	MAN	76	9137	MAN	84
9021	MAN	75	9082	MAN	86	9138	MAN	80
9022	MAN	76	9083	MAN	86	9139	MAN	80
9023	MAN	76	9084	MAN	87	9140	MAN	75
9024	MAN	77	9084-1	MAN	87	9141	MAN	90
9025	MAN	77	9084-2	MAN	87	9142	MAN	93
9026	MAN	77	9085	MAN	87	9143	MAN	95
9027	MAN	77	9085-1	MAN	87	9144	MAN	93
9028	MAN	77	9085-2	MAN	87	9145	MAN	94
9029	MAN	77	9086	MAN	88	9146	MAN	95
9030	MAN	84	9086-1	MAN	88	9147	MAN	90
9031	MAN	78	9087	MAN	87	9148	MAN	107
9032	MAN	78	9088	MAN	88	9149	MAN	108
9033	MAN	84	9089	MAN	91	9150	MAN	100
9034	MAN	107	9090	MAN	97	9151	MAN	99
9035	MAN	78	9091	MAN	97	9152	MAN	107
9036	MAN	78	9092	MAN	106	9153	MAN	107
9037	MAN	78	9093	MAN	96	9154	MAN	107
9038	MAN	79	9094	MAN	100	9155	MAN	102
9039	MAN	74	9095	MAN	89	9156	MAN	83
9040	MAN	79	9096	MAN	106	9157	MAN	91
9041	MAN	79	9097	MAN	93	9158	MAN	89
9042	MAN	79	9098	MAN	91	9159	MAN	98
9043	MAN	79	9099	MAN	99	9160	MAN	98
9044	MAN	79	9100	MAN	74	9161	MAN	84
9045	MAN	79	9101	MAN	101	9162	MAN	100
9046	MAN	80	9102	MAN	74	9163	MAN	88
9047	MAN	80	9103	MAN	86	9164	MAN	88
9048	MAN	89	9104	MAN	75	9165	MAN	98
9049	MAN	89	9105	MAN	83	9166	MAN	85
9050	MAN	108	9106	MAN	91	9167	MAN	90
9051	MAN	92	9107	MAN	90	9168	MAN	90
9052	MAN	92	9108	MAN	88	9169	MAN	90
9053	MAN	92	9109	MAN	89	9170	MAN	102
9054	MAN	92	9110	MAN	98	9171	MAN	103
			9111	MAN	77	9172	MAN	103



HD REFERENCE CROSS LIST

HD NO	BRAND	PAGE	HD NO	BRAND	PAGE	HD NO	BRAND	PAGE
9173	MAN	103	9245	MAN	93	14020	Volvo	113
9174	MAN	102	9246	MAN	93	14021	Volvo	113
9176	MAN	103	9247	MAN	99	14022	Volvo	110
9177	MAN	103	9248	MAN	75	14023	Volvo	121
9178	MAN	105	9249	MAN	76	14024	Volvo	115
9179	MAN	106	9250	MAN	93	14025	Volvo	124
9180	MAN	105	9251	MAN	87	14026	Volvo	122
9181	MAN	105	9252	MAN	107	14027	Volvo	124
9183	MAN	86	9253	MAN	97	14031	Volvo	127
9184	MAN	84	9254	MAN	97	14032	Volvo	111
9185	MAN	84	9256	MAN	88	14033	Volvo	126
9186	MAN	106	9257	MAN	99	14034	Volvo	124
9188	MAN	95	9258	MAN	74	14035	Volvo	121
9189	MAN	104	9259	MAN	102	14036	Volvo	125
9190	MAN	104	9260	MAN	98	14037	Volvo	118
9191	MAN	104	9261	MAN	79	14038	Volvo	116
9193	MAN	105	9262	MAN	78	14039	Volvo	126
9194	MAN	105	9263	MAN	78	14040	Volvo	114
9195	MAN	103	9264	MAN	96	14041	Volvo	126
9196	MAN	102	9265	MAN	76	14042	Volvo	122
9197	MAN	104	9266	MAN	101	14043	Volvo	126
9198	MAN	104	9267	MAN	101	14044	Volvo	124
9199	MAN	104	9267/1	MAN	101	14045	Volvo	120
9200	MAN	104	9268	MAN	104	14046	Volvo	120
9201	MAN	105	9270	MAN	106	14047	Volvo	126
9202	MAN	76	9271	MAN	105	14048	Volvo	126
9203	MAN	76	9272	MAN	95	14049	Volvo	127
9204	MAN	91	9273	MAN	95	14050	Volvo	127
9205	MAN	101	9274	MAN	95	14051	Volvo	124
9206	MAN	95	9275	MAN	97	14052	Volvo	126
9207	MAN	96	9276	MAN	86	14053	Volvo	125
9208	MAN	90	9277	MAN	77	14054	Volvo	123
9209	MAN	75	9278	MAN	102	14055	Volvo	127
9210	MAN	86	9279	MAN	95	14056	Volvo	127
9211	MAN	80	9280	MAN	106	14057	Volvo	120
9212	MAN	80	9281	MAN	106	14058	Volvo	123
9213	MAN	81	9282	MAN	106	14059	Volvo	122
9214	MAN	81	9283	MAN	100	14061	Volvo	122
9216	MAN	81	9284	MAN	93	14062	Volvo	123
9217	MAN	81	05 06604 001	MAN	83	14063	Volvo	123
9218	MAN	81				14064	Volvo	117
9219	MAN	81				14065	Volvo	127
9220	MAN	81	14001	Volvo	122	14066	Volvo	112
9221	MAN	81	14002	Volvo	116	14067	Volvo	112
9225	MAN	80	14003	Volvo	113	14068	Volvo	112
9226	MAN	82	14004	Volvo	110	14069	Volvo	112
9227	MAN	82	14005	Volvo	121	14070	Volvo	112
9228	MAN	82	14006	Volvo	120	14071	Volvo	112
9231	MAN	82	14007	Volvo	114	14072	Volvo	112
9232	MAN	82	14008	Volvo	114	14074	Volvo	113
9233	MAN	82	14009	Volvo	120	14076	Volvo	113
9234	MAN	82	14010	Volvo	117	14077	Volvo	120
9235	MAN	82	14011	Volvo	111	14078	Volvo	121
9236	MAN	108	14012	Volvo	110	14079	Volvo	121
9237	MAN	102	14013	Volvo	117	14081	Volvo	123
9238	MAN	84	14014	Volvo	110	14082	Volvo	117
9239	MAN	103	14015	Volvo	110	14083	Volvo	118
9240	MAN	105	14016	Volvo	110	14084	Volvo	117
9241	MAN	88	14017	Volvo	111	14085	Volvo	114
9242	MAN	108	14018	Volvo	111	14086	Volvo	121
9244	MAN	91	14019	Volvo	110	14087	Volvo	121

VOLVO



HD REFERENCE CROSS LIST

HD NO	BRAND	PAGE	HD NO	BRAND	PAGE	HD NO	BRAND	PAGE
14088	Volvo	118	14152	Volvo	111	10059	Daf	135
14089	Volvo	118	14153	Volvo	127	10060	Daf	135
14090	Volvo	120	14154	Volvo	115	10061	Daf	133
14092	Volvo	125	14155	Volvo	125	10062	Daf	130
14093	Volvo	127	14156	Volvo	118	10063	Daf	132
14094	Volvo	119				10064	Daf	135
14095	Volvo	119		DAF		10065	Daf	132
14096	Volvo	119	10001	Daf	130	10066	Daf	132
14097	Volvo	110	10002	Daf	130	10067	Daf	132
14098	Volvo	115	10003	Daf	131	10068	Daf	133
14099	Volvo	122	10004	Daf	131	10069	Daf	130
14100	Volvo	125	10005	Daf	131	10070	Daf	133
14101	Volvo	116	10006	Daf	132	10071	Daf	133
14102	Volvo	122	10007	Daf	134	10072	Daf	138
14103	Volvo	118	10008	Daf	136	10073	Daf	135
14104	Volvo	122	10009	Daf	136	10074	Daf	135
14105	Volvo	117	10010	Daf	137	10076	Daf	134
14106	Volvo	120	10011	Daf	132	10077	Daf	133
14107	Volvo	114	10012	Daf	134	10078	Daf	138
14108	Volvo	114	10013	Daf	134	10079	Daf	134
14109	Volvo	114	10014	Daf	137	10080	Daf	140
14110	Volvo	115	10015	Daf	134	10081	Daf	136
14111	Volvo	115	10016	Daf	137	10082	Daf	136
14112	Volvo	128	10017	Daf	137	10083	Daf	130
14113	Volvo	111	10018	Daf	139	10085	Daf	134
14114	Volvo	124	10019	Daf	139		SCANIA	
14115	Volvo	113	10020	Daf	131	12001	Scania	142
14116	Volvo	113	10021	Daf	136	12002	Scania	143
14117	Volvo	123	10022	Daf	137	12003	Scania	142
14118	Volvo	111	10023	Daf	136	12004	Scania	142
14119	Volvo	124	10024	Daf	133	12005	Scania	147
14120	Volvo	124	10025	Daf	133	12006	Scania	147
14121	Volvo	116	10026	Daf	130	12007	Scania	143
14122	Volvo	116	10027	Daf	138	12008	Scania	144
14123	Volvo	119	10029	Daf	130	12009	Scania	149
14124	Volvo	126	10030	Daf	130	12010	Scania	143
14125	Volvo	128	10031	Daf	136	12011	Scania	145
14126	Volvo	123	10032	Daf	138	12012	Scania	146
14127	Volvo	115	10033	Daf	134	12013	Scania	144
14128	Volvo	112	10034	Daf	139	12014	Scania	149
14129	Volvo	113	10035	Daf	133	12015	Scania	149
14130	Volvo	115	10036	Daf	138	12016	Scania	147
14131	Volvo	121	10037	Daf	135	12017	Scania	142
14132	Volvo	119	10038	Daf	132	12018	Scania	146
14133	Volvo	119	10039	Daf	136	12019	Scania	146
14134	Volvo	119	10040	Daf	137	12021	Scania	147
14135	Volvo	119	10041	Daf	137	12022	Scania	147
14136	Volvo	115	10042	Daf	138	12023	Scania	143
14137	Volvo	123	10043	Daf	139	12024	Scania	143
14138	Volvo	116	10044	Daf	138	12025	Scania	145
14140	Volvo	114	10046	Daf	131	12027	Scania	146
14141	Volvo	116	10047	Daf	132	12028	Scania	148
14143	Volvo	116	10048	Daf	131	12029	Scania	148
14144	Volvo	117	10049	Daf	131	12030	Scania	147
14145	Volvo	117	10050	Daf	131	12031	Scania	145
14146	Volvo	125	10051	Daf	139	12032	Scania	149
14147	Volvo	111	10053	Daf	135	12034	Scania	143
14148	Volvo	118	10055	Daf	137	12035	Scania	143
14149	Volvo	118	10056	Daf	135	12036	Scania	143
14150	Volvo	125	10057	Daf	139	12038	Scania	142
14151	Volvo	125	10058	Daf	138			



HD REFERENCE CROSS LIST

HD NO	BRAND	PAGE	HD NO	BRAND	PAGE	HD NO	BRAND	PAGE
12040	Scania	146	19036	Renault	162	19099	Renault	154
12042	Scania	145	19037	Renault	167	19100	Renault	159
12043	Scania	148	19038	Renault	167	19101	Renault	158
12044	Scania	147	19039	Renault	165	19102	Renault	159
12045	Scania	144	19040	Renault	160	19103	Renault	159
12046	Scania	144	19041	Renault	165	19104	Renault	160
12047	Scania	149	19042	Renault	165	19105	Renault	162
12048	Scania	146	19043	Renault	165	19106	Renault	166
12049	Scania	147	19044	Renault	163	19108	Renault	167
12050	Scania	142	19045	Renault	155	19109	Renault	163
12051	Scania	146	19046	Renault	158	19110	Renault	167
12052	Scania	148	19047	Renault	163	19111	Renault	159
12053	Scania	148	19048	Renault	163	19112	Renault	152
12055	Scania	145	19049	Renault	160	19113	Renault	152
12056	Scania	144	19050	Renault	167	19114	Renault	159
12057	Scania	144	19051	Renault	166	19115	Renault	167
12058	Scania	149	19052	Renault	156	19116	Renault	160
12059	Scania	149	19053	Renault	156	19117	Renault	161
12060	Scania	148	19054	Renault	160	19118	Renault	157
12061	Scania	149	19055	Renault	163	19119	Renault	163
12062	Scania	146	19056	Renault	154	19120	Renault	153
12063	Scania	145	19059	Renault	152	19122	Renault	167
12064	Scania	148	19060	Renault	152	19137	Renault	161
12065	Scania	144	19061	Renault	153	19138	Renault	155
12066	Scania	144	19062	Renault	153	19139	Renault	161
12067	Scania	145	19063	Renault	153	19140	Renault	157
12068	Scania	142	19064	Renault	160	19141	Renault	157
12069	Scania	142	19065	Renault	166	19143	Renault	162
12070	Scania	148	19066	Renault	156	19146	Renault	162
RENAULT			19067	Renault	159	19147	Renault	152
19000	Renault	154	19068	Renault	166	19148	Renault	153
19001	Renault	154	19069	Renault	159	19149	Renault	153
19002	Renault	154	19070	Renault	164	19150	Renault	161
19003	Renault	155	19071	Renault	158	19151	Renault	162
19004	Renault	155	19072	Renault	157	19152	Renault	157
19005	Renault	155	19073	Renault	157	19153	Renault	153
19006	Renault	155	19074	Renault	164	MITSUBISHI-MARATHON		
19007	Renault	158	19075	Renault	164	6001	Mitsubishi Marathon	170
19008	Renault	158	19076	Renault	164	6002	Mitsubishi Marathon	170
19009	Renault	163	19077	Renault	164	6003	Mitsubishi Marathon	170
19010	Renault	154	19078	Renault	165	6004	Mitsubishi Marathon	170
19011	Renault	158	19079	Renault	165	6005	Mitsubishi Marathon	170
19013	Renault	156	19080	Renault	164	6006	Mitsubishi Marathon	170
19014	Renault	164	19081	Renault	164	6007	Mitsubishi Marathon	170
19017	Renault	158	19082	Renault	160	6008	Mitsubishi Marathon	170
19018	Renault	160	19083	Renault	161	PEUGEOT		
19019	Renault	154	19084	Renault	158	7300	Peugeot	172
19020	Renault	155	19085	Renault	166	7301	Peugeot	172
19023	Renault	152	19086	Renault	166	7301-1	Peugeot	172
19024	Renault	154	19087	Renault	163	7302	Peugeot	173
19025	Renault	152	19088	Renault	155	7303	Peugeot	173
19026	Renault	152	19089	Renault	156	7304	Peugeot	173
19027	Renault	165	19090	Renault	156	7305	Peugeot	172
19028	Renault	162	19091	Renault	153	7306	Peugeot	172
19029	Renault	165	19092	Renault	156	7307	Peugeot	172
19031	Renault	162	19093	Renault	166	7308	Peugeot	172
19032	Renault	156	19094	Renault	161	7309	Peugeot	172
19033	Renault	161	19095	Renault	166	7310	Peugeot	173
19034	Renault	161	19096	Renault	157	7311	Peugeot	173
19035	Renault	162	19097	Renault	159			
			19098	Renault	157			



HD REFERENCE CROSS LIST

HD NO	BRAND	PAGE	HD NO	BRAND	PAGE	HD NO	BRAND	PAGE
7312	Peugeot	173	15060	Iveco	180	18008	Setra	198
IKARUS			15061	Iveco	182	18009	Setra	199
13001	Ikarus	176	15062	Iveco	185	18010	Setra	199
13002	Ikarus	176	15063	Iveco	182	18012	Setra	199
13003	Ikarus	176	15064	Iveco	184	18014	Setra	199
13004	Ikarus	176	15065	Iveco	184	18015	Setra	199
13005	Ikarus	176	15066	Iveco	178	18016	Setra	199
13006	Ikarus	176	15069	Iveco	183	18017	Setra	199
IVECO			15070	Iveco	183	TRAILER PARTS		
15001	Iveco	178	15071	Iveco	183	5231	Trailer Parts	215
15002	Iveco	178	15072	Iveco	183	5232	Trailer Parts	215
BMC						11001	Trailer Parts	217
15003	Iveco	181	16002	Bmc	191	11002	Trailer Parts	218
15004	Iveco	181	16003	Bmc	190	11003	Trailer Parts	218
15005	Iveco	181	16004	Bmc	190	11004	Trailer Parts	218
15006	Iveco	179	16005	Bmc	190	11005	Trailer Parts	219
15007	Iveco	180	16006	Bmc	188	11006	Trailer Parts	217
15008	Iveco	179	16008	Bmc	190	11007	Trailer Parts	218
15009	Iveco	181	16009	Bmc	190	11008	Trailer Parts	217
15010	Iveco	179	16010	Bmc	188	11010	Trailer Parts	218
15011	Iveco	179	16011	Bmc	188	11012	Trailer Parts	218
15012	Iveco	179	16012	Bmc	191	11013	Trailer Parts	217
15013	Iveco	181	16013	Bmc	190	11014	Trailer Parts	217
15014	Iveco	185	16014	Bmc	189	11015	Trailer Parts	216
15015	Iveco	185	16015	Bmc	189	11016	Trailer Parts	216
15016	Iveco	185	16016	Bmc	189	11017	Trailer Parts	216
15017	Iveco	185	16017	Bmc	189	11018	Trailer Parts	216
15018	Iveco	184	16018	Bmc	188	11020	Trailer Parts	216
15019	Iveco	184	16019	Bmc	188	11022	Trailer Parts	217
15020	Iveco	184	16020	Bmc	188	11025	Trailer Parts	219
15021	Iveco	184	16021	Bmc	188	11026	Trailer Parts	220
15022	Iveco	183	16022	Bmc	189	11028	Trailer Parts	220
15023	Iveco	181	16023	Bmc	189	11029	Trailer Parts	202
15024	Iveco	184	16024	Bmc	189	11030	Trailer Parts	202
15027	Iveco	181	16025	Bmc	189	11031	Trailer Parts	219
15028	Iveco	180	16026	Bmc	191	11032	Trailer Parts	219
15029	Iveco	180	16027	Bmc	191	11033	Trailer Parts	207
15030	Iveco	179	16028	Bmc	190	11034	Trailer Parts	219
15031	Iveco	181	NEOPLAN			11035	Trailer Parts	210
15032	Iveco	180	17001	Neoplan	194	11036	Trailer Parts	218
15033	Iveco	179	17002	Neoplan	194	11037	Trailer Parts	212
15034	Iveco	182	17003	Neoplan	194	11038	Trailer Parts	214
15035	Iveco	182	17004	Neoplan	195	11039	Trailer Parts	208
15036	Iveco	182	17005	Neoplan	194	11040	Trailer Parts	208
15037	Iveco	178	17006	Neoplan	194	11041	Trailer Parts	208
15038	Iveco	182	17007	Neoplan	194	11042	Trailer Parts	208
15039	Iveco	183	17008	Neoplan	194	11043	Trailer Parts	209
15040	Iveco	183	17009	Neoplan	195	11044	Trailer Parts	209
15041	Iveco	183	17010	Neoplan	194	11045	Trailer Parts	206
15042	Iveco	180	17011	Neoplan	195	11046	Trailer Parts	206
15043	Iveco	178	SETRA			11047	Trailer Parts	206
15044	Iveco	180	18001	Setra	198	11049	Trailer Parts	207
15045	Iveco	185	18002	Setra	198	11050	Trailer Parts	220
15046	Iveco	184	18003	Setra	198	11051	Trailer Parts	213
15048	Iveco	182	18004	Setra	198	11052	Trailer Parts	214
15049	Iveco	179	18005	Setra	198	11053	Trailer Parts	213
15050	Iveco	178	18006	Setra	198	11054	Trailer Parts	214
15051	Iveco	180	18007	Setra	198	11055	Trailer Parts	214
15052	Iveco	178				11056	Trailer Parts	202
15053	Iveco	178				11057	Trailer Parts	209



HD REFERENCE CROSS LIST

HD NO	BRAND	PAGE	HD NO	BRAND	PAGE
11058	Trailer Parts	220	11171	Trailer Parts	213
11059	Trailer Parts	209	11172	Trailer Parts	212
11060	Trailer Parts	209	11173	Trailer Parts	221
11061	Trailer Parts	207	11174	Trailer Parts	221
11062	Trailer Parts	204	11175	Trailer Parts	221
11063	Trailer Parts	215	11176	Trailer Parts	211
11064	Trailer Parts	209	11177	Trailer Parts	212
11065	Trailer Parts	209	11178	Trailer Parts	213
11066	Trailer Parts	217	11179	Trailer Parts	208
11067	Trailer Parts	210	11182	Trailer Parts	214
11068	Trailer Parts	208	11183	Trailer Parts	214
11069	Trailer Parts	207	11184	Trailer Parts	215
11070	Trailer Parts	207	11185	Trailer Parts	214
11071	Trailer Parts	208	11186	Trailer Parts	208
11072	Trailer Parts	207	11187	Trailer Parts	205
11073	Trailer Parts	214	11188	Trailer Parts	204
11074	Trailer Parts	215	11189	Trailer Parts	205
11075	Trailer Parts	218	11190	Trailer Parts	203
11076	Trailer Parts	219	11191	Trailer Parts	205
11077	Trailer Parts	215	11192	Trailer Parts	205
11078	Trailer Parts	202	11193	Trailer Parts	205
11079	Trailer Parts	204	11194	Trailer Parts	205
11080	Trailer Parts	204	11195	Trailer Parts	205
11082	Trailer Parts	219	11196	Trailer Parts	203
11083	Trailer Parts	202	11197	Trailer Parts	206
11084	Trailer Parts	203	11199	Trailer Parts	206
11085	Trailer Parts	203	11201	Trailer Parts	203
11086	Trailer Parts	204	11202	Trailer Parts	206
11087	Trailer Parts	204	11206	Trailer Parts	206
11088	Trailer Parts	202	11210	Trailer Parts	202
11089	Trailer Parts	220	11211	Trailer Parts	203
11090	Trailer Parts	220	11212	Trailer Parts	203
11120	Trailer Parts	209	11213	Trailer Parts	220
11122	Trailer Parts	219	5231M	Trailer Parts	215
11123	Trailer Parts	217			
11124	Trailer Parts	216			
11125	Trailer Parts	215			
11134	Trailer Parts	212			
11135	Trailer Parts	206			
11136	Trailer Parts	211			
11137	Trailer Parts	210			
11138	Trailer Parts	210			
11139	Trailer Parts	204			
11140	Trailer Parts	204			
11141	Trailer Parts	203			
11142	Trailer Parts	205			
11144	Trailer Parts	210			
11145	Trailer Parts	210			
11147	Trailer Parts	211			
11148	Trailer Parts	212			
11150	Trailer Parts	211			
11158	Trailer Parts	212			
11159	Trailer Parts	212			
11160	Trailer Parts	212			
11162	Trailer Parts	213			
11165	Trailer Parts	213			
11166	Trailer Parts	211			
11167	Trailer Parts	211			
11168	Trailer Parts	211			
11169	Trailer Parts	211			
11170	Trailer Parts	210			



ORIGINAL REFERENCE CROSS LIST

OEM NO	HD NO	PAGE	OEM NO	HD NO	PAGE	OEM NO	HD NO	PAGE
MERCEDES-BENZ			000 326 26 81	5299	44	000 350 51 05	5570	53
000 200 47 22A	04 200 0075	19	000 326 27 81	5359	41	000 353 00 89	1010	21
000 200 99 22	04 200 0076	19	000 326 30 81	5299	44	000 353 02 91	1007	19
000 241 01 13	5200	10	000 326 32 81	5299	44	000 423 21 87	1021	38
000 241 04 13	5200	10	000 326 36 81	5582	42	000 423 25 87	1020	38
000 241 05 13	5200	10	000 326 37 81	5582	42	000 491 02 85	5653	11
000 241 06 13	5200	10	000 326 38 81	5582	42	000 501 00 82	5495	15
000 241 11 13	5201	10	000 326 40 81	5346	43	000 501 01 82	5497	15
000 241 15 13	5413	20	000 326 44 81	5309	45	000 501 05 82	5512	16
000 242 12 13	5212	10	000 326 50 81	5315	45	000 501 59 82	5512	16
000 242 15 13	5212	10	000 326 51 81	5347	45	000 501 60 82	5496	15
000 267 02 14	5265	21	000 330 00 75	5289	51	000 501 61 82	5498	15
000 267 17 14	5265	21	000 330 02 07	5331	49	000 586 01 35	5391	55
000 268 59 89	5420	22	000 330 02 10	5316	49	000 586 06 32	5601	48
000 320 01 44	5666	36	000 330 02 17	5605	48	000 586 11 35	5266	51
000 320 06 44	5297	39	000 330 04 07	5296	53	000 586 12 35	5244	53
000 320 07 44	5324	39	000 330 04 10	5388	50	000 586 14 33	5427	54
000 320 10 44	5329	38	000 330 05 11	5409	49	000 586 15 33	5475	54
000 321 00 50	3091	36	000 330 06 11	5397	52	000 586 18 26	5265	21
000 321 01 50	3091	36	000 330 07 07	5333	50	000 586 18 33	5391	55
000 321 02 50	5339	35	000 330 08 11	5364	42	000 586 19 33	5391	55
000 321 03 50	3091	36	000 330 16 11	5367	42	000 987 20 43	5610	13
000 321 04 50	5339	35	000 330 20 11	5598	50	000 987 24 43	5520	18
000 322 00 44	5283	28	000 330 21 11	5530	49	000 988 42 11	5344	36
000 322 01 44	5283	28	000 330 25 11	5340	49	000 988 54 11	5643	13
000 322 02 44	5284	28	000 330 26 11	5340	49	000 992 16 03	5399	23
000 322 03 85	5305	40	000 350 01 13	5267	53	000 997 06 53	5521	17
000 322 05 85	5305	40	000 350 02 05	5542	54	00023037K26	AT 3114	70
000 322 12 85	5303	39	000 350 02 13	5311	51	001 094 78 82	5494	17
000 322 19 85	5306	40	000 350 03 05	5427	54	001 094 79 82	5489	16
000 322 21 85	5303	39	000 350 04 05	5391	55	001 501 79 82	5496	15
000 322 22 85	5303	39	000 350 04 13	5244	53	001 987 23 40	3085	12
000 322 32 58	5303	39	000 350 05 05	5427	54	001 987 26 40	3084	12
000 322 32 85	5602	40	000 350 05 06	5275	51	001 987 52 40	3084	12
000 323 21 50	5410	64	000 350 05 13	5660	55	001 987 53 40	3085	12
000 323 28 85	5328	38	000 350 06 13	5266	51	001 987 71 40	5686	12
000 323 32 85	5556	64	000 350 07 06	5628	62	001 988 08 10	5383	37
000 323 53 85	5658	44	000 350 09 05	5276	54	001 988 24 10	5369	43
000 323 55 85	5658	44	000 350 10 05	5278	49	002 094 08 82	5491	16
000 323 58 85	5658	44	000 350 11 05	5612	54	002 094 17 82	5489	16
000 323 62 85	5298	44	000 350 12 05	5388	50	002 094 20 82	5494	17
000 323 79 85	5318	41	000 350 13 05	5332	50	002 094 52 82	5494	17
000 323 79 85 / S	5318/1	41	000 350 13 13	5606	51	002 094 54 82	5489	16
000 323 79 85 S	5597	41	000 350 14 05	5425	55	002 094 55 82	5491	16
000 323 79 85 S2	5358	48	000 350 15 05	5380	55	002 094 55 82	5539	17
000 323 81 85	5310	40	000 350 15 13	5290	52	002 094 57 82	5491	17
000 323 81 85 / S	5310-1	40	000 350 17 05	5348	54	002 094 59 82	5494	17
000 325 02 85	5304	39	000 350 18 05	5564	55	002 094 60 82	5493	17
000 325 04 85	5285	44	000 350 19 05	5647	54	002 094 63 82	5489	16
000 325 04 96	5274-1	26	000 350 20 05	5321	49	002 094 69 82	5503	17
000 325 05 96	5273	26	000 350 21 05	5320	50	002 094 76 82	5494	17
000 325 06 85	5424	44	000 350 22 05	5282	49	002 460 45 05	5579	58
000 325 06 96	5274	26	000 350 23 05	5294	52	002 460 46 05	5579	58
000 325 07 85	5304	39	000 350 24 05	5281	53	002 987 24 43	5518	18
000 325 07 96	5273	26	000 350 25 05	5317	50	002 997 08 52	5515	17
000 325 08 85	5304	39	000 350 27 05	5327	52	002 997 54 52	5488	16
000 325 08 96	5274	26	000 350 28 05	5411	53	002 997 63 52	5506	17
000 325 09 85	5285	44	000 350 30 05	5266	51	003 460 50 05	5579	58
000 326 02 50	5478	63	000 350 31 05	5293	52	020 021 14 03	AT 2114	70
000 326 06 50	5404	62	000 350 32 05	5408	51	024 997 03 82	5487	16
000 326 09 81	5637	63	000 350 33 05	5291	52	024 997 07 82	5490	16
000 326 09 81S	5638	48	000 350 35 05	5281	53	024 997 08 82	5486	16
000 326 16 81	5477	63	000 350 36 05	5288	53	120 333 19 65	5206-2	24
000 326 17 81	5573	63	000 350 37 05	5292	52	136 267 02 96	1006	21
000 326 22 81	5359	41	000 350 40 05	5294	52	180 333 01 65	5206-1	23
			000 350 44 05	5570	53	300 240 04 18	5252	3



ORIGINAL REFERENCE CROSS LIST

OEM NO	HD NO	PAGE	OEM NO	HD NO	PAGE	OEM NO	HD NO	PAGE
300 320 00 28	1055	33	322 504 01 12	5235	12	375 323 03 85	5384	40
301 240 19 17	1043	7	322 504 02 12	3084	12	375 330 00 07	5438	55
301 240 29 17	1043	7	326 094 01 91	1008	19	375 350 00 06	5457	57
301 240 30 17	1048	8	326 094 07 91	5225	19	375 350 01 05	5471	60
301 326 00 81	5351	44	327 504 50 82	5272	13	375 350 02 05	5443	60
302 240 02 17	1003	9	335 462 00 96	5207	23	375 350 05 05	5574	60
302 240 10 18	1004	9	335 890 00 01	5222	22	375 350 06 05 S1	5616	53
302 240 11 17	1003	9	336 413 05 42	03 413 0009	68	375 391 00 17	5384	40
302 240 11 18	1004	9	336 413 06 42	03 413 0010	68	381 240 06 18	5228	3
302 320 03 17	1015	27	336 504 00 12	5215	12	381 240 08 17	1037	9
302 321 02 06	1016	27	338 413 00 12	5203	68	381 240 09 17	1037	9
302 322 00 44	1017	30	343 241 00 13	5201	10	381 240 12 17	1037	9
302 324 02 08	1015	27	343 267 00 96	5213	21	381 240 17 18	5228	3
302 410 00 80	1005	20	343 267 00 96A	5214	21	381 410 00 10	5376	65
302 888 02 24	1013	37	343 312 00 84	04 312 0001	18	386 240 72 18	5228	3
305 324 01 08	5594	65	343 325 00 44	5219	22	381 317 15 12	5356	25
305 324 03 08	5634	27	346 266 00 03	5227	18	381 317 17 12	5357	25
307 240 00 17	5250	9	346 353 03 58	5642	71	381 410 02 22	5376	65
307 240 01 17	5250	9	346 356 03 15	03 356 0001	71	381 410 09 20	5376	65
309 310 02 77	3068	22	346 356 09 15	04 356 0001	71	381 410 15 22	5376	65
309 310 07 77	3067	22	346 356 14 15	03 356 0001	71	381 528 01 91	5236	19
309 320 00 73	3074	36	346 410 00 10	5376	65	383 240 03 17	1051	8
309 320 00 77	3089	27	346 413 09 42	04 413 0002	69	383 240 07 18	5242-1	2
309 320 01 77	3090	27	346 413 50 42	03 413 0003	68	383 240 09 17	1052	8
309 320 02 77	3089	27	346 413 51 42	03 413 0004	68	383 240 17 17	1052	8
309 323 03 85	3073	31	346 586 01 32	5638	48	383 350 01 05	5546	60
309 326 02 81	3072	39	346 632 01 28	5638	48	384 504 71 12	5220	11
309 410 01 10	3071	65	347 504 00 12	5202	13	385 268 06 96	5635	22
309 586 01 41	3071	65	350 240 70 18	5212	10	385 268 14 74 SP	5406	22
310 240 00 13	3082	9	352 155 05 50	5264	38	385 350 00 06	5426	56
310 241 02 13	3087	10	352 155 06 50	5264	38	385 350 01 06	5439	57
310 241 03 13	3087	10	352 240 01 18	5217	9	385 410 00 22	5230	67
310 242 01 13	3082	9	352 240 02 17	5217	9	385 410 01 22	5230-55	66
310 320 00 50	3065	35	352 240 03 18	5218	9	385 410 09 22	5230-55	66
310 410 06 22	3071	65	352 240 04 17	5217	9	385 586 00 41	5376	65
310 410 08 22	3071-35	65	352 240 05 17	5217	9	387 240 00 17	5224	3
310 410 09 22	3071	65	355 030 27 03	03 030 0013	69	387 240 02 18	5209	2
312 413 11 12	5241	68	355 356 12 15	04 356 0001	71	387 240 03 17	5224	3
312 462 11 50 S	5221-1	23	356 131 00 35	03 131 0034	70	387 240 04 17	5224	3
313 333 01 04	5316	49	356 321 00 06	5593	27	387 310 00 77	5428	26
313 528 00 82	1042	21	356 323 00 81	5319	41	387 320 00 28	5599	47
314 223 00 12	3080	8	356 326 00 81	5349	43	387 323 02 85	5392	63
314 223 01 12	3081	8	356 330 02 11	5455	55	387 326 00 50	5482	63
314 326 01 53	3074	36	356 330 14 10	5630	59	387 326 01 81	5371	62
314 326 04 81	3074	36	356 330 15 10	5631	59	387 326 02 81	5481	63
314 890 00 01	3069	23	356 333 13 04	5448	59	387 413 17 42	03 413 0005	69
317 326 00 68	1011	37	357 240 01 18	5251	3	387 413 18 42	03 413 0006	69
317 326 00 70	1014	36	357 240 02 18	5252	3	387 413 24 42	03 413 0011	68
317 333 09 64	1002	33	357 240 03 18	5252	3	387 413 25 42	03 413 0012	69
317 333 09 64/F	1002-F	34	357 240 04 18	5251	3	387 504 00 12	5216	12
317 333 09 64/SA	1002-T	34	357 240 06 18	5252	3	387 586 00 32	5599	47
317 333 11 64	1002	33	357 333 02 05	5467	56	387 586 01 31	5428	26
317 333 11 64/F	1002-F	34	357 333 06 05	5472	56	387 586 05 31	5268	24
317 333 11 64/Fx	1002-Fx	34	357 333 07 05	5470	56	387 891 09 57	5268	24
317 333 11 64/SA	1002-T	34	360 323 01 51	5682	65	387 891 19 10	5636	64
318 320 00 73	3095	38	360 328 00 39	5325	27	389 410 00 22	5230-60	67
318 322 02 50	5450	39	361 266 00 84	5205	18	389 410 01 22	5230-60	67
318 410 15 22	5372	66	361 266 01 84	5205	18	389 410 02 22	5230-60	67
318 586 00 31	5206	24	361 528 00 91	5226	19	389 413 03 61	5230-60	67
319 324 04 50	3075	33	363 413 00 12	5204	68	393 320 02 32	5435	58
319 324 07 50	3075	33	363 505 00 80	5263	13	393 325 00 44	5483	30
320 323 00 44	1012	38	363 505 01 80	5263	13	393 350 02 05	5546	60
320 357 00 22	3094	18	363 891 07 17	5239	23	393 350 53 05	5546	60
321 326 00 81	1018	37	371 501 79 82	5500	15	393 350 54 05	5546	60
321 462 01 65	5221	23	371 501 80 82	5499	15	393 350 55 05	5546	60
322 237 04 30	1049	20	373 240 02 17	1003	9	395 320 03 32	5439	57



ORIGINAL REFERENCE CROSS LIST

OEM NO	HD NO	PAGE	OEM NO	HD NO	PAGE	OEM NO	HD NO	PAGE
395 350 11 06	5463	59	617 240 03 18	5209	2	645 240 00 18	5242-1	2
395 350 12 06	5463	59	617 240 04 18	5242-1	2	645 240 01 18	5209	2
395 350 13 06	5431	57	619 320 01 28	5343	46	645 240 03 18	5242	2
395 410 00 22	5230-70	67	619 350 02 06	5436	57	645 240 04 18	5242	2
395 410 06 22	5230-70	67	620 240 00 17	5237	6	645 240 04 18	5209-1	2
396 323 00 50	5240	43	620 240 01 17	5237	6	645 240 05 18	5209-1	2
396 326 00 81	5416	46	620 240 02 17	5237	6	645 240 06 18	5209-1	2
397 240 02 17	1048	8	620 240 03 17	5224-2	3	645 240 06 18	5209-2	2
397 240 04 17	1048	8	620 240 03 18	5242	2	645 240 07 18	5209-2	2
397 240 06 17	1048	8	620 240 04 18	5209-1	2	645 240 08 18	5209-2	2
397 240 07 17	1048	8	620 240 05 18	5209-1	2	647 320 00 28	5389	46
403 030 08 03	04 030 0044	69	620 240 07 17	5237	6	652 240 00 18	5233	3
403 150 32 70	5264-1	37	620 268 00 97	5345	21	652 240 01 18	5233	3
403 180 24 38	04 180 0009	14	620 268 01 96	5635	22	652 240 03 18	5233	3
403 180 39 38	04 180 0010	14	620 310 00 77	5268	24	652 241 02 13	5286	10
403 200 09 26	5245	20	620 320 00 28	5568	47	652 320 05 11	5562	47
404 200 02 26	5595	20	620 320 01 28	5604	48	652 326 03 81	5368	42
423 035 15 03	04 030 0009	69	620 320 02 28	5588	47	652 326 04 81	5648	43
442 010 06 13	04 010 0035	70	620 320 06 28	5343	46	653 326 04 81	5363	41
442 030 16 03	04 030 0009	69	620 323 00 50	5414	64	653 350 00 06	5426	56
442 030 23 03	04 030 0009	69	620 323 01 50	5596	65	653 350 01 05	5546	60
442 188 01 04	04 188 0014	14	620 323 02 50	5480	64	653 350 02 05	5619	60
442 188 16 04	04 188 0014	14	620 410 00 10	5230-70	67	653 350 03 05	5623	61
442 188 18 04	04 188 0014	14	620 410 00 22	5230-60	67	653 350 04 05	5622	61
447 030 00 03	04 030 0044	69	620 413 70 42	04 413 0001	69	653 353 00 05	5546	60
447 035 01 00	04 030 0044	69	620 413 71 42	04 413 0002	69	654 350 00 05	5618	61
447 035 02 00	04 030 0044	69	620 504 00 12	5220	11	654 350 01 05	5618	61
447 035 03 00	04 030 0044	69	620 504 01 12	5220	11	654 350 03 05	5618	61
457 188 05 04	04 188 0014	14	620 505 00 86	5262	13	654 410 00 22	5230-60	67
460 333 03 14	5632	42	620 586 00 32	5588	47	654 411 00 12	5350	67
460 410 00 22	5379	65	620 891 00 17	5633	64	655 240 01 18	5233-1	2
460 410 02 22	5379	65	620 891 04 17	5583	64	655 241 00 13	5234-L	10
460 410 09 10	5379	65	621 240 00 17	5224-1	3	655 241 01 13	5234-R	10
541 035 09 14	5522	20	621 320 00 11	5474	47	655 241 06 13	5234-L	10
541 180 10 22	04 180 0033	70	621 320 01 28	5646	48	655 241 06 13/S	5234	10
541 180 14 22	04 180 0031	70	621 320 02 28	5401	46	655 241 07 13	5234-R	10
601 240 03 18	4002	18	621 320 04 28	5355	46	655 268 00 74S	5551	22
601 240 08 17	4005	11	621 323 00 85	5479	64	655 323 00 85	5365	41
601 240 09 17	4004	11	621 323 01 74	5603	48	655 326 03 81	5649	42
601 242 00 13	4022	20	621 891 00 57	5268	24	655 326 04 81	5403	45
601 320 04 11	5386	46	624 320 00 28	5545	47	655 326 05 81	5301	44
601 321 00 62	5308	28	624 350 00 06	5429	57	655 350 03 05	5546	60
601 321 03 50	4014	39	624 350 01 06	5419	56	655 410 00 22	5230-70	67
601 324 00 50	4008	35	624 350 04 06	5434	57	655 411 00 52	5230-70	67
601 324 01 50	4008	35	624 350 05 06	5431	57	656 411 00 12	5323	67
601 410 04 10	4003	66	624 528 00 82	5229	19	656 505 00 86	5271	13
601 410 15 10	4003	66	625 320 00 28	5545	47	656 505 02 86	5271	14
601 410 17 10	4003	66	625 320 01 11	5354	46	658 241 00 13	5238	8
601 410 50 10	4003	66	625 320 06 11	5650	48	658 241 01 13	5238	8
601 586 00 41	5374	66	625 320 07 11	5412	47	658 241 02 13	5238	8
602 324 00 50	4008	35	625 350 04 06	5429	57	658 323 00 85	5366	41
602 324 01 50	4008	35	625 350 05 06	5429	57	658 326 03 81	5576	45
613 300 00 06	5456	58	628 240 27 17	5652	6	658 326 05 81	5370	43
613 330 00 10	5630	59	628 322 00 50	5584	43	658 350 00 05	5546	60
613 330 00 11	5455	55	628 330 08 07	5581	51	658 350 01 05	5625	62
613 330 01 10	5631	59	629 240 00 17	5280	5	658 350 02 05	5619	60
613 333 00 04	5448	59	629 240 00 18	5279-4	7	659 350 01 06	5464	58
613 333 01 04	5444	59	629 240 02 17	5280	5	659 350 09 06	5463	59
613 350 00 06	5456	58	629 240 02 18	5279-5	7	659 350 11 06	5433	57
615 240 02 18	5228	3	629 330 00 07	5385	50	659 350 12 06	5419	56
615 240 03 17	1037	9	629 330 01 07	5295	54	659 350 15 06	5434	57
615 240 03 18	5228	3	629 330 04 07	5408	51	659 350 16 06	5431	57
615 240 04 18	5228	3	629 330 09 07	5581	51	659 350 22 06	5436	57
616 240 07 18	5251	3	631 324 00 50	5555	30	659 350 24 06	5464	58
616 240 06 18	5251	3	634 330 02 11	5407	56	659 350 32 06	5463	59
616 240 08 18	5251	3	634 330 03 11	5407	56	659 350 34 06	5433	57



ORIGINAL REFERENCE CROSS LIST

OEM NO	HD NO	PAGE	OEM NO	HD NO	PAGE	OEM NO	HD NO	PAGE
659 350 39 06	5431	57	906 326 03 81	5657	33	942 317 18 12	5342	24
659 411 01 12	5405	67	906 326 07 81	5657	33	942 317 20 12	5335	26
667 317 00 12	5394	25	930 317 00 12	5342	24	942 317 21 12	5334	26
667 320 00 44	4011	34	930 504 01 14	5360	11	942 317 22 12	5338	24
667 320 00 73	5524	36	940 240 06 17	5680	7	942 317 23 12	5451	24
667 320 51 11	5415	47	940 240 07 17	5681	7	942 326 00 50	5322	46
667 322 03 50	5450	39	940 240 08 17	5277-L	7	942 330 00 03	5578	58
667 322 06 50	5555	30	940 240 09 17	5277-R	7	942 330 01 03	5578	58
667 323 05 85	5400	31	940 240 11 18	5279-1	6	942 330 02 03	5578	58
667 325 00 84	5540	29	940 240 12 18	5279-2	6	942 330 07 03	5578	58
667 326 01 81	5585	32	940 240 13 18	5279-3	7	942 350 01 05	5580	60
670 320 03 44	4009	34	940 317 10 12	5587	26	942 350 05 05	5574	60
670 320 04 44	4010	34	940 317 11 12	5336	26	942 350 07 05	5580	60
670 411 01 12	5372	66	940 504 02 14	5402	12	942 350 08 05	5574	60
671 240 00 17	5242-2	2	941 241 11 13	5270-1	3	942 350 09 05	5626	61
671 240 01 17	5242-3	2	941 241 13 13	5270-3	4	942 350 10 05	5447	60
671 333 00 01	5469	56	941 241 15 13	5270-5	4	942 350 11 05	5471	60
671 333 00 05	5468	56	941 241 17 13	5270-7	4	942 350 12 05	5574	60
671 333 04 05	5470	56	941 241 18 13	5270-8	4	942 350 13 05	5626	61
673 317 01 12	5613	25	941 241 41 13	5270-1	3	942 350 15 05	5447	60
673 320 00 50	4013	34	941 241 43 13	5270-3	4	942 350 16 05	5471	60
673 320 01 50	4012	34	941 241 45 13	5270-5	4	942 353 01 17	5642	71
673 323 03 85	5559	31	941 241 47 13	5270-7	4	942 500 00 50	5387	24
673 324 04 08	5452	33	941 241 48 13	5270-8	4	942 501 06 82	5533	15
673 325 01 44	5558	30	941 241 49 13	5270-9	4	942 501 07 82	5534	14
673 325 02 84	5565	29	941 241 51 13	5270-1	3	942 501 10 82	5538	14
673 326 01 81	5566	32	941 241 52 13	5270-2	4	942 501 15 82	5531	15
673 326 06 81	5566	32	941 241 53 13	5270-3	4	942 501 16 82	5535	14
674 325 02 44	5567	29	941 241 54 13	5270-4	4	942 504 02 14	5352	11
674 325 03 44	5557	29	941 241 55 13	5270-5	4	942 506 15 35	5532	15
674 328 00 81	5668	32	941 241 56 13	5270-6	4	943 323 51 84	5645	29
674 328 02 81	5668	32	941 241 57 13	5270-7	4	943 323 52 84	5678	29
675 320 00 50	5561	35	941 241 58 13	5270-8	4	943 323 53 84	5678	29
675 320 01 50	5547	35	941 241 59 13	5270-9	4	943 323 83 84	5678	29
675 323 04 85	5560	31	941 241 67 13	5679	6	943 323 86 84	5678	29
675 323 14 85	5667	31	941 241 71 13	5270-1	3	944 350 00 05	5447	60
675 323 17 85	5554	32	941 241 72 13	5270-2	4	944 350 04 05	5627	61
675 323 18 85	5549	32	941 241 73 13	5270-3	4	944 350 05 05	5644	62
675 323 19 85	5553	32	941 241 74 13	5270-4	4	945 330 00 07	5437	55
675 323 20 85	5553	32	941 241 75 13	5270-5	4	945 350 01 05	5473	58
675 323 23 85	5670	33	941 241 76 13	5270-6	4	946 356 00 15	04 356 0002	71
675 324 00 08	5453	33	941 241 77 13	5270-7	4	947 325 00 50	5589	62
675 325 00 44	5672	29	941 241 78 13	5270-8	4	947 350 01 05	5447	60
675 325 01 84	5393	28	941 241 79 13	5270-9	4	947 350 05 05	5629	62
675 325 02 84	5395	28	941 241 81 13	5563-3	5	947 350 06 05	5432	57
675 325 04 85	5543	35	941 241 82 13	5563-6	5	947 350 10 05	5447	60
675 326 07 81	5552	32	941 241 83 13	5674	5	948 350 00 05	5527	58
675 326 10 81	5484	32	941 241 87 13	5563-2	5	948 350 00 06	5432	57
675 326 12 81	5484	32	941 241 88 13	5563-4	5	948 350 04 05	5443	60
676 323 00 85	5673	30	941 241 89 13	5563-5	5	948 350 06 05	5432	57
684 410 40 22	5377	65	941 241 97 13	5563-1	5	948 350 09 05	5441	59
693 241 01 13	5270-8	4	941 317 00 69	5544	25	948 350 10 05	5473	58
695 240 70 17	5353	9	941 323 00 50	5312	45	948 350 11 05	5443	60
696 241 00 13	5270-9	4	941 323 01 50	5313	42	948 350 12 05	5432	57
901 241 24 13	4020	11	941 323 03 50	5525	62	948 350 13 05	5432	57
901 241 25 13	4021	11	941 325 01 50	5676	40	948 350 17 05	5440	59
901 322 00 19	5422	30	941 326 00 50	5307	43	948 350 20 05	5527	58
901 322 04 19	5423	30	941 326 03 50	5526	63	948 350 22 05	5440	59
901 323 00 88	5449	31	941 330 00 07	5438	55	948 350 23 05	5441	59
901 323 02 85	5592	38	941 501 02 82	5538	15	948 350 24 05	5527	58
901 325 00 84	5382	28	941 501 05 82	5536	14	948 350 25 05	5473	58
901 325 07 44	5617	29	941 501 07 82	5537	14	948 350 27 05	5621	61
901 411 03 12 S	5374-1	66	941 522 01 67	5550	71	948 350 28 05	5528	60
901 411 04 12	5374	66	942 310 00 49	5326	24	948 350 29 05	5620	61
901 411 04 12 S	5374-1	66	942 310 00 77	5338	24	948 350 30 05	5443	60
904 323 00 85	5449	31	942 310 02 77	5338	24	949 330 04 03	5579	58



ATES TECHNIC FOR SPARE PARTS

RUBBER & METAL

ORIGINAL REFERENCE CROSS LIST

OEM NO	HD NO	PAGE	OEM NO	HD NO	PAGE	OEM NO	HD NO	PAGE
949 330 14 03	5579	58	81 39410 6016	9149	108	81 43220 6202	9165	98
959 350 45 06	5436	57	81 39410 6017	9148	107	81 43220 6203	9112	99
970 240 03 17	5590	6	81 39410 6018	9149	108	81 43220 6204	9079	100
970 240 03 18	5586	6	81 39410 6019	9148	107	81 43220 6210	9197	104
970 240 04 17	5591	6	81 39410 6020	9153	107	81 43220 6211	9197	104
970 317 01 12	5656	25	81 39410 6023	9152	107	81 43220 6229	9195	103
970 317 03 69	5684	25	81 39410 6025	9149	108	81 43220 6230	9239	103
970 317 04 50	5609	25	81 39410 6031	9152	107	81 43220 6233	9239	103
970 320 00 44	5396	35	81 39410 6032	9153	107	81 43220 6241	9283	100
970 320 00 95	5454	28	81 39410 6033	9152	107	81 43220 6247	9278	102
970 320 01 44	5396	35	81 39410 6034	9152	107	81 43220 6250	9125	99
970 320 03 44	5543	35	81 41401 0055	9141	90	81 43220 6258	9191	104
970 320 07 44	5396	35	81 41506 0096	9135	75	81 43220 6264	9191	104
970 323 12 85	5300	30	81 41506 6195	9265	76	81 43220 6275	9191	104
970 323 15 85	5362	31	81 41700 6095	9085	87	81 43220 6278	9191	104
970 323 17 85	5361	33	81 41700 6096	9256	88	81 43220 6279	9191	104
970 411 00 12	5372	66	81 41715 6013	9163	88	81 43220 6285	9257	99
970 411 01 12	5372	66	81 41715 6014	9088	88	81 43220 6304	9195	103
973 410 00 12	5375	66	81 41723 0067	9276	86	81 43220 6305	9195	103
973 411 00 12	5608	66	81 43220 6010	9171	103	81 43220 6322	9237	102
973 411 01 12	5608	66	81 43220 6012	9171	103	81 43220 6341	9278	102
974 320 00 44	5390	35	81 43220 6025	9170	102	81 43220 6342	9278	102
974 323 02 85	5615	44	81 43220 6035	9171	103	81 43220 9092	9177	103
974 323 03 85	5685	45	81 43220 6040	9171	103	81 43220 9129	9173	103
974 328 01 81	5572	36	81 43220 6042	9198	104	81 43230 6000	9189	104
974 350 00 05	5624	61	81 43220 6052	9171	103	81 43230 6037	9174	102
974 350 04 05	5624	61	81 43220 6055	9069	99	81 43230 6043	9247	99
974 350 05 05	5624	61	81 43220 6067	9177	103	81 43230 6051	9076	98
	1009	19	81 43220 6068	9177	103	81 43230 6068	9076	98
	1016-F	27	81 43220 6070	9176	103	81 43230 6092	9190	104
	1036	39	81 43220 6071	9176	103	81 43230 6162	9196	102
	1041	19	81 43220 6072	9176	103	81 43230 9037	9174	102
	1050	37	81 43220 6073	9069	99	81 43260 6117	9268	104
	4001	37	81 43220 6077	9197	104	81 43270 0001	9266	101
	5337	40	81 43220 6081	9197	104	81 43270 6034	9181	105
	5381	52	81 43220 6088	9197	104	81 43270 6040	9075	100
	5417	67	81 43220 6090	9177	103	81 43270 6053	9240	105
	5418	67	81 43220 6091	9176	103	81 43270 6054	9181	105
	5523	36	81 43220 6092	9177	103	81 43270 6056	9193	105
	5541	51	81 43220 6093	9176	103	81 43270 6057	9181	105
	AT 2114-1	70	81 43220 6096	9173	103	81 43270 6065	9155	102
	AT 4114	70	81 43220 6097	9173	103	81 43270 6067	9193	105
			81 43220 6098	9173	103	81 43270 6075	9193	105
			81 43220 6099	9199	104	81 43270 6076	9181	105
			81 43220 6100	9199	104	81 43270 6077	9193	105
			81 43220 6102	9200	104	81 43270 6078	9181	105
			81 43220 6103	9199	104	81 43270 6079	9150	100
			81 43220 6108	9116	101	81 43270 6080	9120	101
			81 43220 6114	9199	104	81 43270 6081	9193	105
			81 43220 6119	9176	103	81 43270 6082	9181	105
			81 43220 6129	9173	103	81 43270 6087	9180	105
			81 43220 6132	9160	98	81 43270 6088	9180	105
			81 43220 6134	9172	103	81 43270 6094	9180	105
			81 43220 6135	9172	103	81 43270 6095	9180	105
			81 43220 6136	9172	103	81 43270 6096	9178	105
			81 43220 6137	9172	103	81 43270 6097	9201	105
			81 43220 6138	9172	103	81 43270 6105	9117	99
			81 43220 6148	9200	104	81 43270 6110	9078	101
			81 43220 6152	9200	104	81 43270 6113	9201	105
			81 43220 6161	9196	102	81 43270 6116	9194	105
			81 43220 6177	9122	97	81 43270 6117	9179	106
			81 43220 6177S	9123	97	81 43270 6118	9162	100
			81 43220 6185	9199	104	81 43270 6126	9162	100
			81 43220 6186	9200	104	81 43270 6135	9201	105
			81 43220 6189	9197	104	81 43270 6137	9194	105
			81 43220 6190	9259	102	81 43270 6145S	9267	101
MAN								
06 01493 4932	9169	90						
06 01494 4933	9168	90						
06 01494 4935	9167	90						
06 36959 0027	9205	101						
06 36959 0030	9205	101						
08 01550 35	9253	97						
51 05904 0176	9071	108						
51 05904 0189	9071	108						
51 05904 0198	9071	108						
51 06604 0061	05 06604 001	83						
51 96210 0074	9261	79						
51 96330 0190	9231	82						
51 96330 0359	9225	80						
61 43220 6020	9171	103						
81 06225 0005	9263	78						
81 06225 0006	9262	78						
81 32616 0004	9185	84						
81 32616 0006	9184	84						
81 32616 0007	9184	84						
81 32616 0008	9185	84						
81 32616 0011	9185	84						
81 32616 0013	9185	84						



ATES TECHNIC FOR SPARE PARTS

RUBBER & METAL

ORIGINAL REFERENCE CROSS LIST

Table with 9 columns: OEM NO, HD NO, PAGE, OEM NO, HD NO, PAGE, OEM NO, HD NO, PAGE. It lists various part numbers and their corresponding HD and page references.

O.E.M no's are used for reference purposes only and it is not implied that any part listed is the product of these manufacturer.



ORIGINAL REFERENCE CROSS LIST

OEM NO	HD NO	PAGE	OEM NO	HD NO	PAGE	OEM NO	HD NO	PAGE
81 96210 0500	9033	84	81 96420 0170	9066	83	1068208	14031	127
81 96210 0502	9249	76	81 96420 0324	9137	84	1068222	14056	127
81 96210 0507	9207	96	81 96420 0440	9161	84	1075179	14036	125
81 96210 0508	9207	96	81 96420 0506	9219	81	1075187	14155	125
81 96210 0509	9024	77	81 96420 0529	9161	84	1075188	14053	125
81 96210 0511	9110	98	81 96503 0129	9087	87	1075255	14001	122
81 96210 0515	9121	107	81 99804 3084	9148	107	1076639	14058	123
81 96210 0525	9102	74	82 41715 6013	9164	88	1076890	14052	126
81 96210 0536	9113	85	82 43270 1601	9271	105	1080690	14063	123
81 96210 0539	9281	106	82 43270 6005	9271	105	1089014	14140	114
81 96210 0540	9281	106	82 43270 6007	9271	105	1089501	14002	116
81 96210 0541	9280	106	82 96301 0006	9138	80	1096625	14085	114
81 96210 0544	9248	75	83 43220 6502	9190	104	1134566	14084	117
81 96210 0547	9108	88	83 43230 6501	9189	104	1134955	14098	115
81 96210 0548	9109	89	83 43722 0001	9106	91	1135080	14089	118
81 96210 0550	9158	89	83 96201 0004	9134	86	1135803	14103	118
81 96210 0551	9280	106	83 96210 0001	9021	75	1136891	14083	118
81 96210 0552	9280	106	83 96210 0510	9023	76	1502144	14015	110
81 96210 0553	9102	74	84 96210 0055	9261	79	1502352	14015	110
81 96210 0554	9108	88	85 43704 0002	9273	95	1503489	14016	110
81 96210 0555	9109	89	85 43704 0004	9274	95	1503490	14016	110
81 96210 0571	9140	75	85 43704 0005	9208	90	1506399	14008	114
81 96210 0572	9104	75	85 43722 0007	9264	96	1509222	14063	123
81 96210 0574	9102	74	85 61851 6003	9183	86	1522384	14112	128
81 96210 0577	9140	75	85 90710 0014	9252	107	1570910	14065	127
81 96210 0588	9140	75	85 96020 0004	9210	86	1573032	14048	126
81 96210 0593	9209	75	85 96020 0004 S	9251	87	1573891	14012	110
81 96210 0597	9104	75	85 96210 0019	9128	86	1575339	14092	125
81 96210 0602	9043	79	85 96210 0021	9129	85	1576294	14153	127
81 96210 0604	9202	76	88 96210 0004	9023	76	1576952	14063	123
81 96210 0605	9249	76	88 96210 0802	9041	79	1580010	14154	115
81 96210 0616	9244	91		9019	108	1580080	14013	117
81 96210 0618	9245	93		9084	87	1586089	14013	117
81 96210 5011	9070	85		9084-1	87	1586316	14020	113
81 96210 5021	9095	89		9084-2	87	1587103	14013	117
81 96210 5022	9095	89		9085-1	87	1587261	14093	127
81 96210 5023	9095	89		9085-2	87	1589807	14047	126
81 96210 5025	9080	89		9086-1	88	1591689	14001	122
81 96210 5026	9080	89		9086	88	1593669	14018	111
81 96210 5027	9080	89		9227	82	1598761	14148	118
81 96210 6065	9081	76		9241	88	1605047	14146	125
81 96210 6071	9081	76		9267/1	101	1605093	14021	113
81 96210 6072	9081	76				1605182	14054	123
81 96301 0543	9218	81				1606200	14063	123
81 96301 0587	9218	81				1607316	14140	114
81 96301 0590	9220	81	263000	14055	127	1607316	14140	114
81 96301 0591	9218	81	271187	14006	120	1607468	14017	111
81 96301 0594	9232	82	271188	14094	119	1607561	14044	124
81 96301 0600	9234	82	273373	14009	120	1608019	14148	118
81 96301 0624	9233	82	273374	14096	119	1609657	14002	116
81 96301 0648	9221	81	273375	14095	119	1611420	14018	111
81 96301 0668	9213	81	273612	14131	121	1611551	14043	126
81 96301 0883	9212	80	273706	14086	121	1613624	14022	110
81 96301 0898	9138	80	274019	14009	120	1614355	14099	122
81 96301 0900	9212	80	274068	14005	121	1614600	14003	113
81 96301 0901	9214	81	274069	14102	122	1618777	14015	110
81 96301 0902	9212	80	274070	14045	120	1620247	14140	114
81 96305 0166	9139	80	275988	14046	120	1620750	14101	116
81 96320 0132	9235	82	324842	14128	112	1622825	14019	110
81 96320 0159	9216	81	351111	14105	117	1622838	14114	124
81 96320 0168	9217	81	352424	14004	110	1622982	14002	116
81 96320 0175	9211	80	354149	14008	114	1623745	14015	110
81 96330 0300	9226	82	466328	14072	112	1624605	14024	115
81 96401 0152	9130	100	470327	14076	113	1624611	14100	125
81 96420 0121	9238	84	470464	14074	113	1626139	14144	117
81 96420 0142	9238	84	476343	14032	111	1626896	14058	123
			476828	14068	112	1628107	14026	122

VOLVO



ORIGINAL REFERENCE CROSS LIST

OEM NO	HD NO	PAGE	OEM NO	HD NO	PAGE	OEM NO	HD NO	PAGE
1628449	14007	114	20429148	14109	114	689748	10010	137
1629169	14124	126	20441625	14068	112	689749	10009	136
1629553	14002	116	20442252	14123	119	691703	10008	136
1629614	14014	110	20453260	14107	114	696321	10017	137
1629665	14050	127	20466804	14082	117	698429	10081	136
1629726	14108	114	20471422	14031	127	0010761	10058	138
1629734	14058	123	20471428	14056	127	0078015	10026	130
1660079	14011	111	20491771	14081	123	0078026	10083	130
1660264	14071	112	20499469	14113	111	0088371	10063	132
1665556	14066	112	20499474	14147	111	0221342	10020	131
1675097	14068	112	20503551	14019	110	0259523	10043	139
1675098	14071	112	20507262	14059	122	0266031	10053	135
1676744	14068	112	20518642	14125	128	0266411	10012	134
1696389	14055	127	20522934	14061	122	0266412	10085	134
3028448	14120	124	20523294	14090	120	0267743	10040	137
3028449	14119	124	20527057	14138	116	0268044	10027	138
3037072	14018	111	20533294	14064	117	0281007	10056	135
3090712	14042	122	20547286	14057	120	0281514	10050	131
3090727	14106	120	20554908	14001	122	0293898	10035	133
3092453	14087	121	20556490	14062	123	0295669	10001	130
3092472	14106	120	20556608	14081	123	0295726	10061	133
3093462	14077	120	20557378	14104	122	0298497	10007	134
3093469	14087	121	20561131	14141	116	0298498	10037	135
3093544	14079	121	20561450	14070	112	0299110	10057	139
3093630	14023	121	20589061	14081	123	0300911	10030	130
3093631	14023	121	20589122	14069	112	0388486	10064	135
3111274	14145	117	20589123	14067	112	0509287	10004	131
3112049	14088	118	20702095	14131	121	0512681	10001	130
3133173	14035	121	20703338	14081	123	0513757	10016	137
3172829	14117	123	20723224	14097	110	0528299	10050	131
3173291	14062	123	20741695	14059	122	0558864	10033	134
3173294	14126	123	20741703	14059	122	0633981	10006	132
3173759	14001	122	20741710	14079	121	0672232	10005	131
3173991	14143	116	20747058	14152	111	0676331	10003	131
3173993	14136	115	20808872	14046	120	0691709	10016	137
3198122	14014	110	20829503	14137	123	1204236	10048	131
3988965	14106	120	20840820	14078	121	1208071	10017	137
4881628	14131	121	21051052	14061	122	1212816	10083	130
4941233	14009	120	21228153	14097	110	1233247	10038	132
6771515	14025	124	21312236	14070	112	1239183	10029	130
6775502	14010	117	21312237	14067	112	1252249	10019	139
6777141	14149	118	21333684	14109	114	1252280	10062	130
6795968	14156	118	68793322	14037	118	1273279	10060	135
6799335	14033	126	70308561	14088	118	1284698	10065	132
6850149	14128	112	0363 864	14151	125	1284860	10041	137
6889509	14009	120	10753355	14111	115	1286075	10046	131
8073569	14117	123	10753995	14110	115	1288231	10034	139
8143461	14041	126	1609 768	14150	125	1291233	10015	134
8149800	14066	112	203908405	14130	115	1292419	10069	130
8151413	14002	116	204292745	14132	119	1298157	10019	139
8152645	14049	127	31979375	14133	119	1314545	10011	132
8156991	14062	123	319793751	14134	119	1321936	10031	136
8171932	14129	113	319793752	14135	119	1323838	10079	134
9516523	14120	124	8143 461	14040	114	1361649	10040	137
9516524	14119	124				1361650	10040	137
9516579	14051	124				1361651	10055	137
9519245	14027	124				1368270	10055	137
9959304	14120	124	67354	10021	136	1368283	10025	133
10751808	14039	126	82522	10023	136	1376729	10039	136
20367004	14059	122	096109	10051	139	1377572	10050	131
20390836	14002	116	109860	10059	135	1378391	10047	132
20390840	14127	115	119140	10082	136	1378932	10055	137
20392649	14137	123	268043	10014	137	1390932	10022	137
20399560	14125	128	268045	10032	138	1398368	10068	133
20399981	14118	111	274650	10042	138	1400396	10076	134
20428165	14121	116	371465	10044	138	1401465	10070	133
			538329	10036	138	1401515	10070	133

DAF



ORIGINAL REFERENCE CROSS LIST

Table with 9 columns: OEM NO, HD NO, PAGE, OEM NO, HD NO, PAGE, OEM NO, HD NO, PAGE. It lists various part numbers and their corresponding OEM and HD references across three columns.

SCANIA

RENAULT



ORIGINAL REFERENCE CROSS LIST

OEM NO	HD NO	PAGE	OEM NO	HD NO	PAGE	OEM NO	HD NO	PAGE			
5010 315 487	19090	156	P.F.1485581200	6005	170	5687 637	15021	184			
5010 316 015	19032	156		6006	170	6455 173	15021	184			
5010 316 015 S	19073	157	PEUGEOT			8162 280	15049	179			
5010 316 155	19153	153						812 54 90	15041	183	
5010 316 158	19024	154				1420.52	7310	173	812 54 91	15040	183
5010 316 521	19060	152				1807 15	7305	172	812 54 92	15036	182
5010 316 522	19061	153				1846 16	7306	172	812 73 83	15035	182
5010 316 573	19147	152				3287 18	7307	172	812 74 23	15038	182
5010 316 591	19062	153				3287 24	7308	172	812 79 10	15034	182
5010 316 592	19063	153				3293 61	7307	172	813 8611	15012	179
5010 316 680	19025	152				3293 63	7309	172	8137 026	15048	182
5010 316 681	19026	152				3561 05	7301	172	816 0686	15006	179
5010 316 874	19013	156	5032.17	7311	173	816 9892	15007	180			
5010 316 876	19020	155	5220.01	7312	173	8161 345	15066	178			
5010 347 403	19074	164	5220.07	7303	173	818 88 85	15033	179			
5010 373 300	19083	161	5248 13	7300	172	819 0925	15018	184			
5010 383 545	19036	162	5248.14	7302	173	819 4600	15018	184			
5010 383 949	19065	166		7301-1	172	9315 6460	15024	184			
5010 383 950	19008	158		7304	173	9315 7125	15014	185			
5010 389 262	19080	164	IKARUS			9315 7126	15014	185			
5010 418 819	19114	159						9315 8251	15065	184	
5010 418 820	19111	159				3661	13001	176	9316 0223	15021	184
5010 460 056	19148	153				VR1675	13006	176	9316 0517	15018	184
5010 460 097	19098	157				3 96210 7832	13003	176	9316 0537	15018	184
5010 460 240	19112	152				70 00 3070 01	13002	176	9316 1938	15060	180
5010 460 241	19113	152				910 01 1401 000	13004	176	9316 3617	15032	180
5010 460 295	19091	153					13005	176	9319 1989	15046	184
5010 460 295	19149	153							9319 2004	15037	178
5010 460 351	19059	152							9319 2009	15017	185
5010 460 352	19023	152	04248 8722	15005	181	9319 2361	15023	181			
5010 467 526	19019	154	04249 3431	15003	181	9319 4023	15043	178			
5010 467 915	19077	164	04650 0022	15002	178	9319 4024	15044	180			
5010 497 724	19110	167	09316 1960	15031	181	9319 4024	15028	180			
5010 514 310	19088	155	09319 2618	15004	181	9319 4458	15009	181			
5010 552 266	19141	157	09319 2619	15003	181	9319 4978	15016	185			
5010 557 130	19067	159	09984 261	15022	183	9381 4617	15072	183			
5010 557 312	19086	166	2483 546	15045	185	9381 4618	15070	183			
5010 557 313	19042	165	2520 448	15029	180	9381 7505	15069	183			
5010 557 314	19043	165	2521 482	15042	180	9381 9387	15063	182			
5010 557 315	19027	165	4100 6350	15010	179	9843 1946	15039	183			
5010 557 875	19102	159	4102 2094	15062	185		15001	178			
5010 571 207	19139	161	4102 6109	15052	178	BMC					
5010 630 625	19103	159	4103 6943	15061	182				2B 100 634	16001	188
5010 634 553	19011	158	4208 7542	15015	185				2K98417	16016	189
5010 634 554	19007	158	4208 8621	15053	178				2K98418	16017	189
5430 041 078	19094	161	4253 5204	15013	181				52 RS 002907-2	16013	190
5516 010 769	19116	160	4253 5254	15064	184				52 RS 011732	16024	189
74 20 741 703	19079	165	4253 5781	15027	181				52 RS 011733	16025	189
7401 506 399	19105	162	4253 6523	15020	184				52 RS 011982	16015	189
7420 390 836	19101	158	4253 6526	15022	183				52 RS 011983	16014	189
7420 442 252	19035	162	4253 6964	15015	185				52 RS 013869	16027	191
7420 796 970	19120	153	4253 8439	15024	184	53 RS 200 211	16006	188			
7420 796 971	19120	153	4254 1021	15022	183	53 RS 200317	16023	189			
7420 829 503	19078	165	4503 320	15019	184	53 RS 200318	16022	189			
7420 873 195	19122	167	4614 631	15020	184	53 RS 201 507	16010	188			
7421 051 052	19081	164	4622 213	15020	184	53 RS 201 508	16011	188			
7421 271 207	19032	156	4639 052	15020	184	53 RS 201 696	16001	188			
7421 483 476	19103	159	4682 902	15021	184	53 RS 700172	16003	190			
748 512 63 12	19151	162	469 8110	15046	184	53 RS 700318	16002	191			
	19072	157	471 5638	15011	179	57 RS 308 894	16004	190			
			473 8950	15046	184	7 K 68828	16005	190			
			4765 836	15019	184	7B79908	16002	191			
			479 2127	15071	183	7K58981	16012	191			
			480 3933	15046	184	9P 914 908	16004	190			
			5003 54985	15030	179	A2K55894	16021	188			
			50033 6108	15008	179						
MITSUBISHI-MARATHON											
03467 52000	6002	170									
03467 63000	6003	170									
14555 38101	6007	170									
14855 81200	6004	170									



ORIGINAL REFERENCE CROSS LIST

OEM NO	HD NO	PAGE	OEM NO	HD NO	PAGE	OEM NO	HD NO	PAGE
C3903745	16018	188	0328125040	11144	210	1350200101	11046	206
	16008	190	0328154140	11137	210	1350200102	11046	206
	16009	190	0328154180	11145	210	1350200103	11046	206
	16026	191	0331097300	11057	209	1350200104	11047	206
	16028	190	0332034510	11138	210	1350200201	11045	206
NEOPLAN			0334014200	11147	211	1447003700	11058	220
0103 203 00	17003	194	0334015370	11169	211	3230100204	11042	208
0705 505 04	17002	194	0334105020	11150	211	3230200101	11064	209
0801 550 19	17005	194	0334105040	11167	211	3268004600	11049	207
0801 550 20	17008	194	0334105050	11136	211	3434301800	11074	215
0801 550 33	17001	194	0308446220	11171	213	4177000800	11050	220
0801 550 37	17007	194	0511393030	11015	216	4177301000	11026	220
0801 550 38	17006	194	0517465130	11174	221	4177301600	11015	216
0821 924 00	17010	194	0537007430	11175	221	4177301800	11075	218
0827 566 11	17009	195	0585700040	11177	212	4177302600	11124	216
1101 3547	17002	194	0585700180	11178	213	4230017600	11040	208
1101 4444	17011	195	0585700200	11158	212	4337200801	11076	219
1101 5964	17009	195	086502	11179	208	14-22617	11008	217
1101 5972	17004	195	0908446110	11052	214	21208093	11020	216
SETRA			0908446120	11182	214	21215601R	11025	219
1 792 331 500 4	18007	198	0908446350	11053	213	2210000Z	11012	218
179 23 11 180 04	18012	199	0908446360	11051	213	3317000400SMB	11073	214
4 771 160 000	18016	199	0908446390	11183	214	4177302800	11063	215
4 771 194 000	18009	199	0980102100S	11055	214	611 5000X	11031	219
4 771 213 000	18014	199	0980102110S	11054	214	6127000 M	11014	217
4 771 214 000	18002	198	0980102910	11184	215	82 412 02 90 5	11022	217
4 771 228 000	18017	199	0980106240	11185	214	8241000421	11020	216
4 771 318 000	18001	198	0980106870	11165	213	A8360	11012	218
4 771 325 000 0	18015	199	0980106920	11162	213	AXL112	11072	207
4 771 347 000	18004	198	0980107760	11159	212	CF 150 218	11008	217
4 771 449 000	18008	198	0980107800	11160	212	CF152643	11026	220
4 771 457 000 C	18010	199	50364 0	11026	220	CF152746	11022	217
4 771 475 000 C	18001	198	503624	11001	217	IT8253	11026	220
4 771 476 000D	18002	198	506242	11026	220	KZ1006	11089	220
4 771 477 000	18003	198	750841	11020	216	KZ1008	11090	220
8 226 232 066	18005	198	5300441	11008	217	KZ1010	11090	220
8 226 232 066 O	18005	198	14994568	11007	218	KZ1012	11089	220
8 226 296 070	18006	198	15213430	11070	207	P6040	11026	220
TRAILER PARTS			15220224	11061	207	P9045	11025	219
0203159800	11082	219	15224821	11061	207	P9460	11025	219
0203169000	11025	219	21011745	11013	217	S9460	11025	219
0203169800	11032	219	21016723	11039	208	SK0010-097	11188	204
023160600	11034	219	21020676	11001	217	SK001009720	11086	204
0203142400	11135	206	21202104	11006	217	SK1259	11029	202
0203160100S1	11037	212	21204602	11039	208	SK1259+ SK2105-25	11056	202
0203160500	11020	216	21209990	11071	208	SK1489	11190	203
0203160500S	11038	214	21222609	11022	217	SK1489-Z	11085	203
0203160600	11022	217	21223742	11122	219	SK2105-15	11139	204
0203166500	11020	216	21224663	11066	217	SK2105-19	11083	202
0252208126	11134	212	21227205	11123	217	SK2105-25	11030	202
0311244300S	11069	207	212050200	11002	218	SK2121-50	11079	204
0311244340	11068	208	300114860	11170	210	SK2121-51	11084	203
0311390110	11005	219	311323010	11067	210	SK2121-52	11080	204
0311396040	11035	210	331008510	11173	221	SK2405-11	11210	202
0311398060	11035	210	331099010	11059	209	SK2405-12	11140	204
0314014010	5231	215	331099020	11120	209	SK2405-13	11196	203
0314014020	5231M	215	331099160	11060	209	SK2405-13 Z	11212	203
0314016010	5232	215	511397100	11016	216	SK2405-14	11141	203
0316435010	11168	211	585700030	11176	211	SK2405-14 Z	11211	203
0316435020	11166	211	1072001800	11039	208	SK2421-56	11142	205
0318120080	11144	210	1072001801	11039	208	SK2421-76	11191	205
0323225040	11144	210	1230010602	11186	208	SK2421-77	11192	205
0326014130	11148	212	1230010604	11041	208	SK2421-77 Z	11206	206
			1230100100	11065	209	SK2421-98	11199	206
			1230100101	11065	209	SK3105-20	11213	220
			1230100203	11043	209	SK3105-92	11088	202